

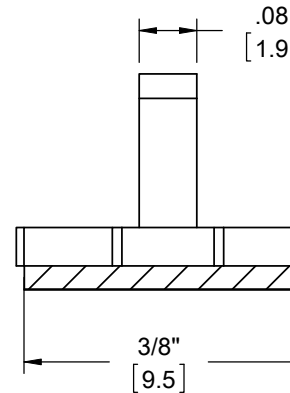
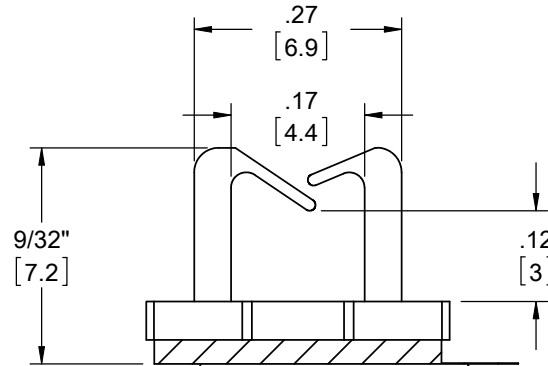
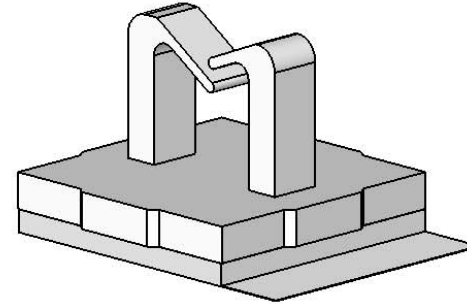
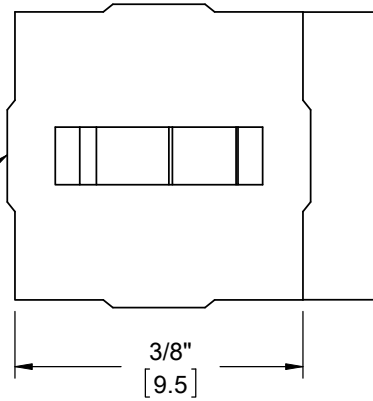
MATERIAL: NYLON 6/6 UL
94 V-2 (RMS-01).
COLOR: NATURAL.
PART NO.

MATERIAL: NYLON 6/6 UL
94 V-0 (RMS-19).
COLOR: NATURAL.
PART NO.

MWSB-1-01A-RT

MWSB-1-19A-RT

THESE BUMPS MAY NOT
APPEAR ON ALL PARTS (4 PLACES)



1/32" [0.8] THICK,
DOUBLE ADHESIVE TAPE

TYPICAL RELEASE
TAB LOCATION

NOTES:

1. TAPE: ACRYLIC ADHESIVE TAPE (RMS-15).

TITLE: MICRO WIRE SADDLE ON BASE				DWG IN IN [MM]	
CREATED USING SOLIDWORKS	FILE #: MWSB1	DWN: SK	APP: RT	FINAL	
TOLERANCES UNLESS NOTED .XX=±.010 .XXX=±.005 FRAC.=±1/64 ANG.=±1°	SHEET: 1 OF 1	SHEET SIZE: A	DT: 01/14/09	CHKD: DZ	PART #
RE: RICHCO, INC.	RICHCO, INC. ENG@RICHCO-INC.COM (773) 539-4060		SEE TABLE		PRINT TYPE CA

F	SEE CO 200308 FOR CHANGES	SK	01/16/09
-	SEE ENGINEERING FOR REV A-E	-	----
REV.	DESCRIPTION	ENGR.	DATE