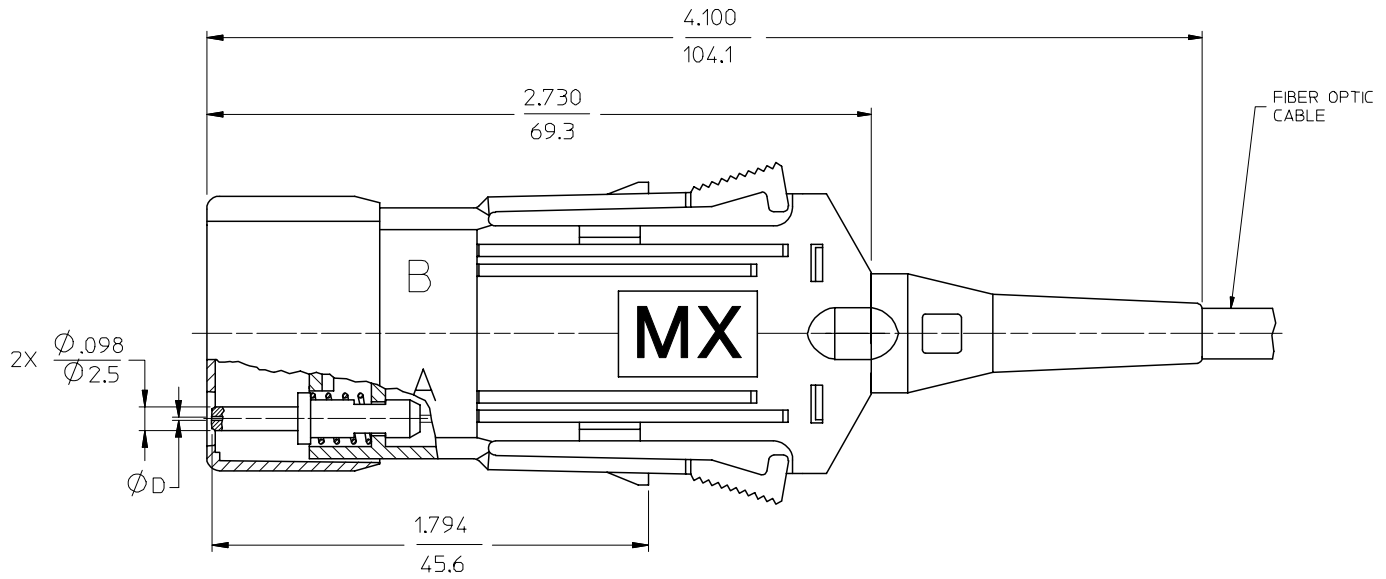
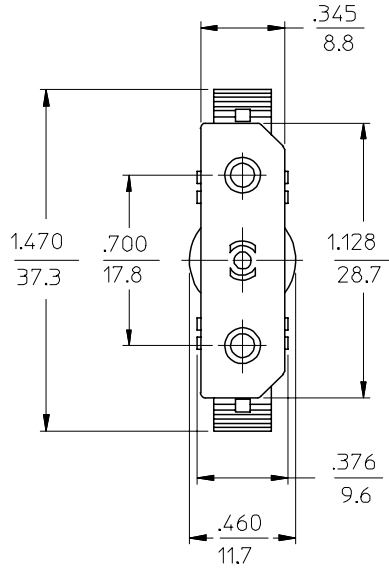


P/N of CONNECTOR	∅D (μm)	MATERIAL of FERRULE	TYPE of CABLE
106040-0000	127	Zr PLUS	∅4.2 mm
106040-0100			∅4.8 mm
106040-0200			ZIPCORD
106040-3000	128	Zr	∅4.2 mm
106040-3100			∅4.8 mm
106040-3200			ZIPCORD



ENTER DESCRIPTION EC NO: MF2006-0283 DRWN:PGIBLIN 2005/11/28 CHKD: 2005/11/28 APPR:IGUMIN 2005/11/28	QUALITY SYMBOLS ▽=0 ▽=0	GENERAL TOLERANCES (UNLESS SPECIFIED)		DIMENSION STYLE	SCALE	DESIGN UNITS	THIRD ANGLE PROJECTION	
		mm	INCH	IN/MM	2:1	INCH		
		4 PLACES ±---	±---	DRAWN BY	DATE	TITLE		
		3 PLACES ±---	±---	PGIBLIN	2005/10/26	ESCON CONNECTOR		
2 PLACES ±---	±---	CHECKED BY	DATE	APPROVED BY				
1 PLACE ±---	±---	ANGULAR ±1/2°		DATE		MOLEX INCORPORATED		
DRAFT WHERE APPLICABLE MUST REMAIN WITHIN DIMENSIONS		MATERIAL NO.	DOCUMENT NO.		SHEET NO.			
		SEE TABLE		SD-106040-XX00		1 OF 01		
		SIZE	THIS DRAWING CONTAINS INFORMATION THAT IS PROPRIETARY TO MOLEX INCORPORATED AND SHOULD NOT BE USED WITHOUT WRITTEN PERMISSION					
		B						