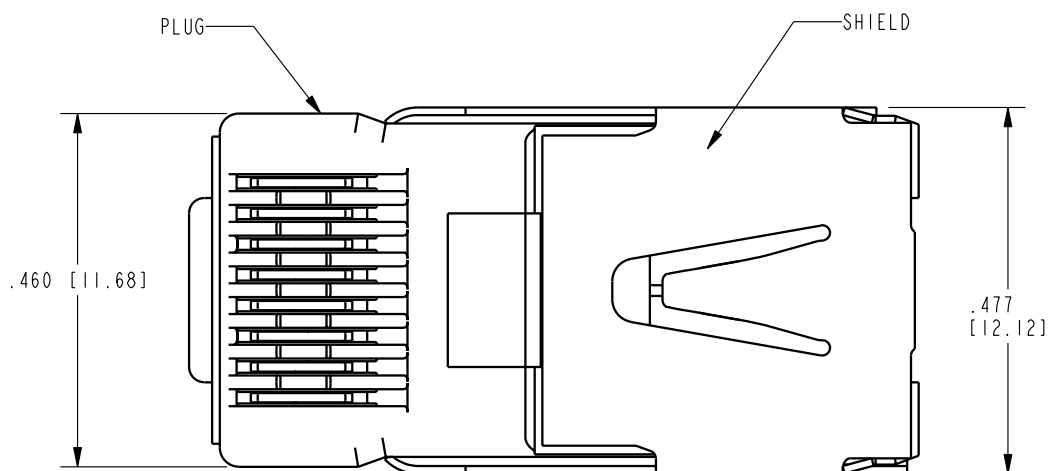
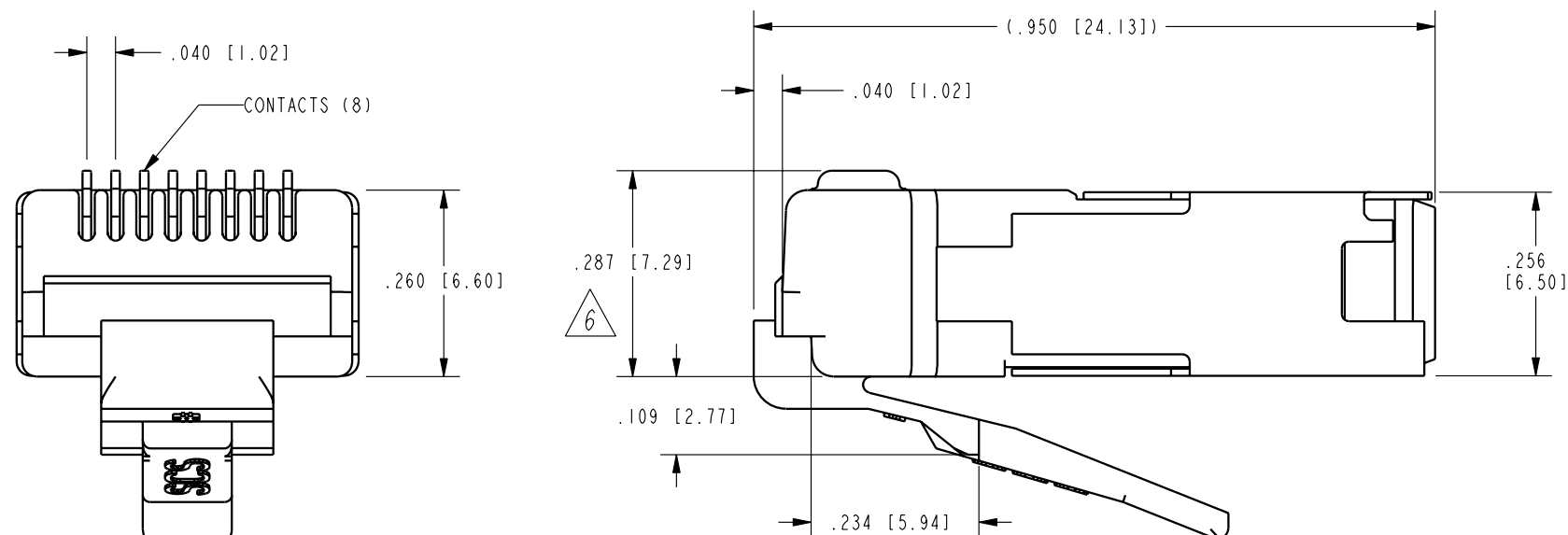


| DATE | REV. | ECN | APP'D BY |
|---------|------|------|----------|
| 1-23-06 | A1 | 7441 | JM |
| 8-21-09 | A2 | 8804 | TRM |
| | | | |
| | | | |

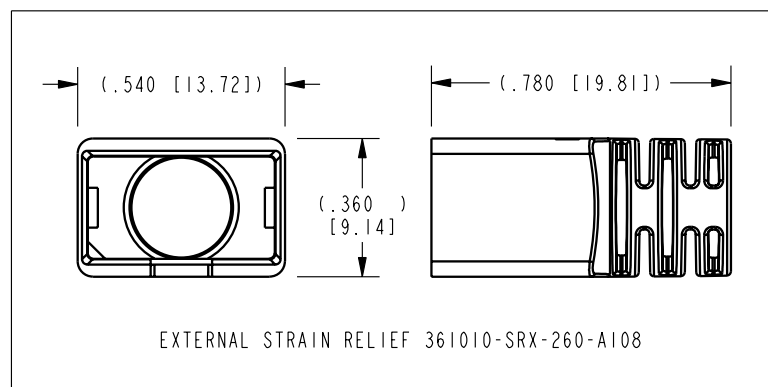
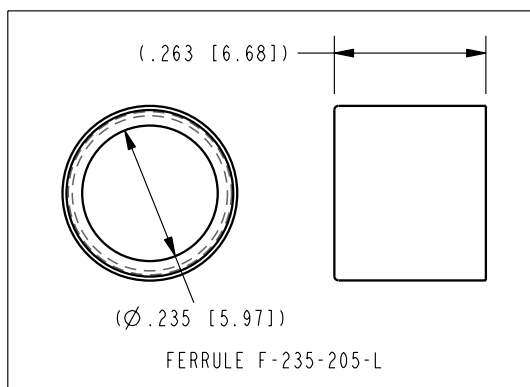


SHOWN IN ASSEMBLED STATE



- NOTES:
- 1- PLUG KIT CONSISTS OF:
PRE-INSERTED PLUG HOUSING & SHIELD
STRAIN RELIEF
FERRULE
 - 2- MATERIALS:
FRONT HOUSING PLASTIC: CLEAR POLYCARBONATE, UL 94-V0
STRAIN RELIEF: BLACK LEXAN, UL 94-V0
SHIELD: TIN PLATED BRASS
CONTACTS: PHOSPHOR BRONZE, SLECTIVE GOLD PLATING
FERRULE: TIN PLATED BRASS
 - 3- CONTACTS TERMINATE SOLID OR STRANDED CONDUCTORS BETWEEN
.037 [0.94] TO .042 [1.07] OUTSIDE DIAMETER OF INSULATION.
 - 4- PRODUCT SPECIFICATION: PR026-01
 - 5- DIMENSIONS AND TOLERANCES COMPLY WITH FCC/CFR 47, PART 68.
 - 6 TERMINATED PLUG HEIGHT: .237 [6.02] ±.005 [0.13]

| | | |
|---------|-----------------------------------|--------------|
| BULK | 50 MICRO-INCHES [1.27um] | SS-37200-001 |
| PACKAGE | CONTACT PLATING IN MATING AREA | PART NUMBER |



THIRD ANGLE PROJECTION

DO NOT SCALE DRAWING
DRAWING IS SUBJECT TO
CHANGE WITHOUT NOTICE

DIMENSIONS: INCHES [METRIC]

UNLESS OTHERWISE SPECIFIED
TOLERANCES ARE ±.005 [0.13]
ANGLES ARE ±1°

SHEET NO. 1 OF 1

Bel Stewart Connector

11118 Susquehanna Trail South
Glen Rock, PA 17327-9199
(717) 235-7512 Fax: (717) 235-7954 <http://www.stewartconnector.com>

TITLE: 8 POSITION/ 8 CONDUCTOR UNIBODY SHIELED PLUG

THIS DRAWING AND THE SUBJECT MATTER SHOWN THEREON ARE CONFIDENTIAL AND THE PROPRIETARY PROPERTY OF BEL STEWART CONNECTOR AND SHALL NOT BE REPRODUCED, COPIED, OR USED IN ANY MANNER WITHOUT PRIOR WRITTEN CONSENT OF BEL STEWART CONNECTOR. THE SUBJECT MATTER MAY BE PATENTED OR A PATENT MAY BE PENDING.

| | | | |
|----------|----------|------|---------|
| DRN BY: | DAB | DATE | 9-8-03 |
| APPD BY: | RGC | DATE | 9-11-03 |
| DWG. NO. | CT370044 | REV. | A2 |