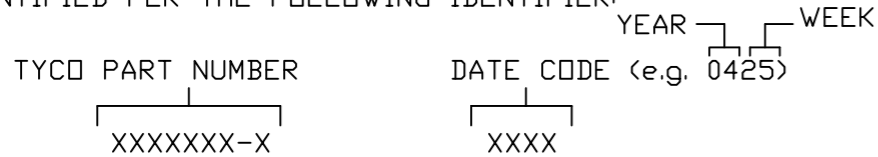


This drawing involves proprietary design rights of Tyco Electronics Corporation, and all design, manufacture, reproduction, use and sale rights regarding the same are expressly reserved. It is submitted for a specific purpose and the recipient by accepting this drawing, assumes custody and control and agrees to take reasonable precautions; (a) that this drawing will not be copied and reproduced, in whole or in part, or its contents revealed in any manner, or to any person except to meet the purpose for which it was delivered and (b) that any special features peculiar to this design will not be incorporated in other projects without the expressed written permission of Tyco Electronics Corporation.

REVISIONS			
EC	REV	DESCRIPTION	DATE
CPR	A	NEW RELEASE	11/22/05

7. ITEM PROVIDED TO THIS SPECIFICATION TO BE PERMANENTLY IDENTIFIED PER THE FOLLOWING IDENTIFIER:



6. REFERENCE DIMENSION (X.XX) IS WITHOUT TOLERANCE AND USED FOR INFORMATION ONLY.

5 MOUNTING HARDWARE: TO BE ORDERED SEPARATELY. REFERENCE SHOULDER SCREW PN 1650598-1.

4 PCB TAIL PIN CONTACTS INSTALLED IN THE CONNECTOR ASSEMBLY.

3. FINISHES:

- SIZE #16 CONTACTS: SILVER PLATED.
- SIZE #20 CONTACTS: GOLD PLATED.
- COMPLIANT PRESS FIT: TIN/LEAD PLATED.
- CROWN BANDS: GOLD PLATED.

2. MATERIALS:

- HOUSINGS: THERMOPLASTIC, GLASS REINFORCED, UL94V-0 FLAMMABILITY RATED, COLOR-BLACK.
- PIN CONTACTS: TELLURIUM COPPER ALLOY.
- SOCKET CONTACTS: LEAD COPPER.
- COMPLIANT PRESS FIT: PHOSPHOR BRONZE COPPER ALLOY.
- CROWN BANDS: BERYLLIUM COPPER.
- RETENTION CLIPS: BERYLLIUM COPPER OR STAINLESS STEEL.

1. PART NUMBER CHANGES AND/OR DESIGN CHANGES AFFECTING ITEM INTERCHANGEABILITY REQUIRE PRIOR ELCON APPROVAL AND AUTHORIZATION BY REVISION TO THIS DRAWING.

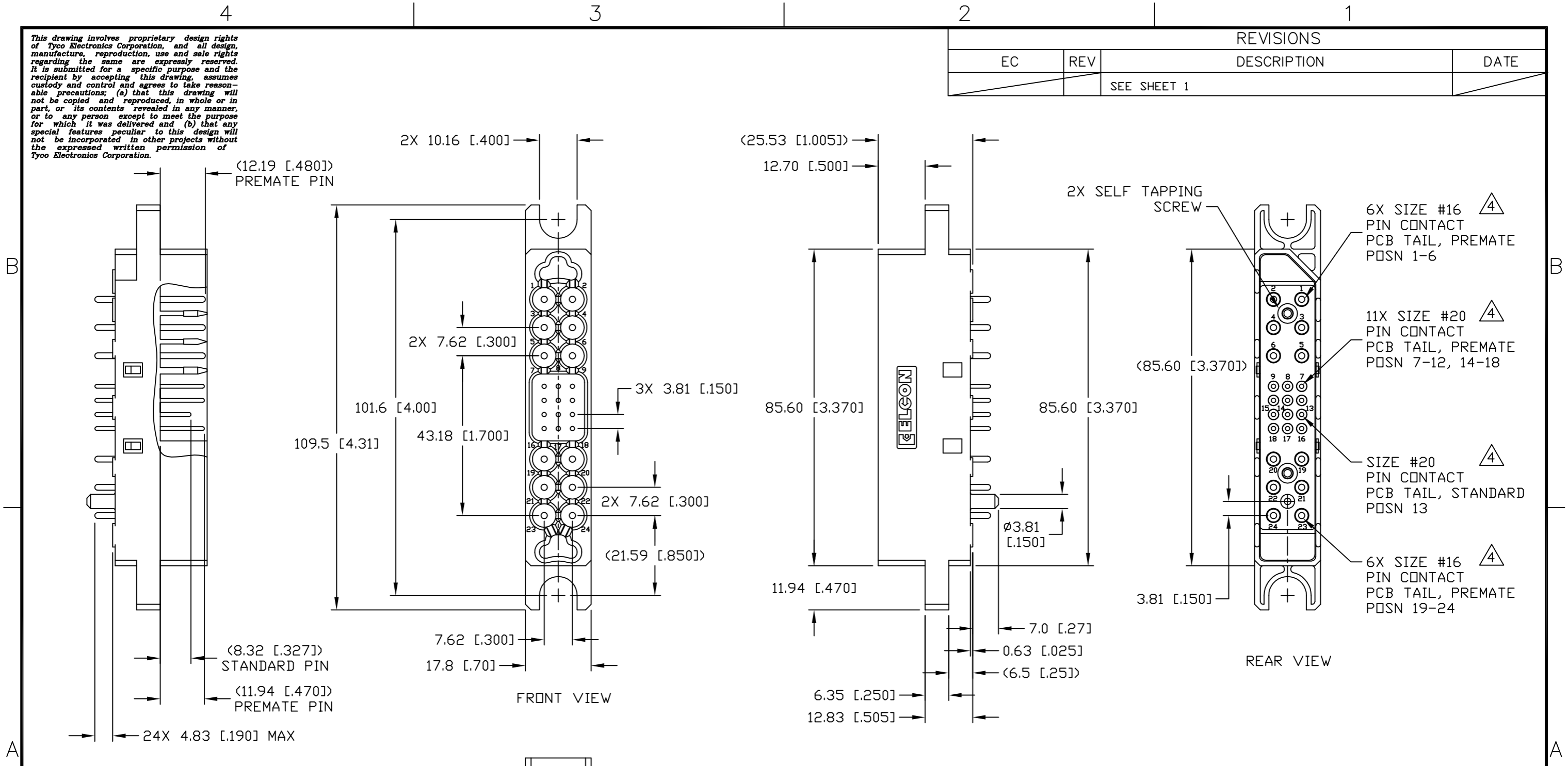
NOTES: UNLESS OTHERWISE SPECIFIED

TABLE - PIN CONNECTOR PN 6643747-1			
PART NUMBER	DESCRIPTION	POSITION	QTY
1648686-1	HOUSING, PIN, FRONT	N/A	1
1648687-1	HOUSING, PIN, REAR INSERT	N/A	1
1650483-1	RETENTION CLIP, #16	1-6, 19-24	12
1650484-1	RETENTION CLIP, #20	7-18	12
1766841-1	SCREW, SELF TAPPING, Ø2.5 X 10.00mm LONG	N/A	2
1766223-1	CONTACT, PIN, #16, PCB TAIL, PREMATE	1-6, 19-24	12
1650065-1	CONTACT, PIN, #20, PCB TAIL, PREMATE	7-12, 14-18	11
1650283-1	CONTACT, PIN, #20, PCB TAIL, STANDARD	13	1

<p>THIRD ANGLE PROJECTION</p> <p>UNLESS OTHERWISE SPECIFIED DIMENSIONS ARE IN METRIC [INCHES]</p> <p>TOLERANCES</p> <p>ANGLES ± .5°</p> <p>DECIMALS</p> <p>.XX ± .25 [.010]</p> <p>.X ± .5 [.020]</p>	<p>MM OR MM [INCH]</p> <p>INCH</p>	<p>DRAWN</p> <p>MC CANT/M. ALIM</p>	<p>DATE</p> <p>11/22/05</p>	<p>tyco Tyco Electronics Corporation Electronics Menlo Park, Ca 94025</p>		
	<p>CHECKED</p>	<p>APPROVED</p>	<p>TITLE</p> <p>CONNECTOR, PIN P12S12 MINI DRAWER PN 6643747-1</p>	<p>SIZE</p> <p>B</p>	<p>DWG NUMBER</p> <p>C = 6643747</p>	<p>REV.</p> <p>A</p>
	<p>APPROVED</p> <p>D. CHAU</p> <p>11/22/05</p>	<p>DCA APPROVED</p> <p>M. ALIM</p> <p>11/22/05</p>	<p>ACAD FILE NUMBER</p> <p>C6643747A.DWG</p>	<p>DWG SCALE</p> <p>1=1</p>	<p>SH</p> <p>1 OF 4</p>	

This drawing involves proprietary design rights of Tyco Electronics Corporation, and all design, manufacture, reproduction, use and sale rights regarding the same are expressly reserved. It is submitted for a specific purpose and the recipient by accepting this drawing, assumes custody and control and agrees to take reasonable precautions; (a) that this drawing will not be copied and reproduced, in whole or in part, or its contents revealed in any manner, or to any person except to meet the purpose for which it was delivered and (b) that any special features peculiar to this design will not be incorporated in other projects without the expressed written permission of Tyco Electronics Corporation.

REVISIONS			
EC	REV	DESCRIPTION	DATE
		SEE SHEET 1	

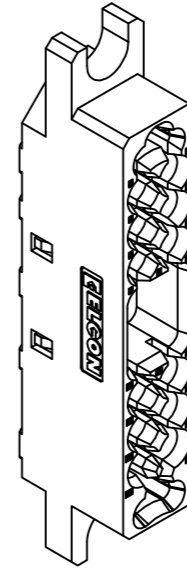
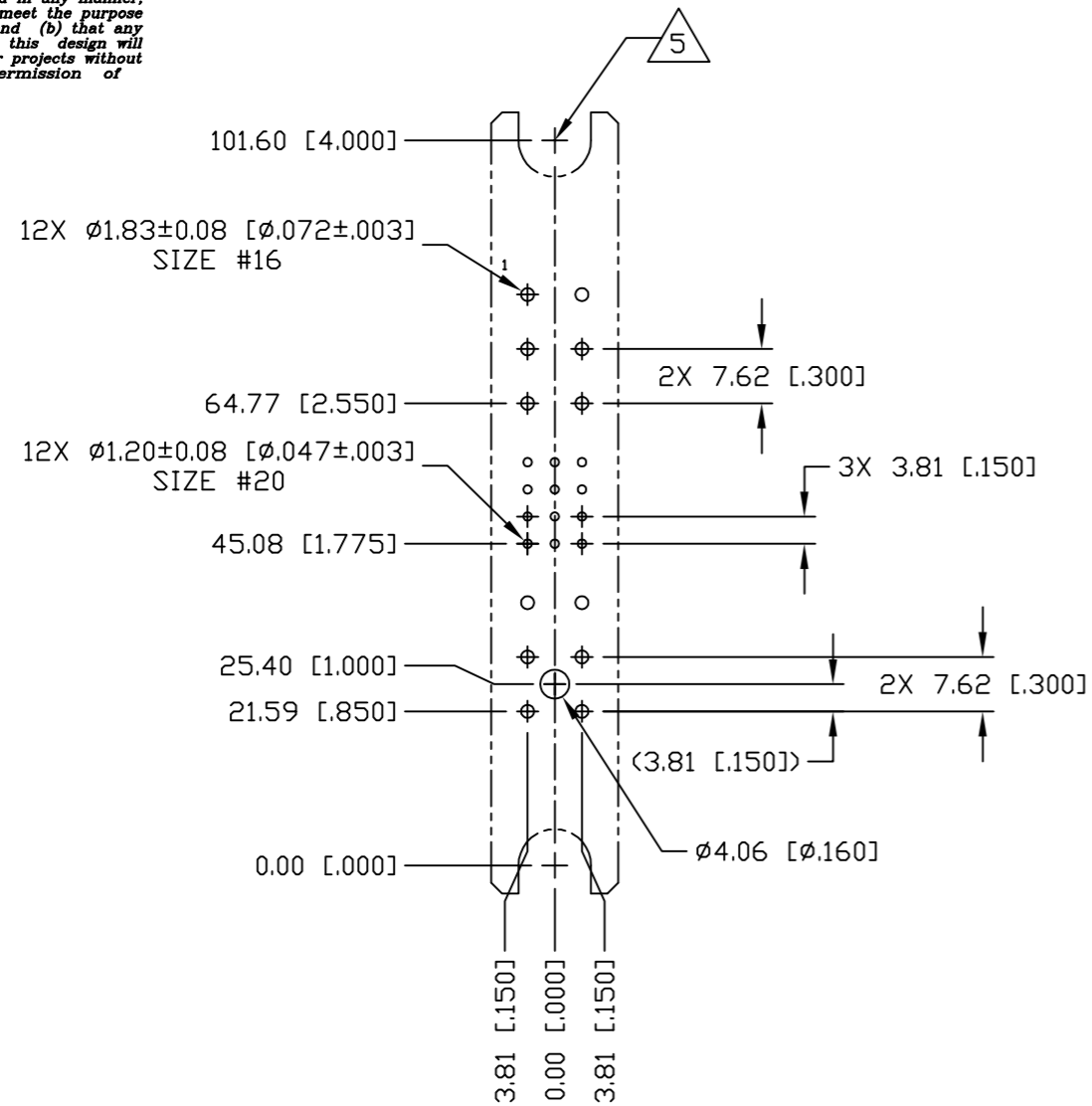


- 6X SIZE #16 ⁴ PIN CONTACT PCB TAIL, PREMATE POSN 1-6
- 11X SIZE #20 ⁴ PIN CONTACT PCB TAIL, PREMATE POSN 7-12, 14-18
- SIZE #20 ⁴ PIN CONTACT PCB TAIL, STANDARD POSN 13
- 6X SIZE #16 ⁴ PIN CONTACT PCB TAIL, PREMATE POSN 19-24

UNLESS OTHERWISE SPECIFIED DIMENSIONS ARE IN METRIC [INCHES] TOLERANCES ANGLES ± .5° DECIMALS .XX ± .25 [.010] .X ± .5 [.020]	DRAWN MC CANT/M. ALIM CHECKED	DATE 11/22/05	tyco Tyco Electronics Corporation Electronics Menlo Park, Ca 94025 ELCON	
	APPROVED			TITLE
	APPROVED			CONNECTOR, PIN P12S12 MINI DRAWER PN 6643747-1
	D. CHAU	11/22/05		SIZE DWG NUMBER REV.
DCA APPROVED			B C = 6643747 A	
M. ALIM	11/22/05			
ACAD FILE NUMBER	C6643747A.DWG		DWG SCALE 1=1 SH 2 OF 4	

This drawing involves proprietary design rights of Tyco Electronics Corporation, and all design, manufacture, reproduction, use and sale rights regarding the same are expressly reserved. It is submitted for a specific purpose and the recipient by accepting this drawing, assumes custody and control and agrees to take reasonable precautions; (a) that this drawing will not be copied and reproduced, in whole or in part, or its contents revealed in any manner, or to any person except to meet the purpose for which it was delivered and (b) that any special features peculiar to this design will not be incorporated in other projects without the expressed written permission of Tyco Electronics Corporation.

REVISIONS			
EC	REV	DESCRIPTION	DATE
		SEE SHEET 1	



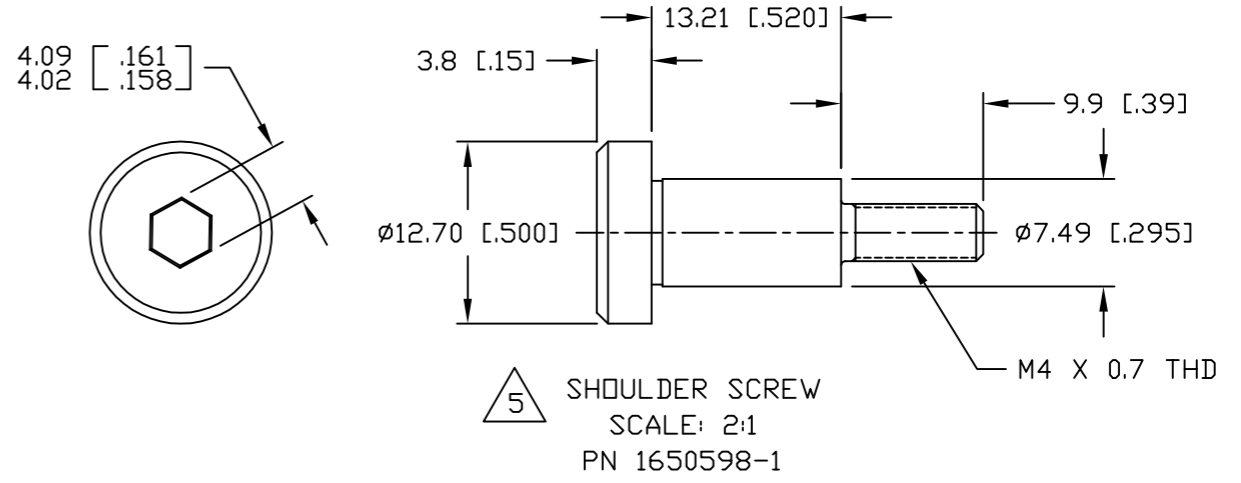
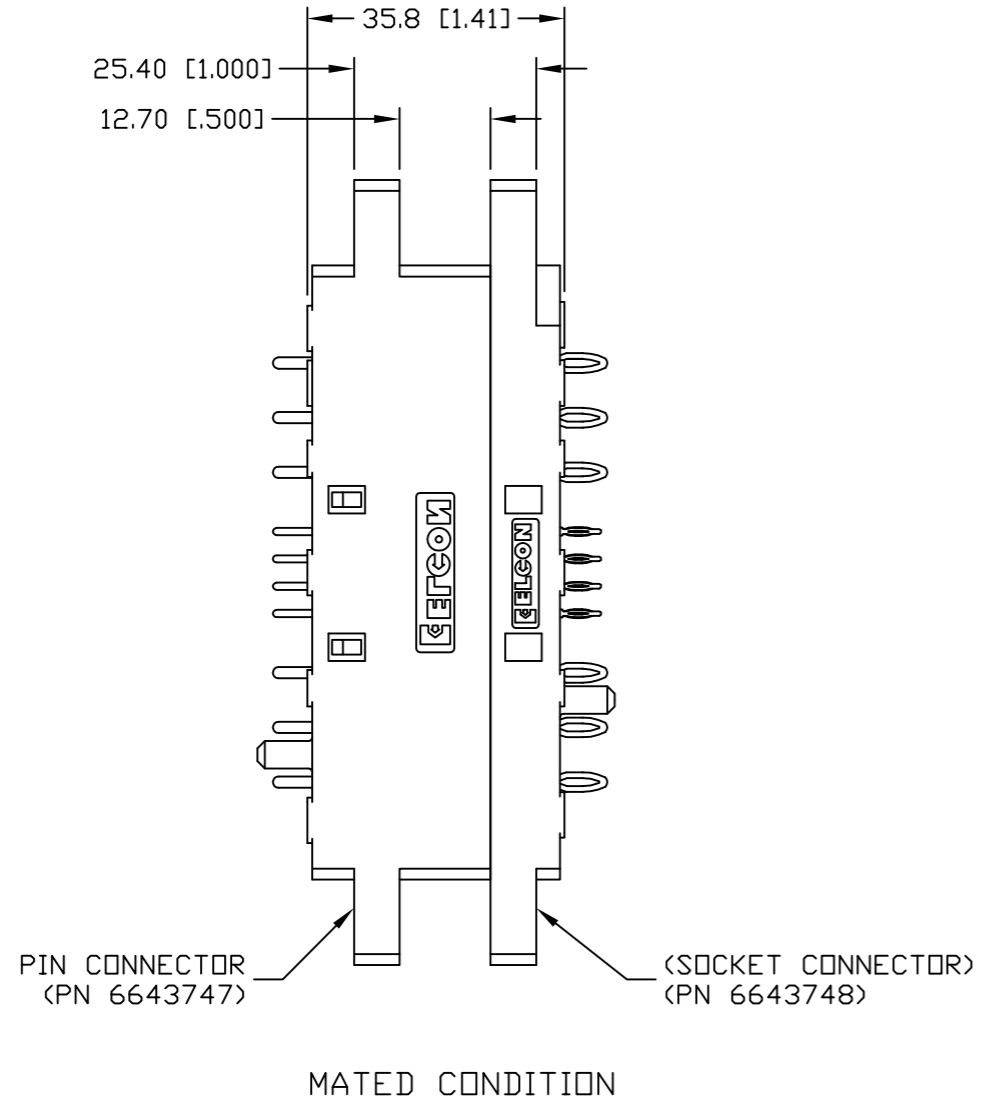
SUGGESTED PCB LAYOUT
VIEWED FROM CONNECTOR MOUNTING SIDE
PCBTAIL

SOLDER HOLE DIAMETERS ARE GIVEN AS AN INITIAL REFERENCE AND MAY NECESSITATE DIFFERENT FINISHED DIAMETERS TO FACILITATE SPECIFIC SOLDER REFLOW PROFILES

← MM INCH → OR MM [INCH] THIRD ANGLE PROJECTION UNLESS OTHERWISE SPECIFIED DIMENSIONS ARE IN METRIC [INCHES] TOLERANCES ANGLES ± .5° DECIMALS .XX ± .25 [.010] .X ± .5 [.020]	DRAWN MC CANT/M. ALIM	DATE 11/22/05	 Tyco Electronics Corporation Menlo Park, Ca 94025 		
	CHECKED	APPROVED	APPROVED	TITLE USER INFORMATION PCB LAYOUT PN 6643747-1	
	D. CHAU	11/22/05	SIZE B	DWG NUMBER C = 6643747	REV. A
	M. ALIM	11/22/05	ACAD FILE NUMBER C6643747A.DWG		DWG SCALE 1=1 SH 3 OF 4

This drawing involves proprietary design rights of Tyco Electronics Corporation, and all design, manufacture, reproduction, use and sale rights regarding the same are expressly reserved. It is submitted for a specific purpose and the recipient by accepting this drawing, assumes custody and control and agrees to take reasonable precautions; (a) that this drawing will not be copied and reproduced, in whole or in part, or its contents revealed in any manner, or to any person except to meet the purpose for which it was delivered and (b) that any special features peculiar to this design will not be incorporated in other projects without the expressed written permission of Tyco Electronics Corporation.

REVISIONS			
EC	REV	DESCRIPTION	DATE
		SEE SHEET 1	



← MM OR MM [INCH] INCH THIRD ANGLE PROJECTION UNLESS OTHERWISE SPECIFIED DIMENSIONS ARE IN METRIC [INCHES] TOLERANCES ANGLES ± .5° DECIMALS .XX ± .25 [.010] .X ± .5 [.020]	DRAWN MC CANT/M. ALIM CHECKED	DATE 11/22/05	 Tyco Electronics Corporation Menlo Park, Ca 94025
	APPROVED APPROVED D. CHAU DCA APPROVED M. ALIM	11/22/05 11/22/05	TITLE USER INFORMATION SHOULDER SCREW & MATED CONDITION PN 6643747-1
	ACAD FILE NUMBER C6643747A.DWG	DWG NUMBER B C = 6643747	REV. A
		DWG SCALE 1 = 1	SH 4 OF 4