

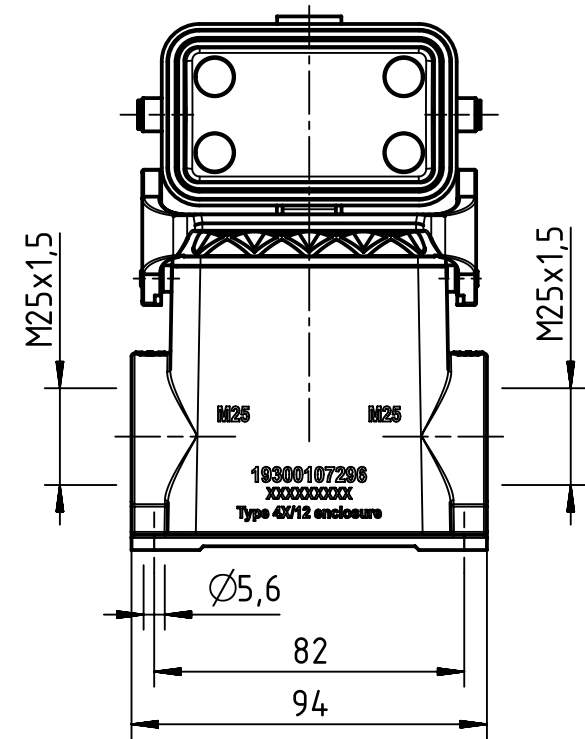
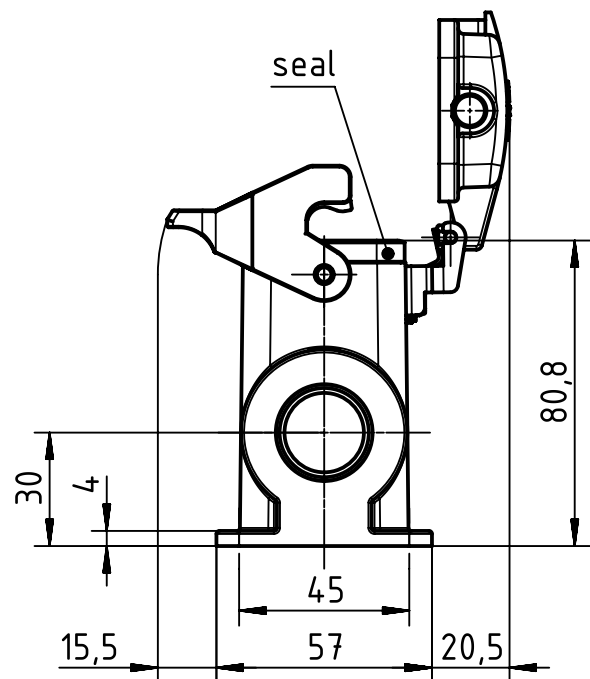
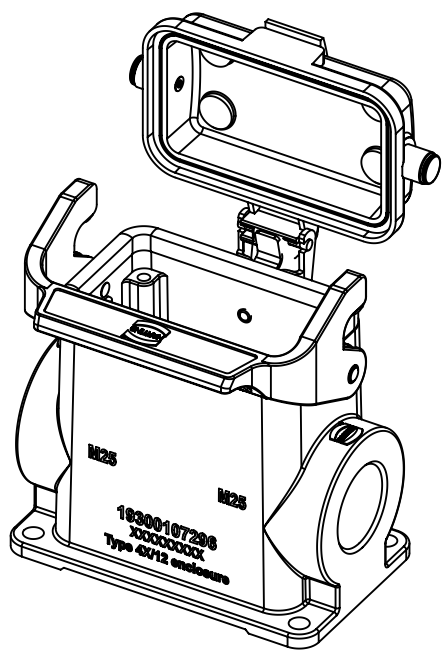
1 2 3 4 5 6


A

B

C

D



	All Dimensions in mm Original Size DIN A4		Scale 1:2	Free size tol.		Ref.
	All rights reserved Department EL PD		Created by SPRENB	Inspected by GERB	Standardisation GARSKE	Date 2019-12-04
HARTING Electric GmbH & Co. KG D-32339 Espelkamp			Title Han 10B-asg2-LB-K-M25 (Ak in Al)			Doc-Key / ECM-Nr. 100564669/UGD/004/C 500000161045
			Type TB	Number 19 30 010 7296		Rev. C Page 1/1