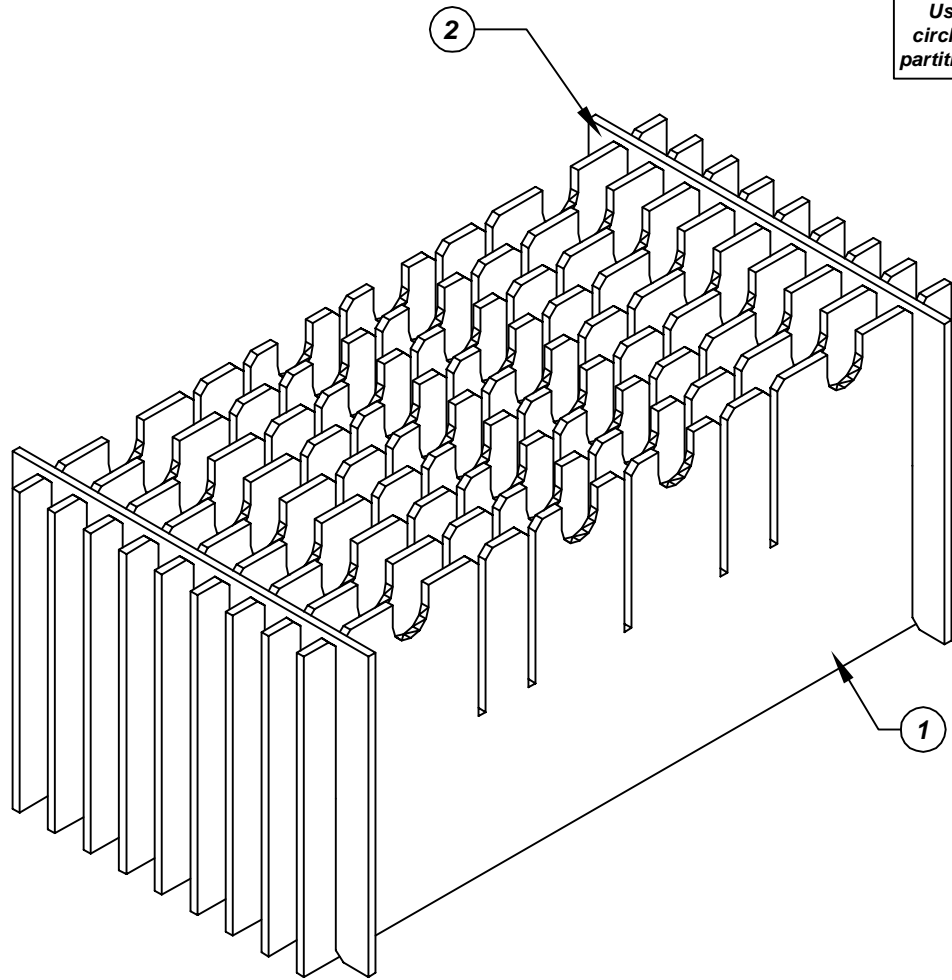
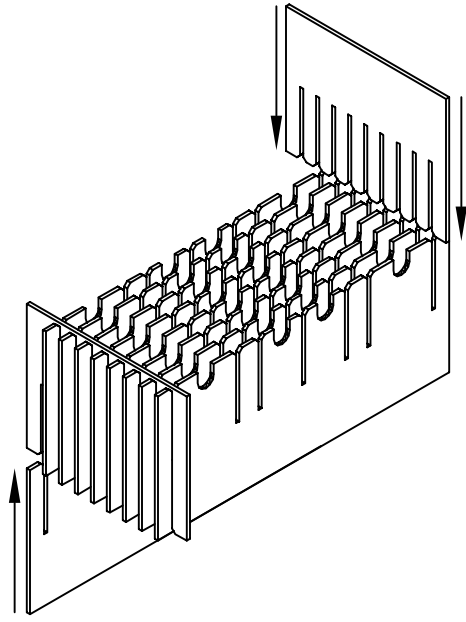
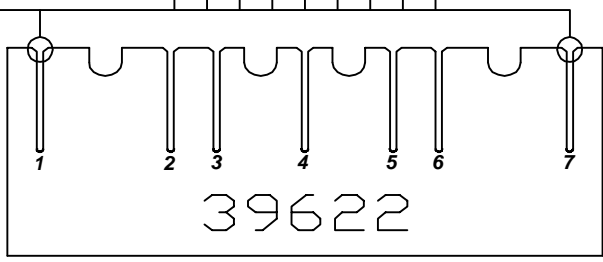
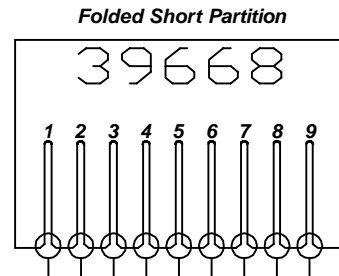


Assembly Instructions for - 37266



Use only the circled slots for partition assembly



Made in America

| | | | | |
|----------|-----------------|----------------------------------|---|-----------|
| F/N ① | Part # 39622 | Dimensions: 19-3/4" x 22-3/4" | Description: 404/440-LP Long Partition | Qty: 9 |
| F/N ② | Part # 39668 | Dimensions: 19-3/4" x 12-1/2" | Description: 440-SP Short Partition | Qty: 2 |

37266 - 10 Cell Inplant Handler Cell Size - 10" x 20-1/8" x 1"

Notes:
For use with the following storage container & lid:
37514 - Storage Container
37552 - Lid

PROTEKTIVE PAK
13520 MONTE VISTA AVENUE, CHINO, CA 91710
PHONE (909) 627-2578, FAX (909) 363-7331
ProtektivePak.com



DRAWING NUMBER
IPH-37266

DATE
Dec. 2007