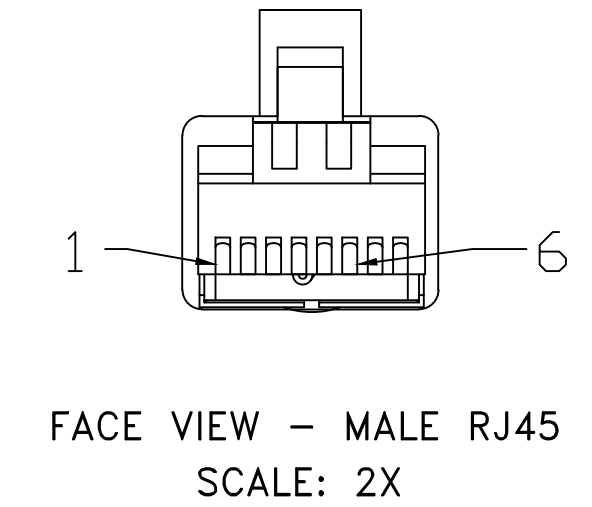
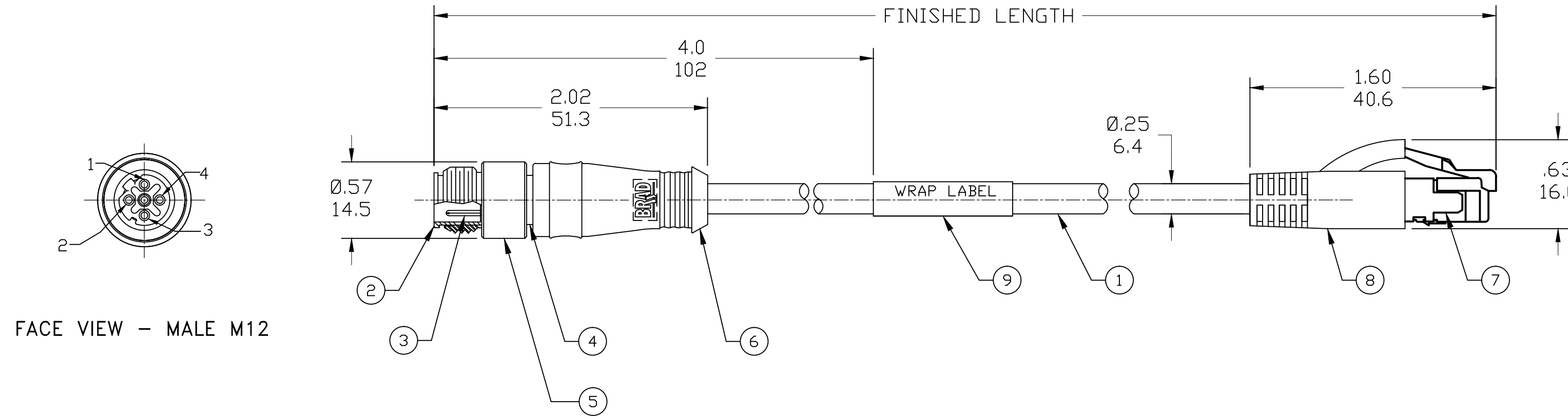


PART NO.	ENGINEERING NO.	FINISHED LENGTH
1201080404	E16A06005M050	5.0M [16'5"]
1201080405	E16A06005M100	10.0M [32'10"]
1201080406	E16A06005M150	15.0M [49'2"]

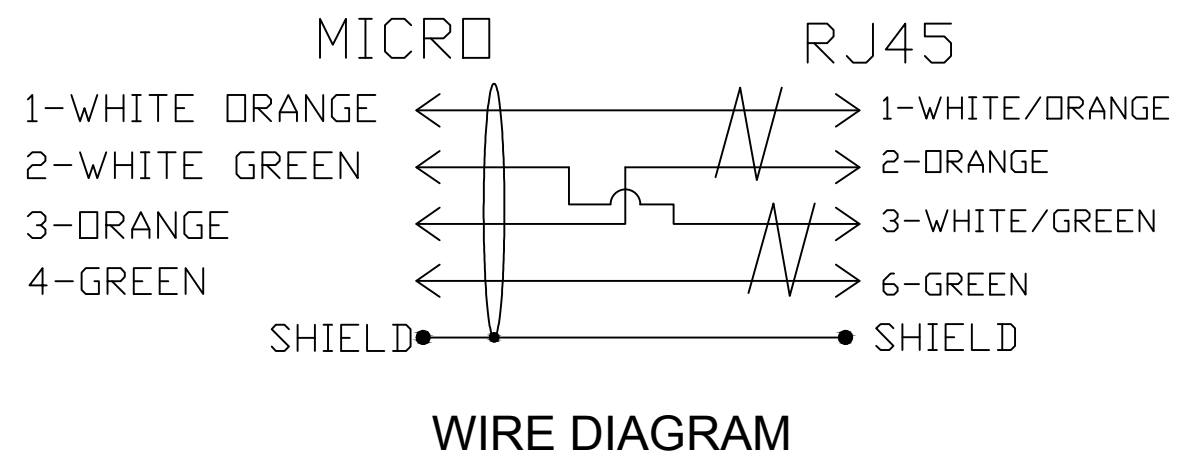
CABLE LENGTH TOLERANCES

>.3M [1FT]: +19mm-0 [+1.75in-0]
 .3 - .9M [1 - 3FT]: +44.5mm-0 [+1.75in-0]
 .9 - 1.8M [3 - 6FT]: +55.6mm-0 [+2.19in-0]
 1.8 - 3.7M [6 - 12FT]: +88.9mm-0 [+3.50in-0]
 3.7 - 7.3M [12 - 24FT]: +165.1mm-0 [+6.50in-0]
 7.3-14.6M [24 - 48FT]: +317.5mm-0 [+12.50in-0]
 14.6 - 30.5M [48-100FT]: +622.3mm-0 [+24.50in-0]
 OVER 30M [100FT] +2% OF FINISHED LENGTH



FACE VIEW - MALE M12

- NOTES:**
- MATERIAL: AS NOTED
 - FINISH: AS NOTED
 - ELECTRICAL:
VOLTAGE: 125V
CURRENT: 1.5A
 - TEMP RATING: -20° TO +75°C
 - PROTECTION: IP67 (WHEN MATED)
 - COUPLING THREAD: M12 X 1
 - UL CERTIFIED FILE: E200650
 - ALL DIMS ARE FOR REFERENCE UNLESS NOTED OTHERWISE



PART NUMBER LEGEND

E16A06005MXXX

FINISHED LENGTH:
 M006= 0.6 METER
 M010= 1 METER
 M100= 10 METER

ITEM	DESCRIPTION	MATERIAL	FINISH
9	WRAP LABEL	VINYL	BLACK/YELLOW
8	RJ-45 BOOT	PVC	BLACK
7	RJ-45 PLUG	POLYCARBONATE	CLEAR
6	OVERMOLD	PBT	GRAY
5	COUPLING NUT	BRASS	NICKEL PLATED
4	SHIELD HOUSING	BRASS	NICKEL PLATED
3	CONTACT PIN	COPPER ALLOY	GOLD PLATED
2	MALE INSERT, D-CODE	PUR	BLACK
1	CABLE, 2 PAIR, 26AWG, SHLD	TPE JACKET	TEAL

REVISED PER LATEST STD	EC NO: IPG2019-0171	DRWN: RSTONE 10/10/18	CH'KD: C CHRAST 2018/10/21	APPR: BWOODMAN2015/04/03	DESCRIPTION
QUALITY SYMBOL	▽=0	▽=0			

GENERAL TOLERANCES (UNLESS SPECIFIED)		DIMENSION STYLE IN/MM		SCALE NTS	DESIGN UNITS INCH	THIRD ANGLE PROJECTION
4 PLACES	±---	mm	INCH	GGUSTAFS	2015/03/24	M12 TO RJ45 CORDSET 4P MALE M12/RJ45 ST #26/4 TEAL TPE
3 PLACES	±---			CHECKED BY	DATE	
2 PLACES	±---			BARDEN	2015/05/29	MOLEX INCORPORATED
1 PLACE	±---			APPROVED BY	DATE	
ANGULAR ±---°		MATERIAL NO. SEE P/N CHART		DOCUMENT NO. SD-120108-078		SHEET NO. 1 OF 1
DRAFT WHERE APPLICABLE MUST REMAIN WITHIN DIMENSIONS		SIZE C		THIS DRAWING CONTAINS INFORMATION THAT IS PROPRIETARY TO MOLEX INCORPORATED AND SHOULD NOT BE USED WITHOUT WRITTEN PERMISSION		