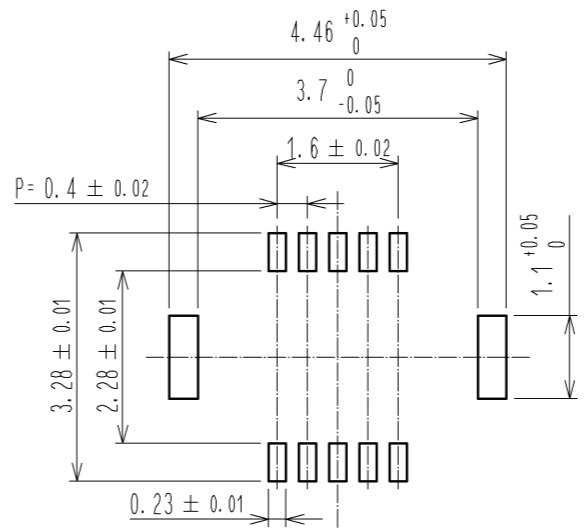
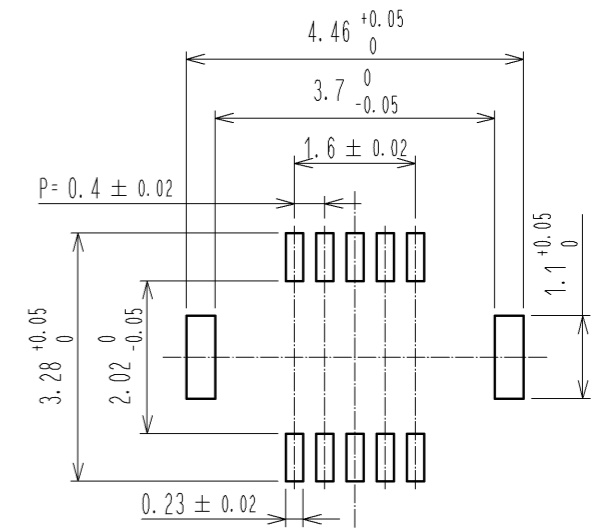


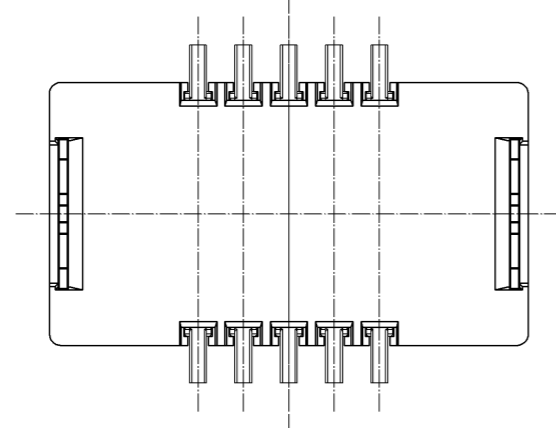
RECOMMENDED METAL MASK OPENING PATTERN



RECOMMENDED PATTERN

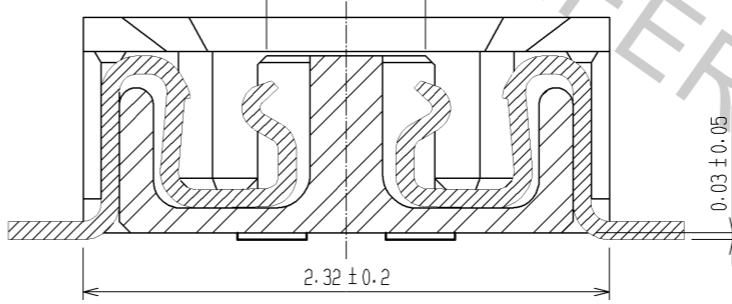


RECOMMENDED SOLDER PASTE THICKNESS: 120µm

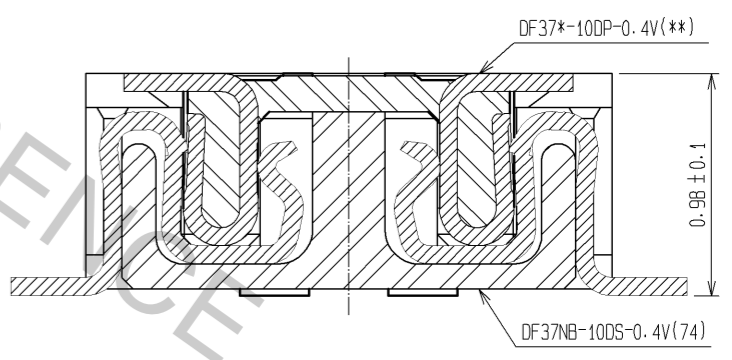


A-A

PICK AND PLACE AREA: 0.7 ± 0.2



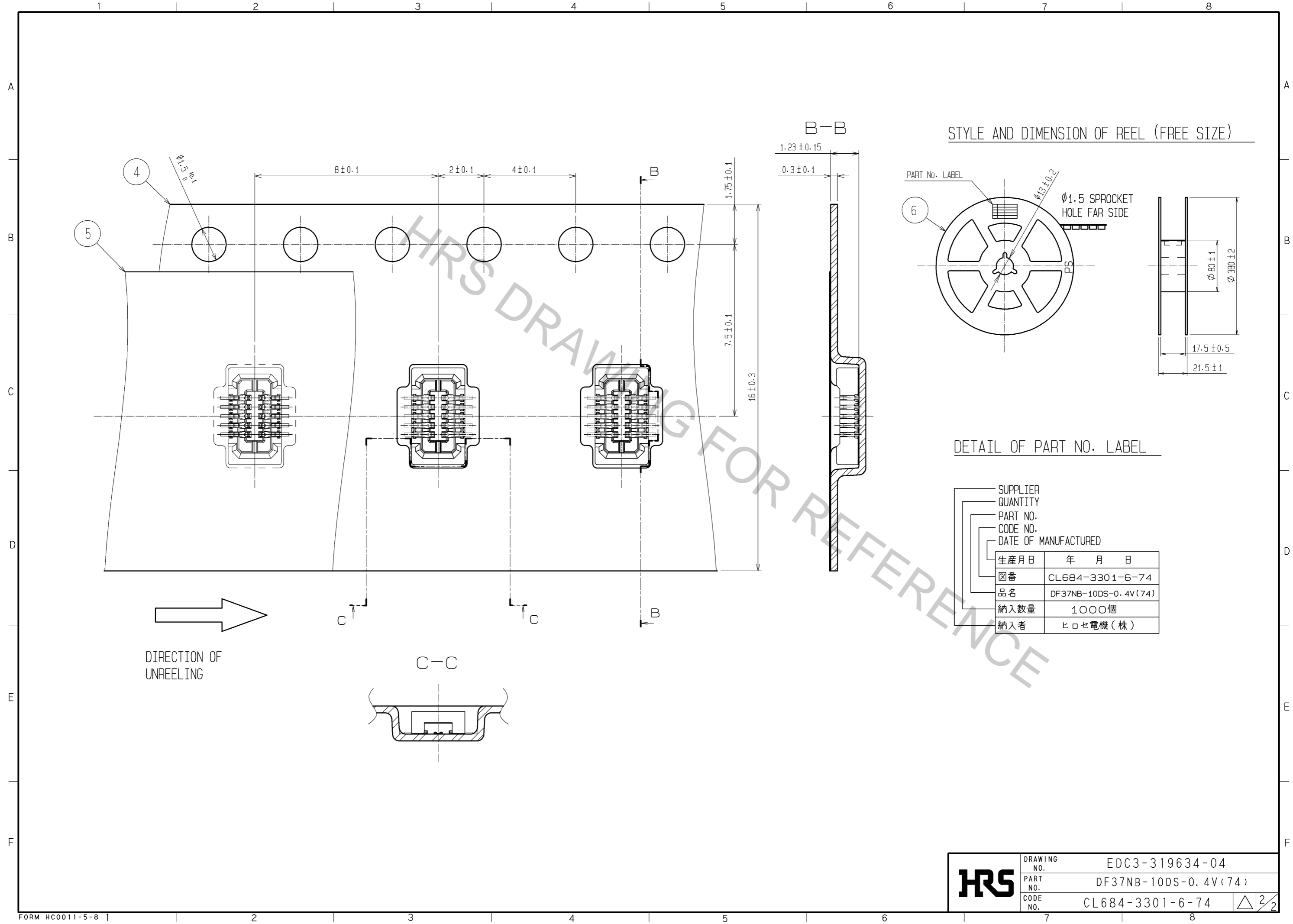
ENGAGEMENT FIGURE



- NOTE 1. ALL LEADS CO-PLANARITY SHALL BE 0.1 MAX.  
 2. PER REEL : 1000 CONNECTORS.  
 3. AT THE BEGINNING OF THE REEL, 100 mm AT MIN SHALL BE EMPTY POCKETS.  
 AT THE END OF THE REEL, 160 mm AT MIN SHALL BE EMPTY.  
 4 CONTACT PLATING SPECIFICATIONS.  
 CONTACT AREA : GOLD 0.1µm MIN.  
 SMT LEAD : GOLD 0.05µm MIN.  
 UNDERPLATING : NICKEL 1µm MIN.  
 (SURFACE : SEALING)  
 5 METAL HOLD DOWN PLATING SPECIFICATIONS.  
 MOUNTING AREA: GOLD 0.05µm MIN.  
 UNDERPLATING : NICKEL 1µm MIN.  
 6. PEEL FORCE OF COVER TAPE REFERS TO JIS C 0806.

3	PHOSPHOR BRONZE	5	6	PS	PLASTIC REEL (BLACK)			
2	PHOSPHOR BRONZE	4	5	POLYESTER	CLEAR(COVER TAPE)			
1	LCP	UL94V-0, BLACK	4	PS	CLEAR(EMBOSSED CARRIER TAPE)			
NO.	MATERIAL	FINISH, REMARKS	NO.	MATERIAL	FINISH, REMARKS			
UNITS	mm	SCALE	FREE	COUNT	DESCRIPTION OF REVISIONS	DESIGNED	CHECKED	DATE
APPROVED : KH. IKEDA		09.04.01		DRAWING NO.		EDC3-319634-04		
CHECKED : TS. MIYAZAKI		09.03.31		PART NO.		DF37NB-10DS-0.4V(74)		
DESIGNED : RT. SHIMIZU		09.03.16		CODE NO.		CL684-3301-6-74		
DRAWN : RT. SHIMIZU		09.03.16						

Apr.1.2017 Copyright 2017 HIROSE ELECTRIC CO., LTD. All Rights Reserved.



STYLE AND DIMENSION OF REEL (FREE SIZE)

DETAIL OF PART NO. LABEL

SUPPLIER	
QUANTITY	
PART NO.	
CODE NO.	
DATE OF MANUFACTURED	
生産月日	年 月 日
図番	CL684-3301-6-74
品名	DF37NB-10DS-0.4V(74)
納入数量	1000個
納入者	ヒロセ電機(株)

<b>HRS</b>	DRAWING NO.	EDC3-319634-04
	PART NO.	DF37NB-10DS-0.4V(74)
	CODE NO.	CL684-3301-6-74
		$\triangle$ 2/2