



## Part Number: DMC6018

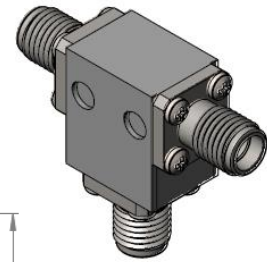
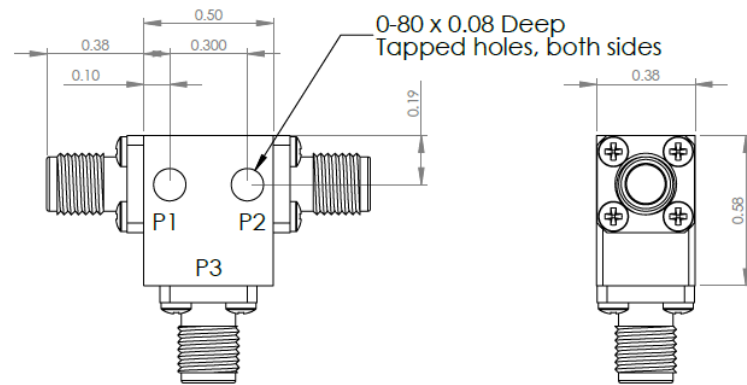
### Electrical Specifications

Frequency Range (GHz):	6.0 – 18.0
Isolation (dB):	14 MIN
Insertion Loss (dB):	1.0 MAX
VSWR:	1.5:1 MIN
Forward Power (W):	10 AVG 20 PK

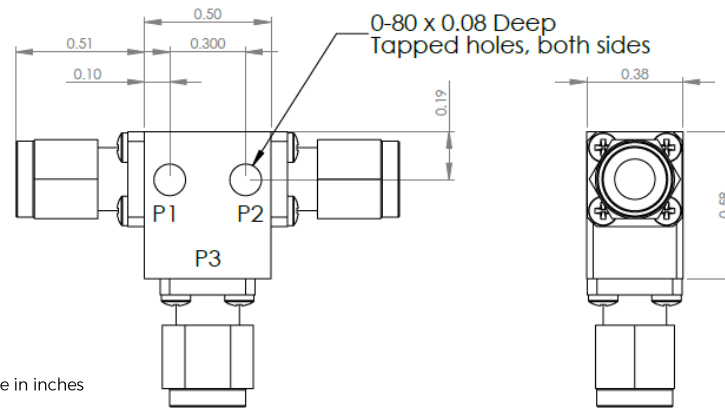
### Mechanical/Environmental Specifications

Connector Type:	SMA
Connector Body:	Passivated stainless steel
Connector Pin:	Gold plated copper
Load Body:	Brass
Magnetic Shunt:	Nickel plated CRS
Operational Temp:	0°C to +85°C
Weight (oz)	0.5 MAX

### DMC6018 Dimensions



### DMC6018-3 Dimensions



Dimensions are in inches  
Tolerance  
XX ±0.03  
XXX ±0.010

Type of Device	PN Suffix	Connector Configuration Input / Output	PN Example
Single Junction Circulator 3-Port Device Port 1 / Port 2 / Port 3	No Dash	Female / Female / Female	DMC6018
	-1	Male / Female / Female	DMC6018-1
	-2	Female / Male / Female	DMC6018-2
	-3	Male / Male / Male	DMC6018-3
	-4	Female / Female / Male	DMC6018-4
	-5	Male / Female / Male	DMC6018-5
	-6	Male / Male / Female	DMC6018-6
	-7	Female / Male / Male	DMC6018-7



## MEASURED DATA

Part Number: DMC6018, P1→P2, P3 Terminated with 50Ω, +25°C

