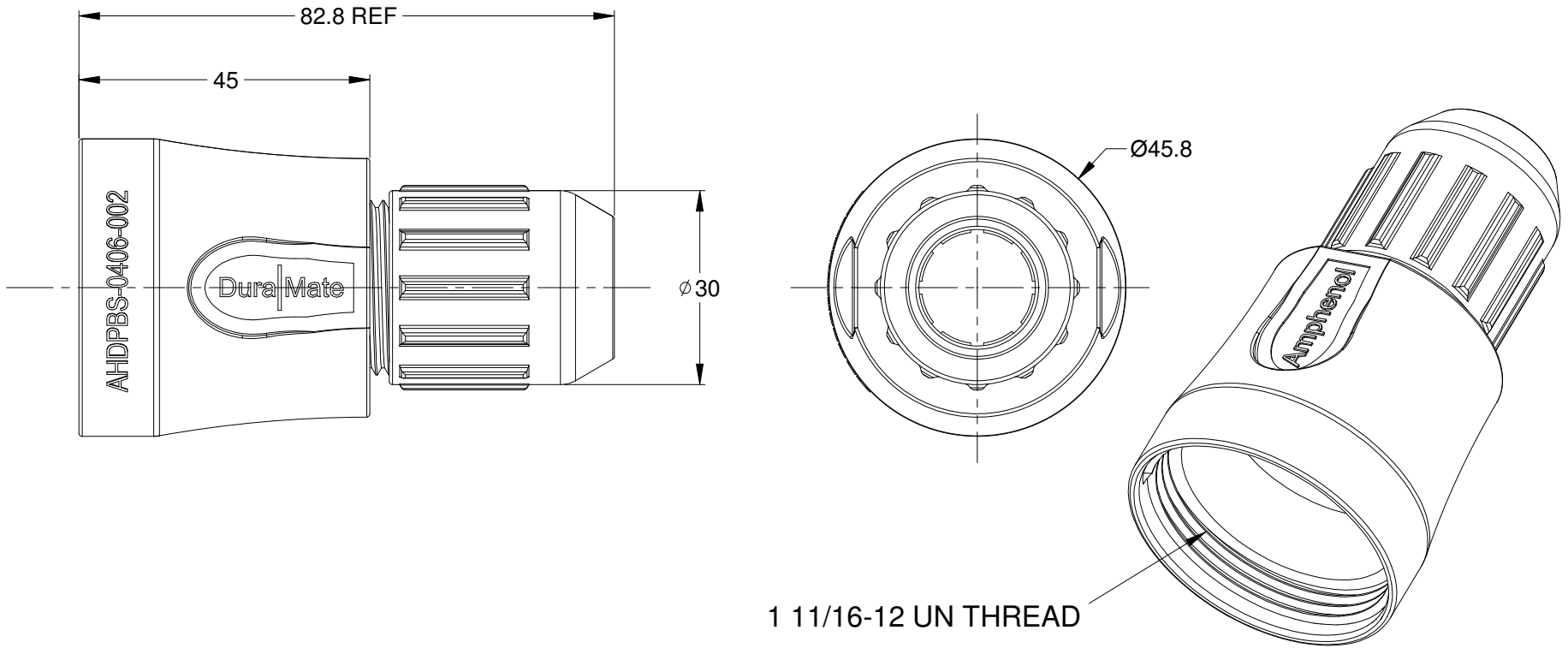


REVISIONS					
REV	ECO	DESCRIPTION	DATE	BY	APPR
A1		RELEASE NEW PRODUCT	16JUN15	ORION	TOMMY
A2		ADD PART NUMBER ON BACKSHELL	07NOV15	ORION	TOMMY



NOTES: UNLESS OTHERWISE SPECIFIED

1. MATERIAL: THERMOPLASTIC
2. COLORS: BLACK
3. RoHS COMPLIANT
4. USE WITH AHDP SERIES WTA MODIFICATION
5. CABLE SIZE:  $\phi 14.5 \sim \phi 18.0$
6. ALL DIMENSIONS ARE FOR REFERENCE USE ONLY.

AHDPBS-0406-002					
PART NUMBER		DESCRIPTION		ITEM	
QUANTITY	MATERIALS LIST				
UNLESS OTHERWISE SPECIFIED		SIGNATURES		DATE	
1) All dimensions are in metric(mm).		DRAWN: ORION.LI		16JUN15	
2) Tolerances are as follows:		CHECKED:			
1 PL DEC $\pm 0.30$		ENGINEER:			
2 PL DEC $\pm 0.15$		APPROVAL: TOMMY.XIE		16JUN15	
3 PL DEC $\pm 0.08$		CUSTOMER:			
3) Note reference = $\triangle X$		THIS DRAWING IS SUPPLIED FOR INFORMATION ONLY. DESIGN FEATURES, SPECIFICATIONS AND PERFORMANCE DATA SHOWN HEREON ARE THE PROPERTY OF THE AMPHENOL CORPORATION. NO RIGHTS OF REPRODUCTION ARE IMPLIED. ALL DIMENSIONS ARE SUBJECT TO NORMAL MANUFACTURING VARIATIONS.			
MATERIAL SPECIFICATIONS:		SIZE		TYPE	
PROCESS SPECIFICATIONS:		A		C-	
NEXT ASSY:		DWG NO:		REVISION	
		AHDPBS-0406-002		A2	
		SCALE: NONE		SHEET 1 OF 1	

**Amphenol**

Sine Systems - www.amphenol-sine.com  
44724 Morley Drive  
Clinton Township, MI 48036

BACKSEHELL, AHDP SERIES, SIZE 24,WTA