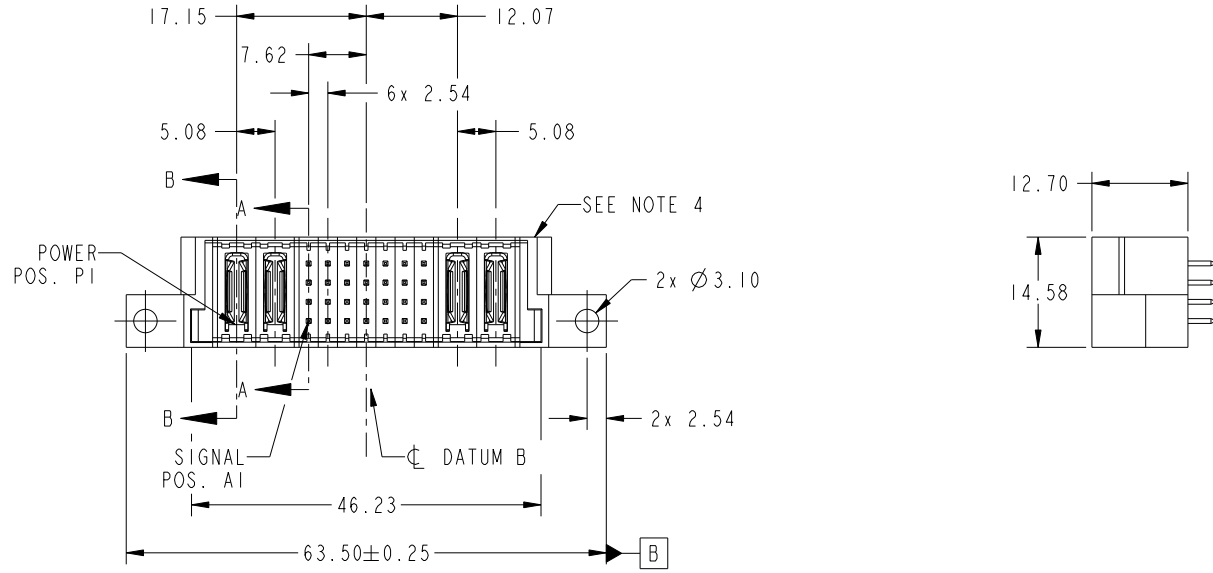
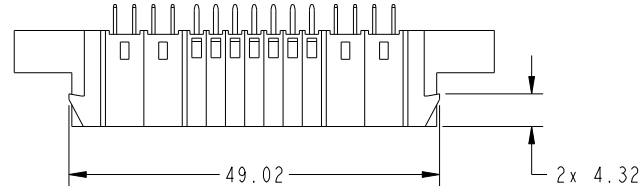


PRODUCT NO.	ROWS	POWER		SIGNAL							POWER		E2								
		E1	P1	P2	1	2	3	4	5	6	7	P3		P4							
51963-090-- NOTE ③	D C B A	⊖	PA	PA	E	E	E	E	E	E	E	E	E	E	E	E	E	E	E	E	⊖



CODE	DIM "M" MATING LENGTH	CONTACT TYPE
PA	[N/A]	POWER
E	[6.86]	SIGNAL

spec ref	See Notes			dr	Ruan MT	2014/11/24	projection 	MM ←→	size	A4	scale	1:1	
tolerance std	TOLERANCES UNLESS OTHERWISE SPECIFIED			eng	De-Ming Lu	2014/12/17			ecn no	-			
See Notes				chr	-	-			rel level	Released			
surface	linear	0.X	±0.50	appr	Pei-Ming Zheng	2014/12/17	product family	PwrBlade		rev	A		
		0.XX	±0.25				title	2DCP + 28S + 2DCP		dwg no	51963-090		
		0.XXX	±0.10				cat. no.	&model_name			Product - Customer Drw		sheet 1 of 4
	angular	0°	±2°	www.fci.com									

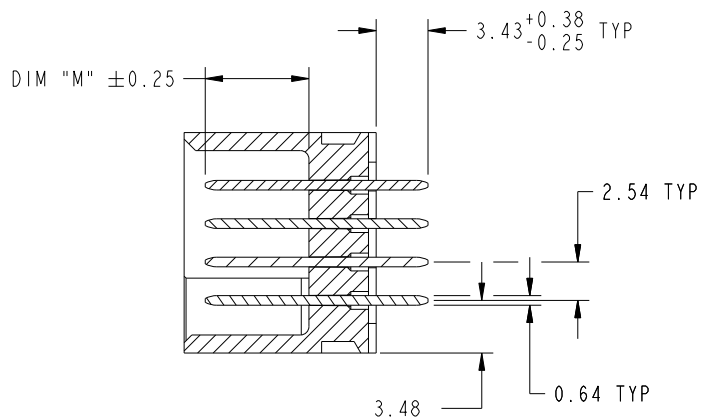


Copyright FCI.

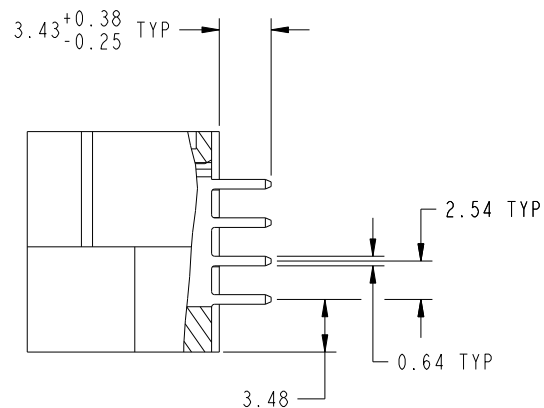
ProjE File - REV C - 2009-06-09

PRODUCT NUMBER

51963-090__
NOTE 3



SECTION A-A
SCALE 2:1



SECTION B-B
SCALE 2:1

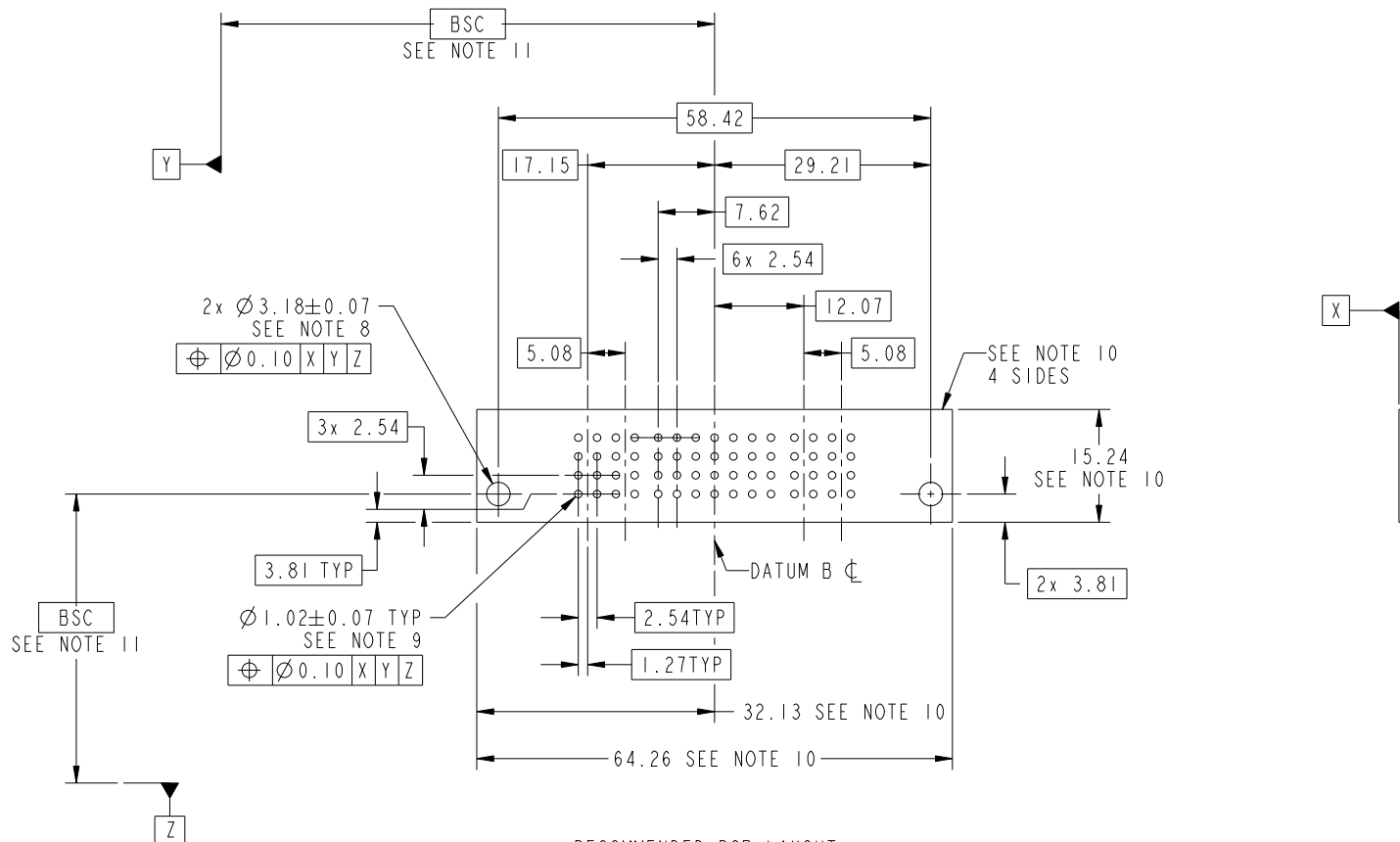


Copyright FCI.

dr	Ruan MT	2014/11/24	projection 	MM ←————→	size	A4	scale	1:1
eng	De-Ming Lu	2014/12/17			ecn no	-		
chr	-	-			rel level	Released		
appr	Pei-Ming Zheng	2014/12/17	product family	PwrBlade	rev	A		
	title	2DCP + 28S + 2DCP VERTICAL SOLDER HEADER		dwg no	51963-090	rev	A	
www.fci.com	cat. no.	&model_name	Product - Customer Drw		sheet 2 of 4			

PRODUCT NUMBER

51963-090__
NOTE 3



RECOMMENDED PCB LAYOUT



Copyright FCI.

dr	Ruan MT	2014/11/24	projection 	MM ←→	size	A4	scale	1:1
eng	De-Ming Lu	2014/12/17			ecn no	-		
chr	-	-			rel level	Released		
appr	Pei-Ming Zheng	2014/12/17	product family	PwrBlade	rev	A		
	title	2DCP + 28S + 2DCP VERTICAL SOLDER HEADER		dwg no	51963-090			
www.fci.com	cat. no.	&model_name	Product - Customer Drw		sheet 3 of 4			

PRODUCT NUMBER

51963-090__
NOTE 3

NOTES:

1. DIMENSIONS AND TOLERANCES ARE IN ACCORDANCE WITH ASME Y14.5M, 1994 UNLESS OTHERWISE SPECIFIED.

CONNECTOR NOTES:

- 2 HOUSING MATERIAL: UL 94 V-0 GLASS FILLED HIGH-TEMP THERMOPLASTIC
POWER CONTACT MATERIAL: COPPER ALLOY
SIGNAL PIN MATERIAL: COPPER ALLOY
- 3. SEE ITEM 1 & 2 IN PRINT 10064183 FOR PLATING SPEC OF 51963-090 AND 51963-090LF RESPECTIVELY.

4 MANUFACTURER'S NAME, DATE CODE AND OPTIONAL P/N TO APPEAR ON THIS SURFACE. THE MARK CAN BE OMITTED IF THERE IS NOT ENOUGH SPACE ON THIS SURFACE.

5. PRODUCT SPECIFICATION GS-12-149.
APPLICATION SPECIFICATION BUS-20-067.

6. PACKAGED IN TRAYS.

PCB NOTES:

- 7. ALL HOLE DIAMETERS ARE FINISHED HOLE SIZE.
- 8. MOUNTING HOLES, WHERE APPLICABLE, ARE UNPLATED.

9 $\varnothing 1.151 \pm 0.025$ DRILLED HOLES PLATED WITH 0.008 MIN SnPb OR Sn OVER .001 [0.03] TO 0.08 Cu PLATING TO ACHIEVE $\varnothing 1.02 \pm 0.07$ HOLE.

10 CONNECTOR KEEP-OUT ZONE.

11. DATUM AND BASIC DIMENSIONS ARE ESTABLISHED BY CUSTOMER.



Copyright FCI.

dr	Ruan MT	2014/11/24	projection 	MM 	size	A4	scale	1:1
eng	De-Ming Lu	2014/12/17			ecn no	-		
chr	-	-			product family	PwrBlade	rel level	Released
appr	Pei-Ming Zheng	2014/12/17			title 2DCP + 28S + 2DCP VERTICAL SOLDER HEADER	dwg no 51963-090	rev A	
www.fci.com	cat. no.	&model_name	Product - Customer Drw			sheet 4 of 4		