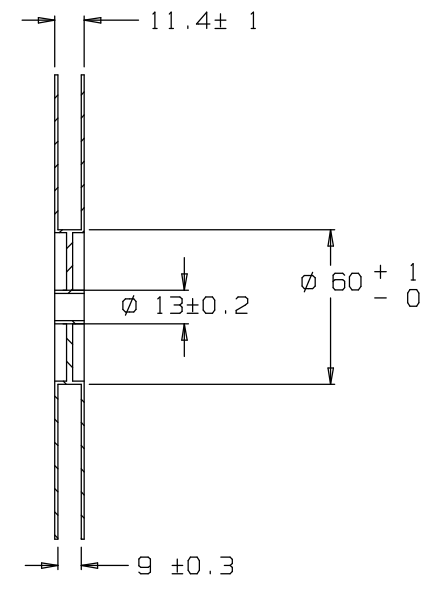
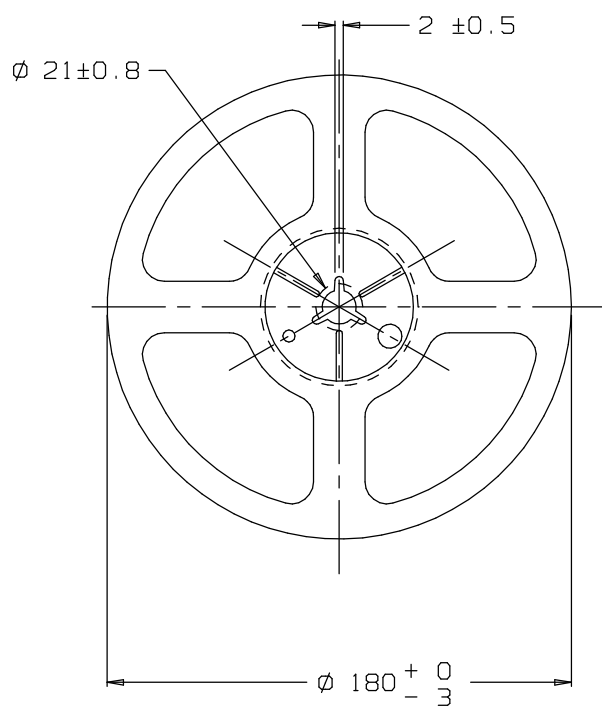


FOR INSPECTION USE ONLY
 SPC DOCUMENTATION REQ. (X R CHARTS)

REV	ECR NO./DESCRIPTION	DATE
	SEE SHEET ONE	

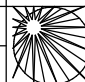


DIST.
V/S

DO NOT SCALE

NOTES:
 1. ALL DIMENSIONS ARE IN mm.
 2. DIMENSIONS AND MARKINGS OF REELS ARE IN ACCORDANCE WITH EIAJ's STANDARD ETX-7001.

THIS DWG IS THE PROPERTY OF CHICAGO MINIATURE LAMP INC. AND IS PROPRIETARY IN GENERAL AND IN DETAIL. IT SHALL NOT BE COPIED OR ITS CONTENTS REVEALED TO OUTSIDE PARTIES WITHOUT THE WRITTEN CONSENT OF CHICAGO MINIATURE LAMP INC.

PART NO.	SEE TABLE	TITLE	SURFACE MOUNT LED'S
MODEL NO.	-		
MOLD NO.	-		
MATERIAL:	-	 CHICAGO MINIATURE LAMP INC. 147 CENTRAL AVE. HACKENSACK, NJ 07601	
FINISH:	-		
TOLERANCE UNLESS OTHERWISE SPECIFIED:		DRAWN M. PATCH	SCALE: NTS
ANGLE ± 0.1		CHECKED	B12526
ANGLE ± 1°		ENG. APPRV	