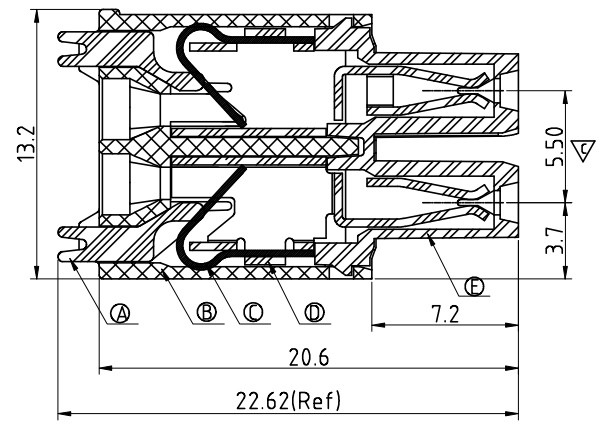
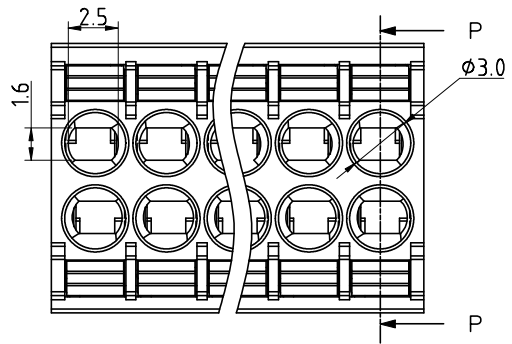


SIGN	DATE	DESCRIPTION	APPROVER
△	08/11'15	Update the drawing	Airy min
△			

*THIS IS CAD DRAWING, DO NOT REVISE MANUALLY!!!*

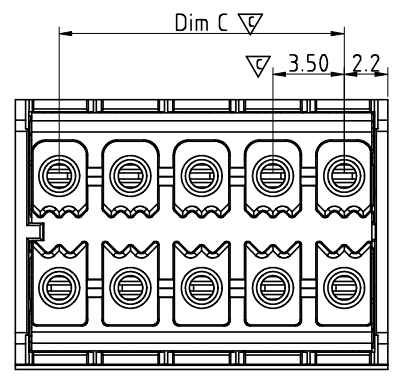
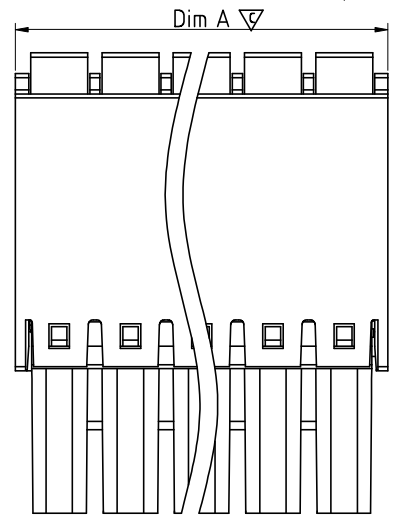


- Material:
- Item A Terminal lever: Thermoplastic (UL94V-0) Orange (RAL2011/P)
  - Item B Terminal top housing: Thermoplastic (UL94V-0)
  - Item C Spring clamp : Stainless steel
  - △ Item D Female contact : PhBz Matte Tin plated over Nickel plated
  - Item E Terminal down housing: Thermoplastic (UL94V-0)

- Electrical: cULus
- Voltage rating: 300 V
  - Current rating: 5.5 A
  - Wire range:
  - Solid wire(AWG): 16-24
  - Stranded wire(AWG): 16-24
  - Wire strip length: 9-10 mm
  - Withstanding Voltage: 1.6 KV △
  - Operating temperature: -40°C to +115°C
  - Safety Approval:
  - Critical dimension: ▽

**NL xx 1 0 x 2 xxxxG**

- No. OF POLES
- 04: 2x2 POLES
  - 06: 2x3 POLES
  - 48: 2x24 POLES
- Body color
- 0 Black (RAL9005)
  - 2 Red (RAL3001/D)
  - 3 Orange(RAL2011/P)
  - 4 Yellow(RAL1018/A)
  - 5 Green(RAL6018/T)
  - 6 Blue (RAL5015/A)
  - 8 Grey(RAL7035/D)
  - 9 White(RAL1102)
  - C Green ( RAL 6018/U )
- RoHS compliant (lead<4%)  
In copper Alloy
- △ 00G0: "@ " Logo (Standard)  
00GA: "ANYTEK" Mark  
Any special item by customer request.  
please contact sales department.



DimA=(N/2-1)×3.5+4.3  
DimC=(N/2-1)×3.5

N=Number of poles

POLES	Tol	Dim.	Dim.A/C
2x2p-2x6p			±0.15
2x7p-2x12p			±0.25
2x13p-2x16p			±0.30
2x17p-2x24p			±0.40

<b>ANYTEK</b>		<b>INSPECTION COPY</b>			
TITLE	NL 3.5mm W/o Flange Series				
PART NO.	NLxx10x2xxxxG △	DWG NO.	8NL0002		
APPROVED	CHECKED	DESIGNED	DRAWN	CUST NO.	Tolerance X. ±0.50 X.X ±0.30 X.XX ±0.10 X° ±1°
		Chenhao 2016.04.18	Chenhao 2016.04.18		
SHEET: 01/01		UNIT: MM	SCALE: NONE	REV: C	