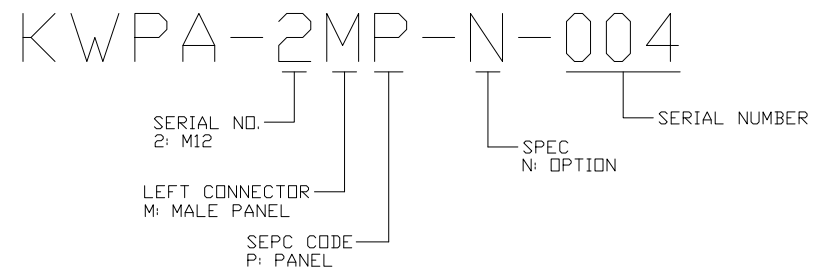
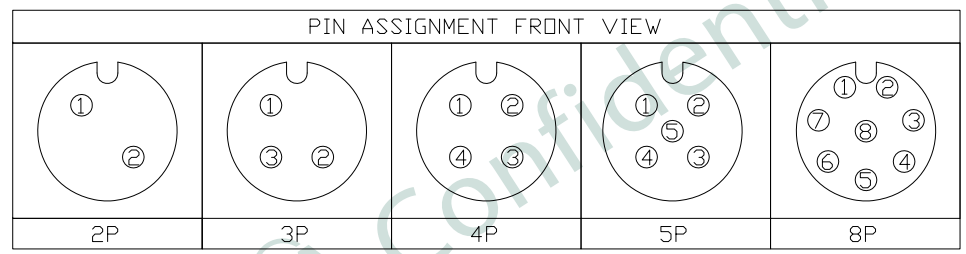
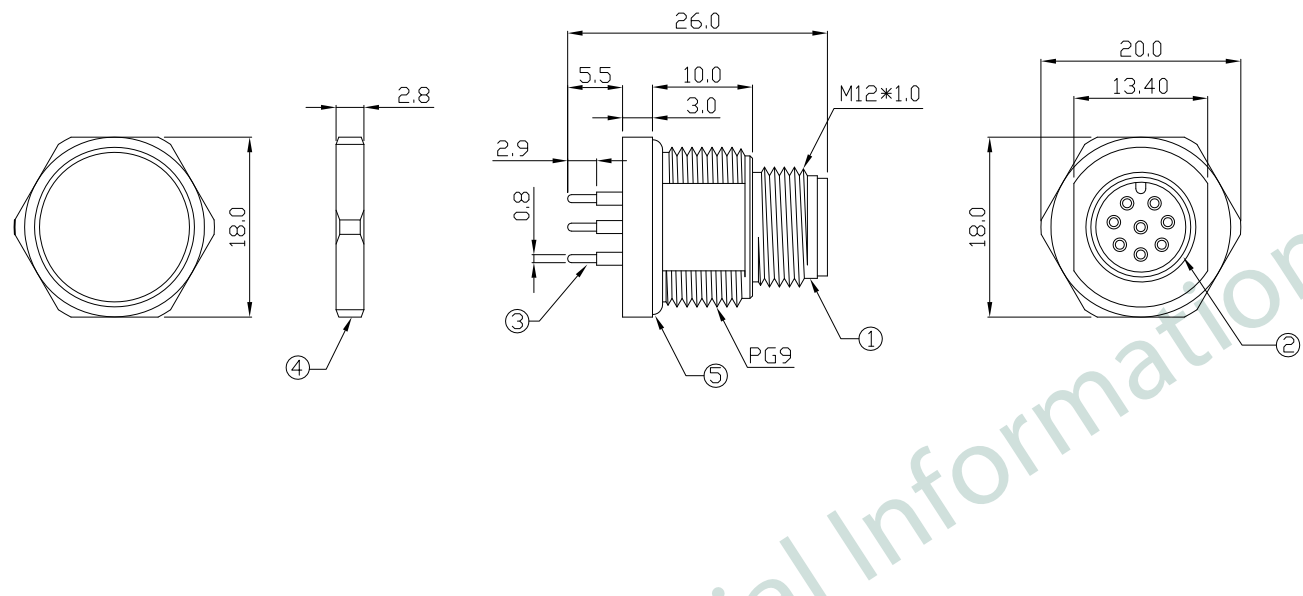


REV.	DATE	DESCRIPTION
01	Nov. 20, '17	1st RELEASE

NOTES:  
 1. ELECTRICAL CHARACTERISTICS  
 CURRENT RATING: 5A  
 TEMPERATURE RANGE: -40°C TO +85°C  
 DIELECTRIC WITHSTANDING VOLTAGE:  
 125V AC FOR ONE MINUTE  
 2. UNSPECIFIED TOLERANCE: .XXX ±0.05  
 .XX ±0.10  
 .X ±0.25



NO.	PART NAME	DESCRIPTION	COLOR	Q'TY
5	O-RING	EDPM		1
4	HEX NUT	BRASS, NICKEL PLATING		1
3	PIN CONTACT	BRASS, GOLD FLASH		N
2	PLASTIC INSERT	M12, N PIN CONNECTOR	BLACK	1
1	SOCKET	BRASS, NICKEL PLATING		1

PART NO KWPA-2MP-N-004				
TITLE	WATERPROOF CONNECTOR, M12(M), N PIN,			
REV : 01				
UNIT	DRAWN	CHKD	DATE	SHEET
mm[inch]	CINDY	DANIEL	Nov. 20, '17	1 of 1