



Copyright FCI.

A

B

C

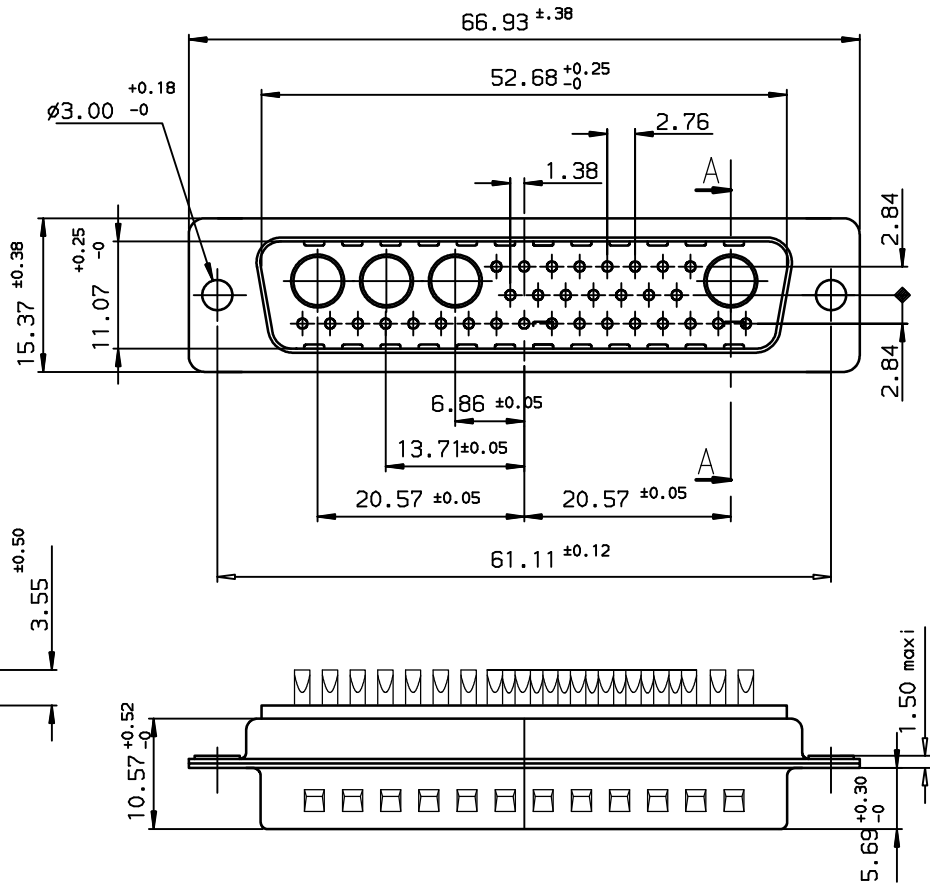
D

A

B

C

D



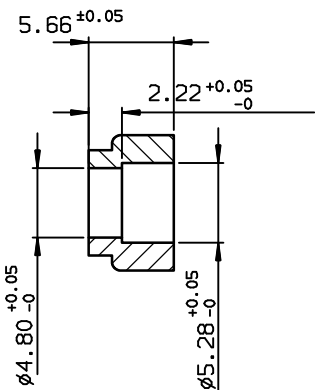
TIN LEAD PART NUMBER

DD36W4PA00
PART NUMBER

LEAD FREE PART NUMBER

DD36W4PA00LF
PART NUMBER

CAVITY AA



GENERAL CHARACTERISTICS AND ROHS INFORMATIONS:  
SEE DRAWING C01-8639-0003

European Views

www.fciconnect.com		surface ISO 1302 ✓	tolerance std ISO 406 ISO 1101	projection 	mm ↔
TOLERANCES UNLESS OTHERWISE SPECIFIED					
Dr	JARRY	1996/08/22	ANGULAR	0.X	±0.1
Eng	PESSON	1996/08/22	LINEAR	0.XX	±0.1
Chr	LEGARE	1996/08/22	0.XX*	±2*	±0.1
Appr	LEGARE	1996/08/22	Product family	D-SUB	Spec ref -
title MALE CONNECTOR 32 SOLDER CONTACTS WITH 4 POWERS CONTACTS			size A3	Scale 2	Rev. D
catalog no -			C01-8639-0487		CUSTOMER sheet 1 of 1

rev	ecn no	dr	date
B	-	BAR	2003/10/20
C	LS05-005	MPE	2005/03/16
D	LS06-0095	LGO	2006/07/19
-	-	-	-
-	-	-	-
-	-	-	-

REV F - 2006-04-17