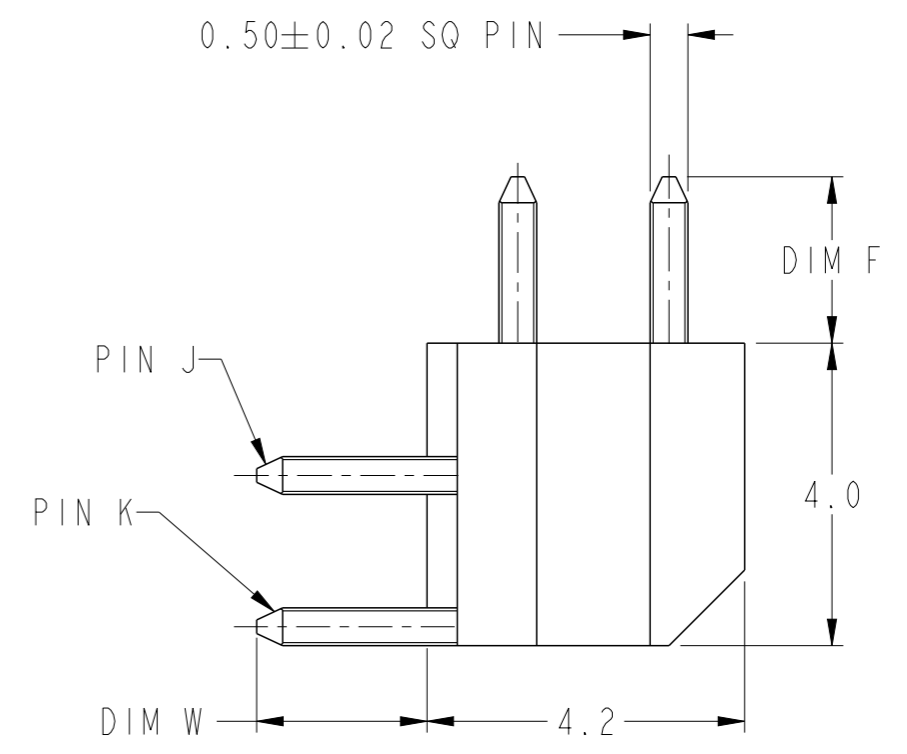
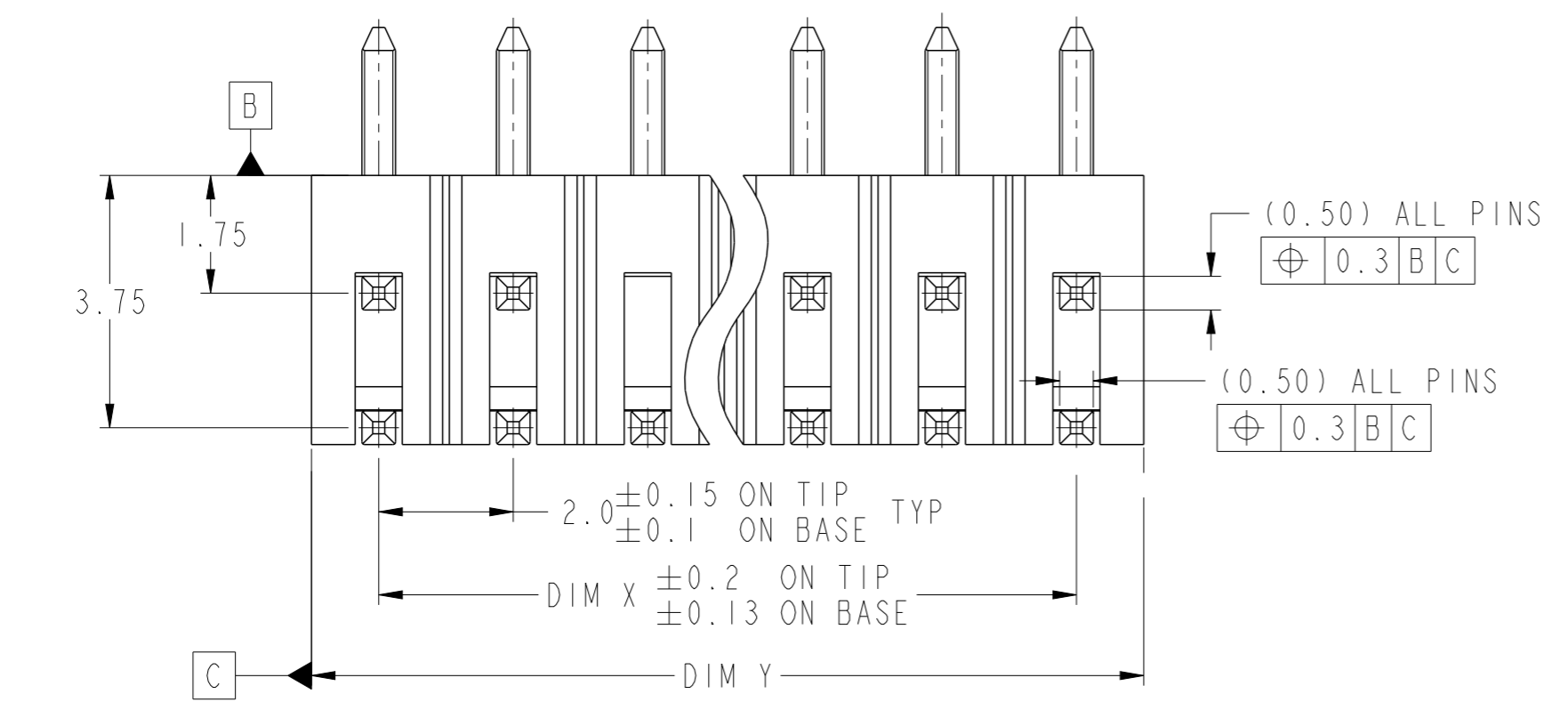
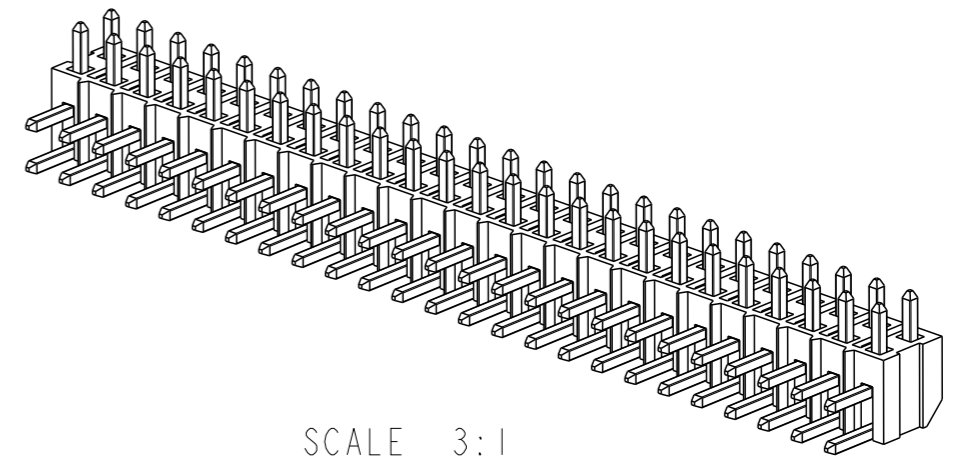
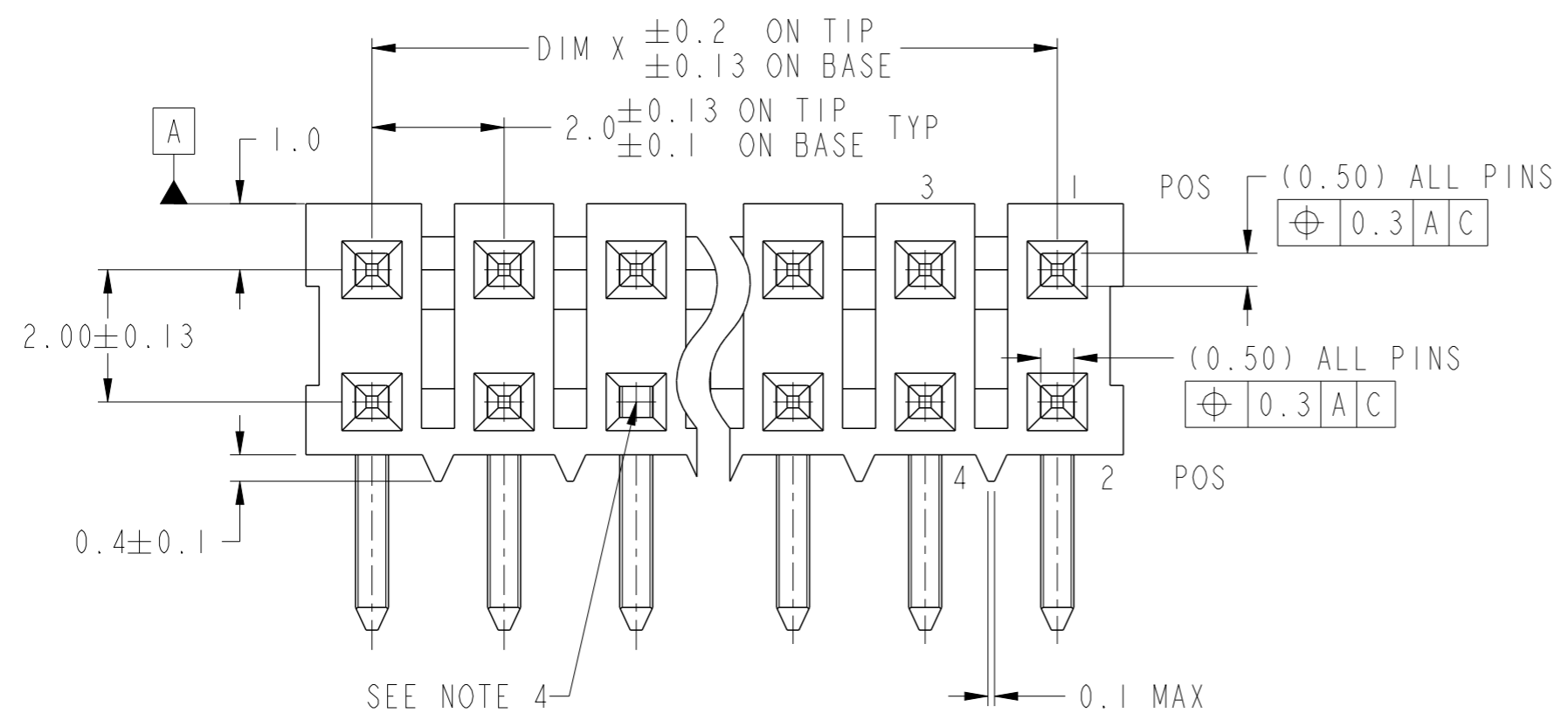


PRODUCT NO
SEE SHEET 2



Copyright FCI.

spec ref	-	dr	Andrew Yong	2010/12/29	projection	MM	size	A3	scale	10:1	
tolerance std	ISO 406 ISO 1101	eng	Guo-Min Sun	2014/08/27			ecn no	ELX-N-18666-1			
TOLERANCES UNLESS OTHERWISE SPECIFIED		chr	-	-			product family	MINITEK	rel level	Released	
surface	ISO 1302	appr	Rick Bian	2014/08/27			dwg no	10115395		rev	B
	linear	0.X	±-		MINITEK II R/A HEADER		Product - Customer Drw		sheet 1 of 3		
		0.XX	±0.25		cat. no.	-	PDS: Rev :B		STATUS:Released		
	angular	0°	±°		Printed: Aug 27, 2014						

PRODUCT NO SEE NOTES 5, 9 & 10.	POS	POL. POS	DIM X	DIM Y	DIM F	DIM W	PLATING
10115395-001TRLF	2X25	-	48	50	2.4	2.2 ±0.13	2.54-5.08µm MATTE TIN OVER Ni

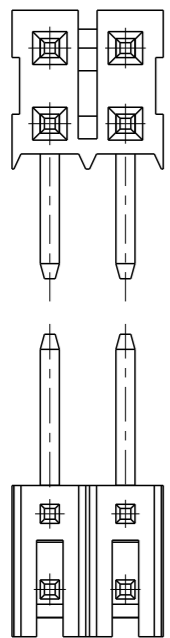
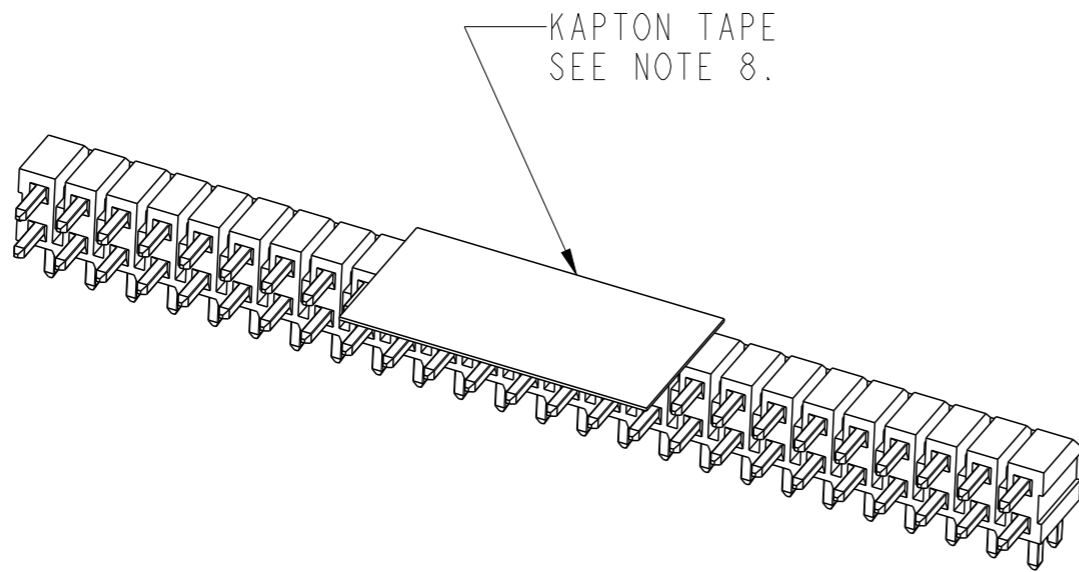
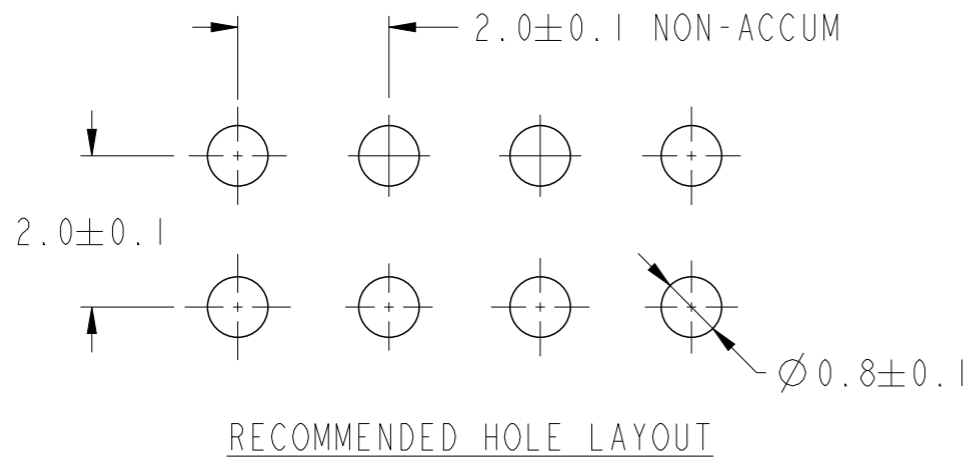


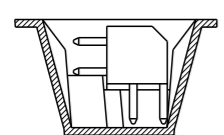
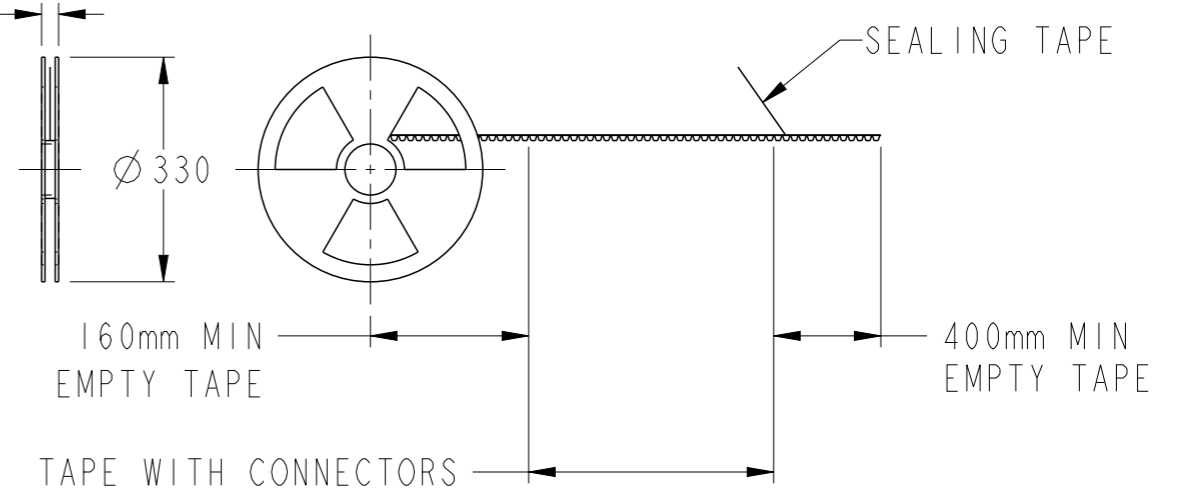
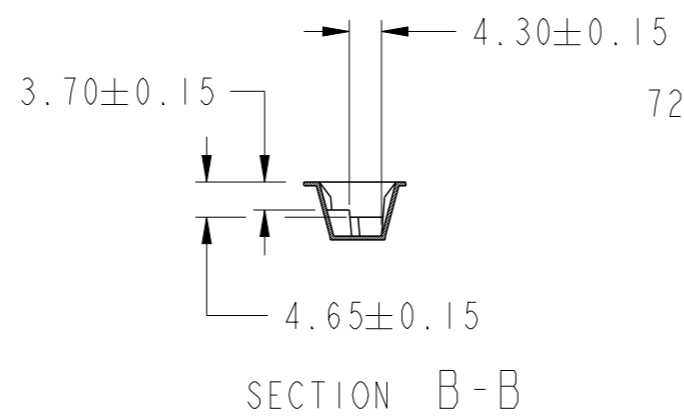
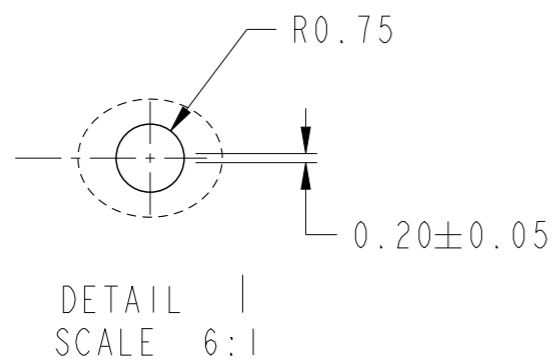
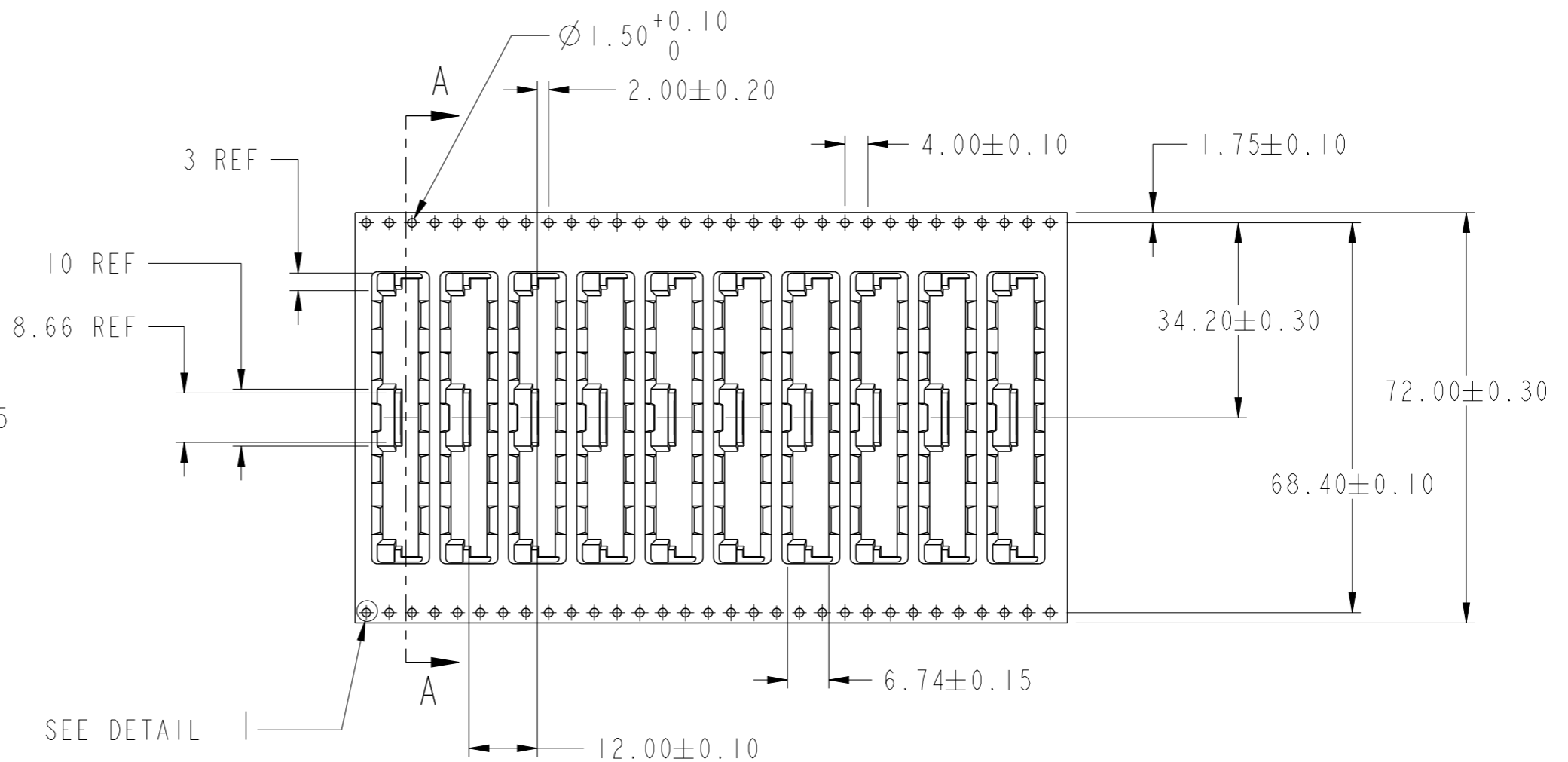
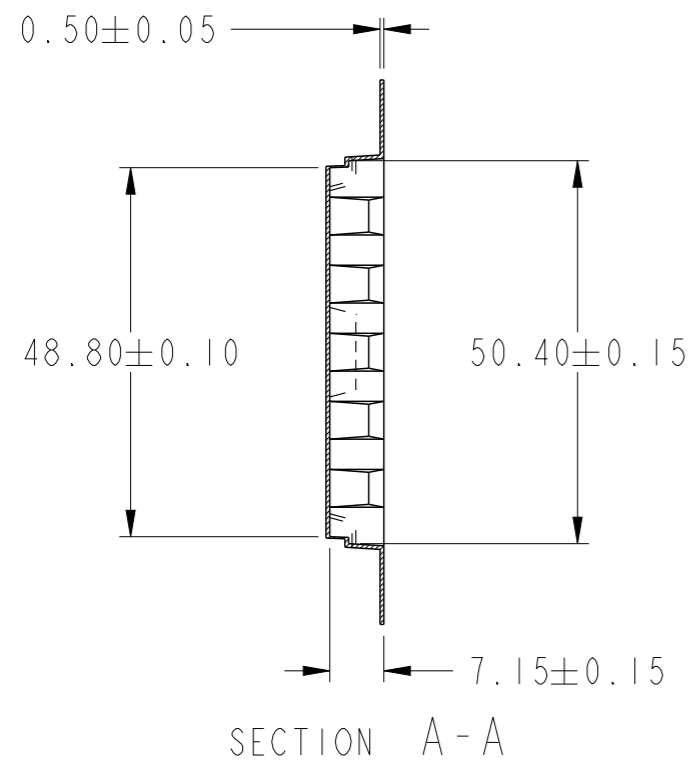
FIG. 1
SEE NOTE 3

NOTES:

- MATERIAL:
BODY : HIGH TEMPERATURE PLASTIC UL 94V-0 BLACK
PIN : COPPER ALLOY
- TOLERANCE UNLESS OTHERWISE NOTED ±0.25
- STAND-OFF DESIGN FOR 2X2 POS. REFERS TO FIG. 1.
- POLARISED BY OMISSION OF PINS. REFER TO TABLE FOR POSITION.
- 10115395-XXXLF IS SAME TO 10115395-XXX. THE 'LF' IS ADDED JUST FOR EASY LEAD FREE IDENTIFICATION
- THE HOUSING WILL WITHSTAND EXPOSURE TO 255°C PEAK TEMPERATURE FOR 10 SECONDS IN A CONVECTION, INFRA-RED OR VAPOR PHASE REFLOW OVEN.
- THE HOUSING WILL WITHSTAND EXPOSURE TO 260°C PEAK TEMPERATURE FOR 10 SECONDS IN A WAVE SOLDERING APPLICATION WITH A 1.57MM MINIMUM THICK CIRCUIT BOARD.
- KAPTON TAPE (10114546-002) DIMENSIONS: (6 X 15 X 0.125 mm). APPLY KAPTON TAPE TO THE CENTRE OF THE CONNECTOR.
- 'TR'- TAPE & REEL PACKAGING USED FOR THIS PRODUCT, DETAILS AS SPECIFIED IN PAGE 3 & 4.
- THIS PRODUCT MEETS EUROPEAN UNION DIRECTIVES AND OTHER COUNTRY REGULATIONS AS DESCRIBED IN GS-22-008.
- A \triangle SYMBOL WILL BE NEXT TO ANY DIMENSION, VIEW OR NOTE WHICH HAS BEEN MODIFIED WITH THE CURRENT DRAWING REVISION.

spec ref	-	dr	Andrew Yong	2010/12/29	projection	MM	size	A3	scale	10:1				
tolerance std	ISO 406 ISO 1101	eng	Guo-Min Sun	2014/08/27			ecn no	ELX-N-18666-1						
TOLERANCES UNLESS OTHERWISE SPECIFIED		chr	-	appr				Rick Bian	2014/08/27	product family	MINITEK	rel level	Released	
surface	ISO 1302	linear	0.X	±-			dwg no	10115395			rev	B		
			0.XX	±0.25				www.fci.com	cat. no.	-			Product - Customer Drw	sheet 2 of 3
		angular	0°	±°										

PACKAGING SPEC



SCALE 2:1
PART INSIDE CARRIER TAPE

spec ref	-	dr	Andrew Yong	2010/12/29	projection	MM	size	A3	scale	1:1	
tolerance std	ISO 406 ISO 1101	eng	Guo-Min Sun	2014/08/27			ecn no	ELX-N-18666-1			
TOLERANCES UNLESS OTHERWISE SPECIFIED		chr	-	-			rel level	Released			
surface	ISO 1302	appr	Rick Bian	2014/08/27	product family	PACKAGING	dwg no	10115395		rev	B
	linear	0.X	±-		www.fci.com	cat. no.	-	Product - Customer Drw	sheet 3 of 3		
		0.XX	±0.25								
		0.XXX	±-								
	angular	0°	±°								