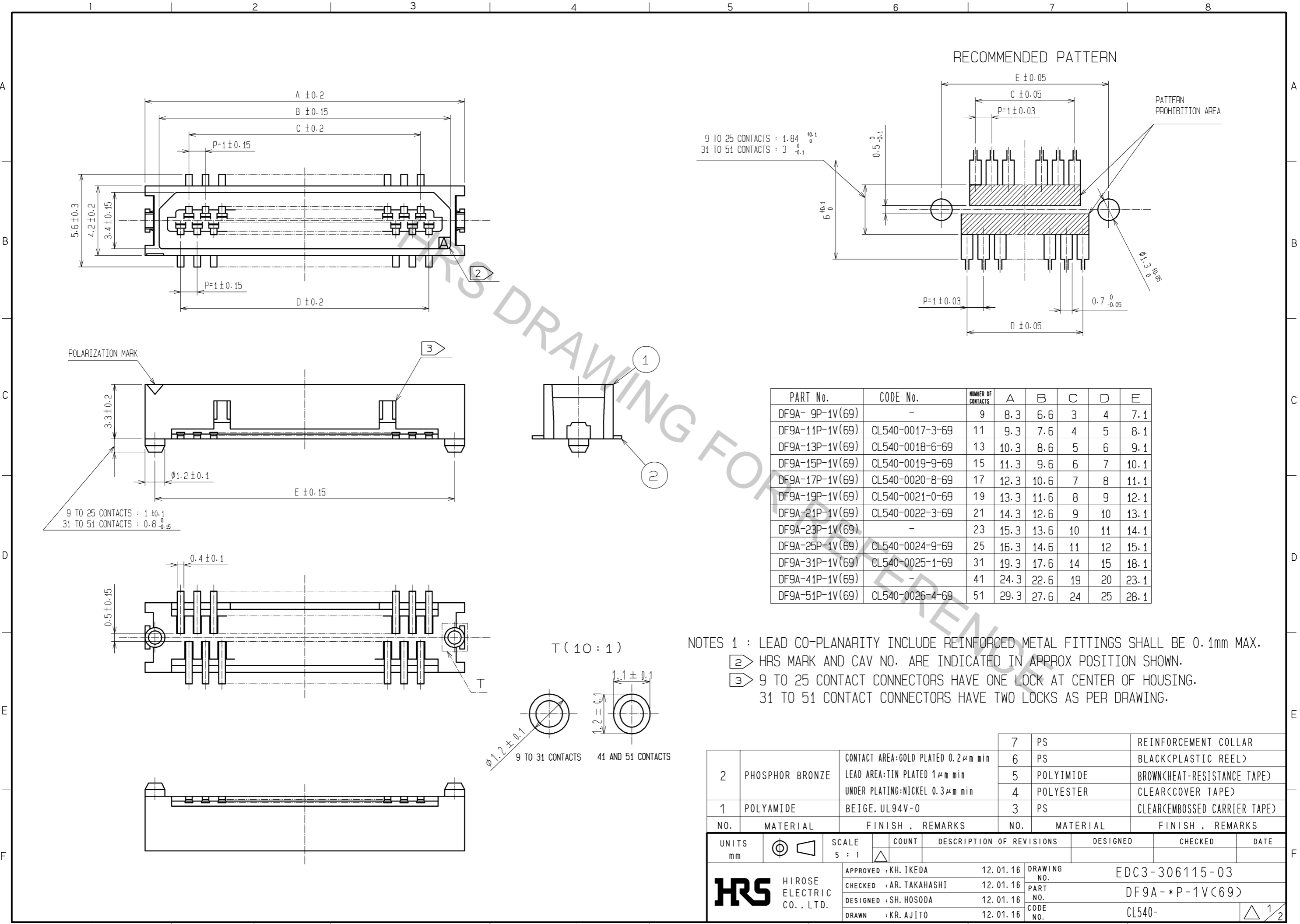


Apr.1.2017 Copyright 2017 HIROSE ELECTRIC CO., LTD. All Rights Reserved.



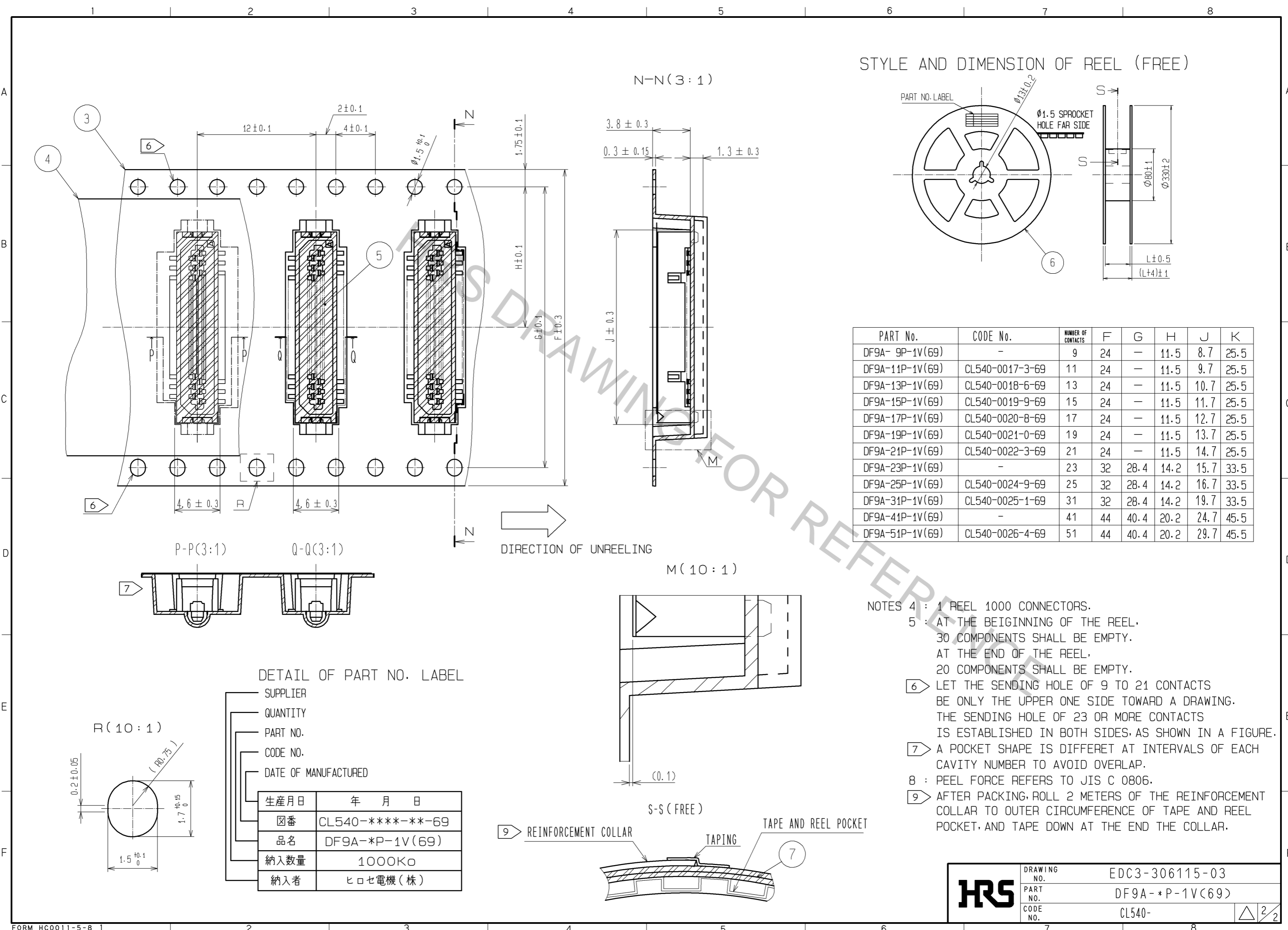
PART No.	CODE No.	NUMBER OF CONTACTS	A	B	C	D	E
DF9A-9P-1V(69)	-	9	8.3	6.6	3	4	7.1
DF9A-11P-1V(69)	CL540-0017-3-69	11	9.3	7.6	4	5	8.1
DF9A-13P-1V(69)	CL540-0018-6-69	13	10.3	8.6	5	6	9.1
DF9A-15P-1V(69)	CL540-0019-9-69	15	11.3	9.6	6	7	10.1
DF9A-17P-1V(69)	CL540-0020-8-69	17	12.3	10.6	7	8	11.1
DF9A-19P-1V(69)	CL540-0021-0-69	19	13.3	11.6	8	9	12.1
DF9A-21P-1V(69)	CL540-0022-3-69	21	14.3	12.6	9	10	13.1
DF9A-23P-1V(69)	-	23	15.3	13.6	10	11	14.1
DF9A-25P-1V(69)	CL540-0024-9-69	25	16.3	14.6	11	12	15.1
DF9A-31P-1V(69)	CL540-0025-1-69	31	19.3	17.6	14	15	18.1
DF9A-41P-1V(69)	-	41	24.3	22.6	19	20	23.1
DF9A-51P-1V(69)	CL540-0026-4-69	51	29.3	27.6	24	25	28.1

NOTES 1 : LEAD CO-PLANARITY INCLUDE REINFORCED METAL FITTINGS SHALL BE 0.1mm MAX.
 ② HRS MARK AND CAV NO. ARE INDICATED IN APPROX POSITION SHOWN.
 ③ 9 TO 25 CONTACT CONNECTORS HAVE ONE LOCK AT CENTER OF HOUSING.
 31 TO 51 CONTACT CONNECTORS HAVE TWO LOCKS AS PER DRAWING.

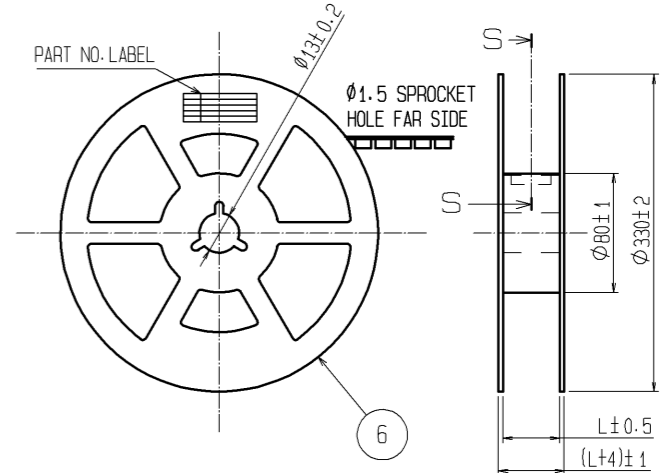
NO.	MATERIAL	FINISH . REMARKS	NO.	MATERIAL	FINISH . REMARKS
2	PHOSPHOR BRONZE	CONTACT AREA:GOLD PLATED 0.2μm min LEAD AREA:TIN PLATED 1μm min UNDER PLATING:NICKEL 0.3μm min	7	PS	REINFORCEMENT COLLAR
			6	PS	BLACK(PLASTIC REEL)
			5	POLYIMIDE	BROWN(HEAT-RESISTANCE TAPE)
			4	POLYESTER	CLEAR(COVER TAPE)
1	POLYAMIDE	BEIGE. UL94V-0	3	PS	CLEAR(EMBOSSED CARRIER TAPE)

UNITS	SCALE	COUNT	DESCRIPTION OF REVISIONS	DESIGNED	CHECKED	DATE
mm	5 : 1	△				
APPROVED : KH. IKEDA			12.01.16	DRAWING NO. EDC3-306115-03		
CHECKED : AR. TAKAHASHI			12.01.16	PART NO. DF9A-*P-1V(69)		
DESIGNED : SH. HOSODA			12.01.16	CODE NO. CL540-		
DRAWN : KR. AJITO			12.01.16			

Apr.1.2017 Copyright 2017 HIROSE ELECTRIC CO., LTD. All Rights Reserved.



STYLE AND DIMENSION OF REEL (FREE)



PART No.	CODE No.	NUMBER OF CONTACTS	F	G	H	J	K
DF9A-9P-1V(69)	-	9	24	-	11.5	8.7	25.5
DF9A-11P-1V(69)	CL540-0017-3-69	11	24	-	11.5	9.7	25.5
DF9A-13P-1V(69)	CL540-0018-6-69	13	24	-	11.5	10.7	25.5
DF9A-15P-1V(69)	CL540-0019-9-69	15	24	-	11.5	11.7	25.5
DF9A-17P-1V(69)	CL540-0020-8-69	17	24	-	11.5	12.7	25.5
DF9A-19P-1V(69)	CL540-0021-0-69	19	24	-	11.5	13.7	25.5
DF9A-21P-1V(69)	CL540-0022-3-69	21	24	-	11.5	14.7	25.5
DF9A-23P-1V(69)	-	23	32	28.4	14.2	15.7	33.5
DF9A-25P-1V(69)	CL540-0024-9-69	25	32	28.4	14.2	16.7	33.5
DF9A-31P-1V(69)	CL540-0025-1-69	31	32	28.4	14.2	19.7	33.5
DF9A-41P-1V(69)	-	41	44	40.4	20.2	24.7	45.5
DF9A-51P-1V(69)	CL540-0026-4-69	51	44	40.4	20.2	29.7	45.5

- NOTES
- 4 : 1 REEL 1000 CONNECTORS.
 - 5 : AT THE BEIGINNING OF THE REEL, 30 COMPONENTS SHALL BE EMPTY. AT THE END OF THE REEL, 20 COMPONENTS SHALL BE EMPTY.
 - 6 LET THE SENDING HOLE OF 9 TO 21 CONTACTS BE ONLY THE UPPER ONE SIDE TOWARD A DRAWING. THE SENDING HOLE OF 23 OR MORE CONTACTS IS ESTABLISHED IN BOTH SIDES, AS SHOWN IN A FIGURE.
 - 7 A POCKET SHAPE IS DIFFERET AT INTERVALS OF EACH CAVITY NUMBER TO AVOID OVERLAP.
 - 8 : PEEL FORCE REFERS TO JIS C 0806.
 - 9 AFTER PACKING, ROLL 2 METERS OF THE REINFORCEMENT COLLAR TO OUTER CIRCUMFERENCE OF TAPE AND REEL POCKET, AND TAPE DOWN AT THE END THE COLLAR.

DETAIL OF PART NO. LABEL

- SUPPLIER
- QUANTITY
- PART NO.
- CODE NO.
- DATE OF MANUFACTURED

生産月日	年 月 日
図番	CL540-****-**-69
品名	DF9A-*P-1V(69)
納入数量	1000K \square
納入者	ヒロセ電機(株)

HRS	DRAWING NO.	EDC3-306115-03
	PART NO.	DF9A-*P-1V(69)
	CODE NO.	CL540-