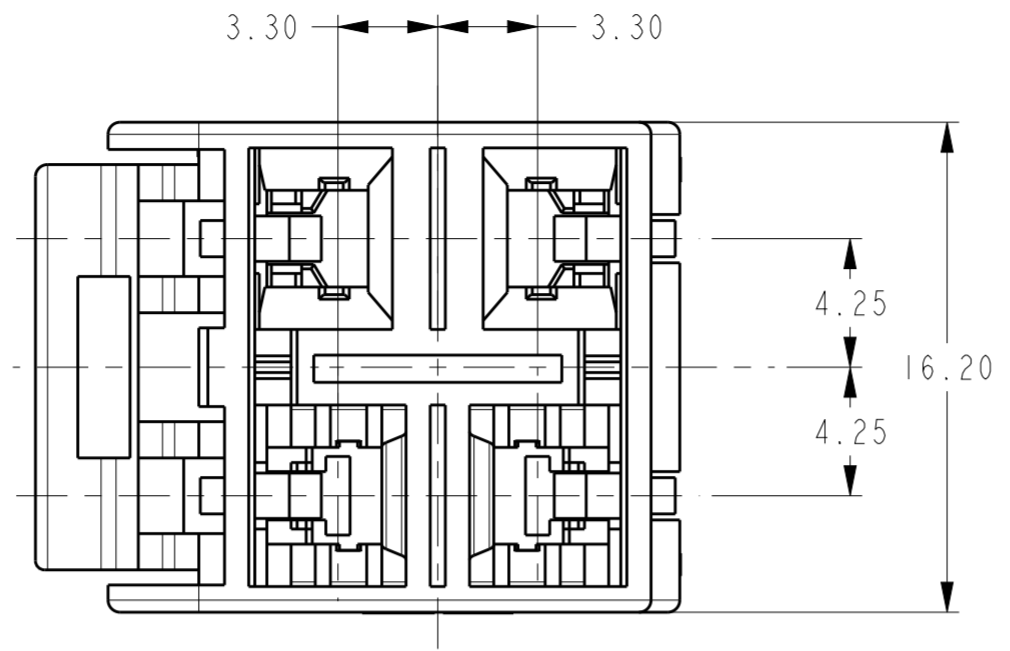


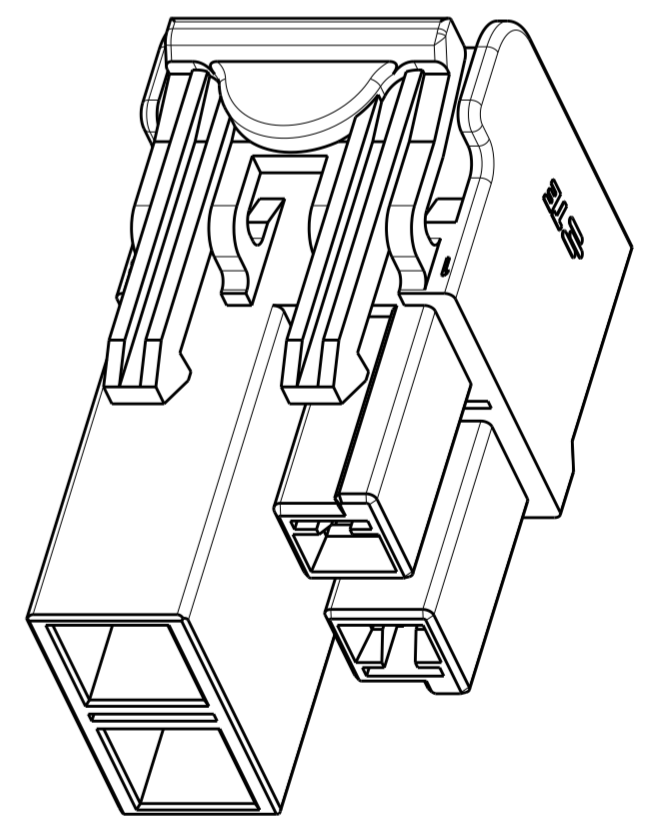
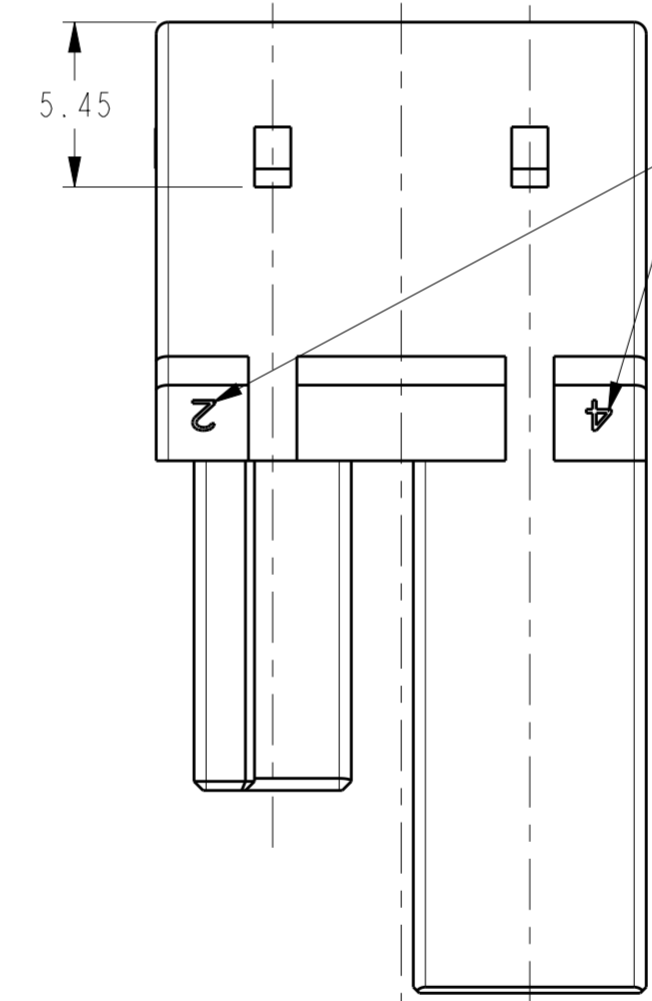
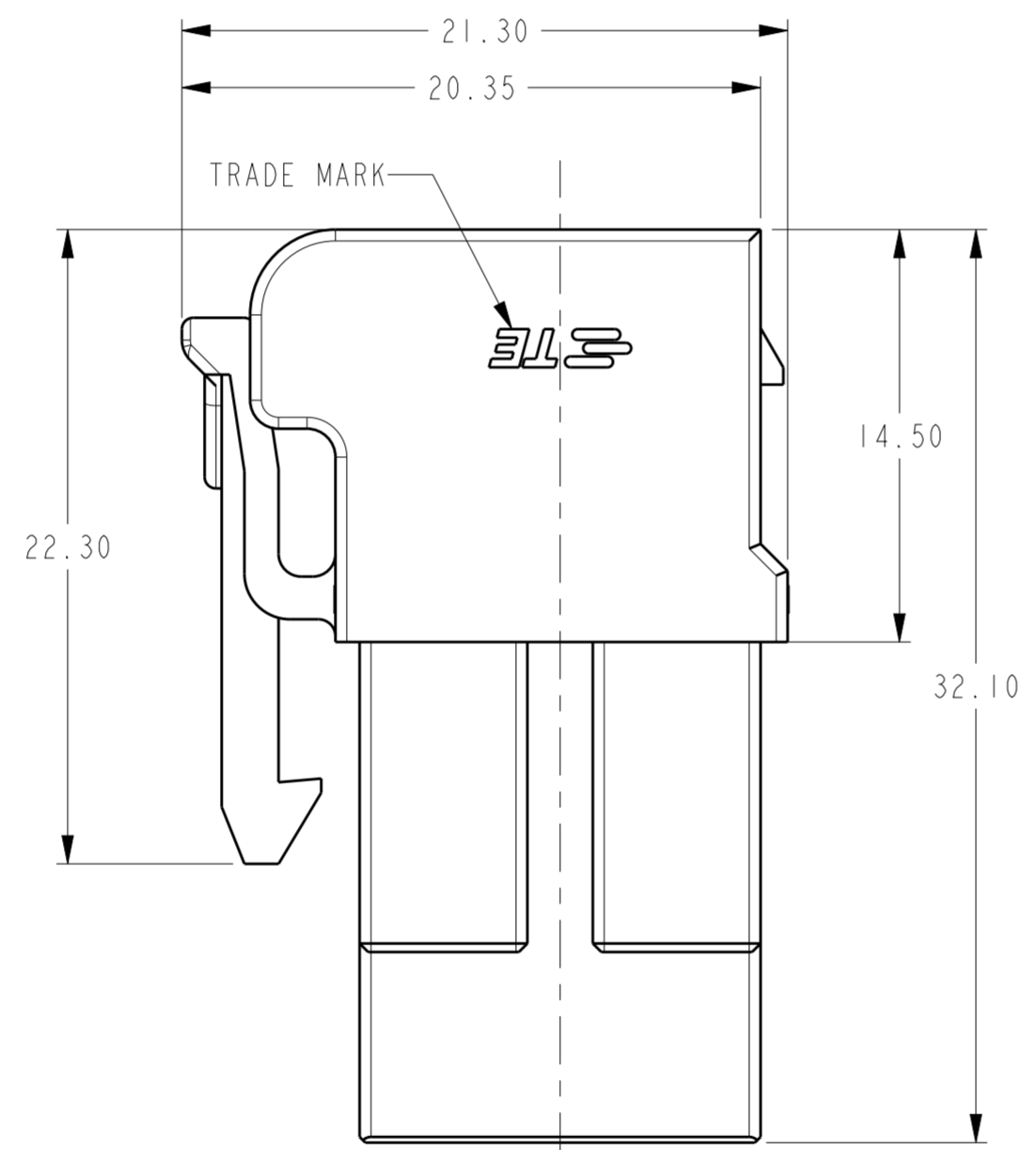
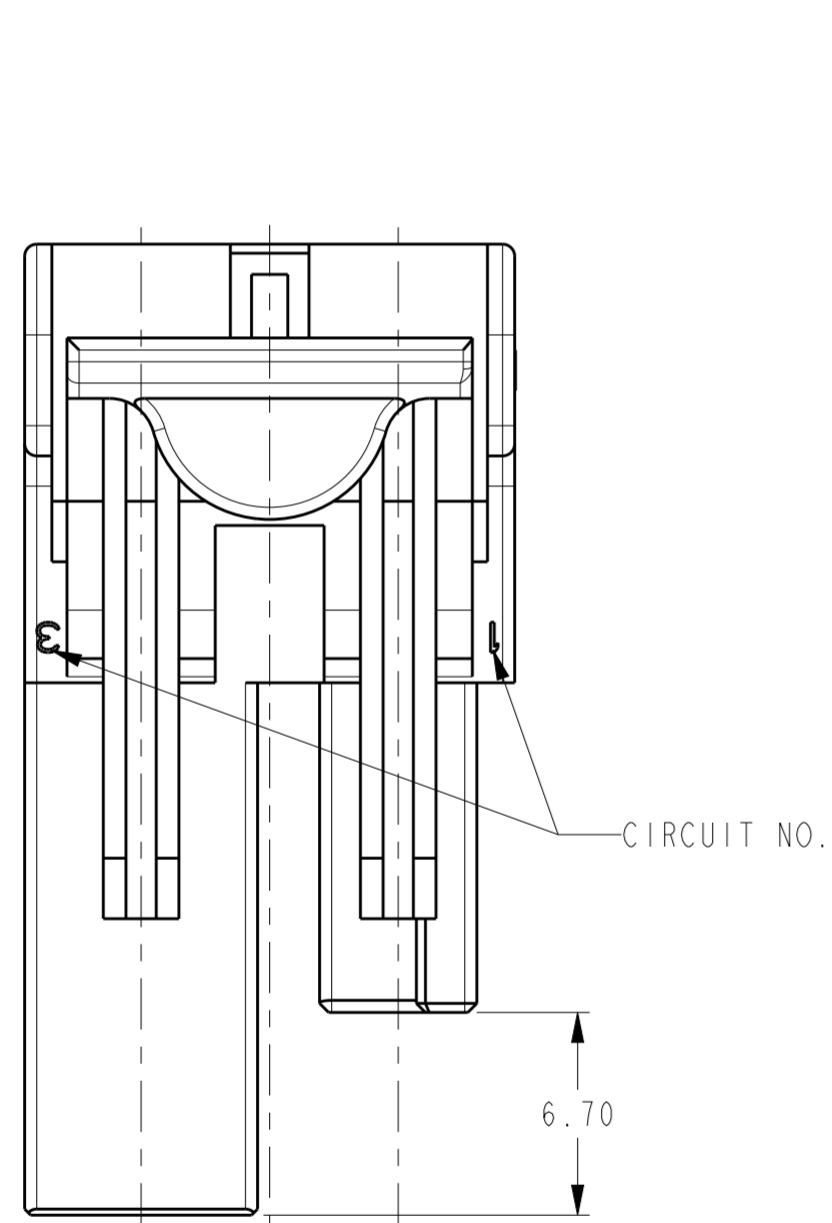
THIS DRAWING IS UNPUBLISHED. RELEASED FOR PUBLICATION 20
 © COPYRIGHT 20 BY - ALL RIGHTS RESERVED.

LOC		DIST		REVISIONS			
P	LTR	DESCRIPTION		DATE	DWN	APVD	
	A	RELEASED		19AUG2011	R.C	E.K	
	A1	ADD "GWT REQUIREMENTS" IN NOTE 6		11OCT2012	D.Z	YH.M	




NOTE

- 1 MATERIAL: THERMOPLASTIC, UL94 V-0, COLOR: NATURAL
- 2 PRODUCT SPEC: 108-106071
- 3 APPLICABLE CONTACT P/N:
 TAB CONTACT: 1983661/2-1
 REC CONTACT: 1983663/4-1
- 4 MATING CONN. P/N:
 HSG: 1983658-1
- 5 APPLICABLE DOUBLE LOCK PLATE P/N: 1983666-1
- 6. PRODUCT COMPLY WITH GLOW WIRE REQUIREMENTS FOR PARTS OF NON-METALLIC MATERIAL SUPPORTING A CURRENT-CARRYING CONNECTION DETAILED IN IEC 60335-1, SECTION 30 (GWT).



PART NUMBER 1983659-1

THIS DRAWING IS A CONTROLLED DOCUMENT.		DWN 19AUG2011 RICHARD CHEN	 TE Connectivity	
DIMENSIONS: mm		CHK 19AUG2011 HAPYE WU		
TOLERANCES UNLESS OTHERWISE SPECIFIED:		APVD 19AUG2011 ERIC KONG	NAME 4P HOUSING MULTI 6P CONNECTOR	
0 PLC ±		PRODUCT SPEC 108-106071	RESTRICTED TO	
1 PLC ±		APPLICATION SPEC 114-106071	SIZE A2	CAGE CODE 00779
2 PLC ±0.30		WEIGHT -	DRAWING NO. C-1983659	
3 PLC ±		CUSTOMER DRAWING	SCALE N/A	SHEET 1 OF 1
4 PLC ±				REV A1
ANGLES ±2°				
FINISH				