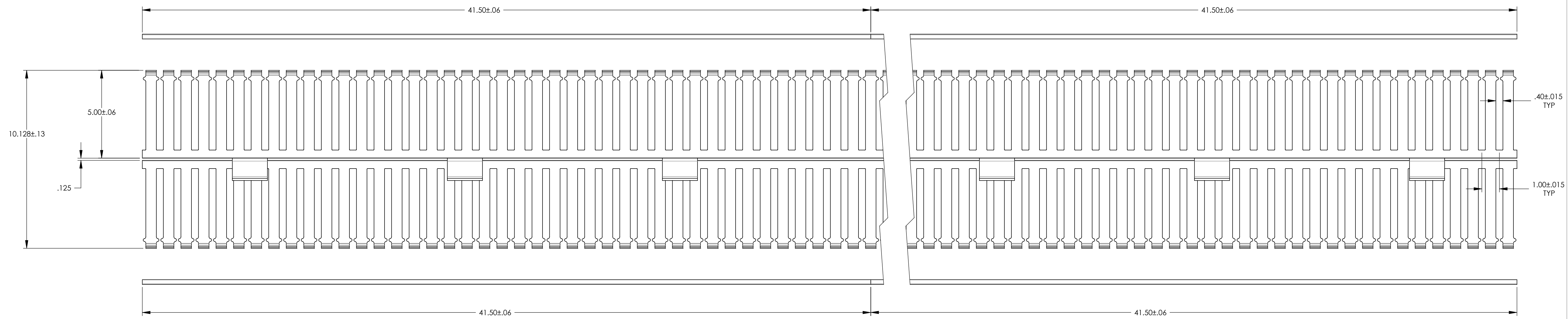
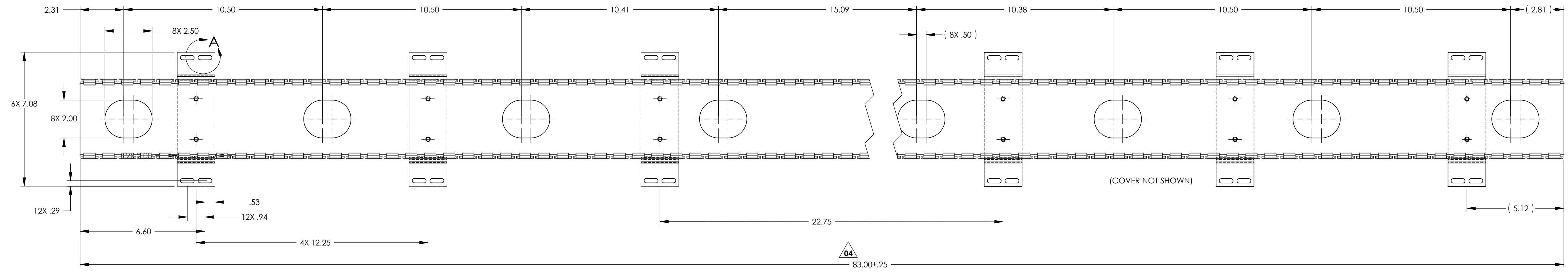
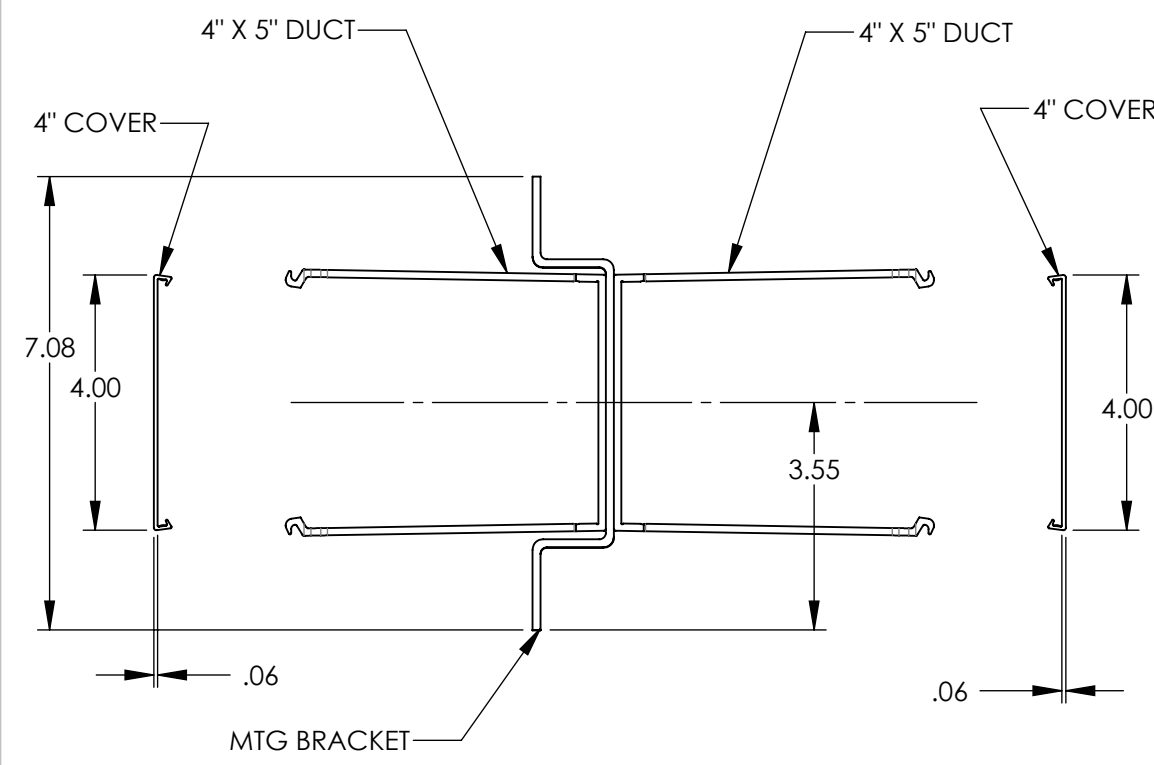


DETAIL A  
SCALE 1 : 1



**HellermannTyton**  
 ALL PROPRIETARY RIGHTS IN THE SUBJECT MATTER SHOWN ON THIS DRAWING ARE EXCLUSIVE PROPERTY OF HELLERMANN TYTON

name	date	city, state

NOTES

- 1) HARDWARE FURNISHED:  
 24 X # 12-24 X 3/4" LG PHILLIPS RND HD MSCR(REF SP #SPL1003)

REVISION

level	04
by	AAC
date	03/10/14
ECN #	012602
part level	-

TOLERANCES

.XXXX	= .0005
.XXX	= .005
.XX	= .01
.X	= .03
	= 0.5
unless otherwise specified	
units	inches

PART

number	VWMDC4X5BK7	phase	Production
name	DUAL SIDED VERTICAL 4 X 5 CENTER MOUNT WIRE MANAGEMENT BRACKET 7 FEET		
material	PVC DUCT & COVER ALUMINUM MTG. BRACKET COLOR: BLACK		

DRAWING

format	D	SW 2007	scale	1:3
version	N			
computer file number	DT2012014CST_04	previous number		
drawn	AAM	checked	KAC	approved
date	08/15/2000	date	03/10/14	
type	Customer	sheet	1 of 1	
number	DT2012014CST			