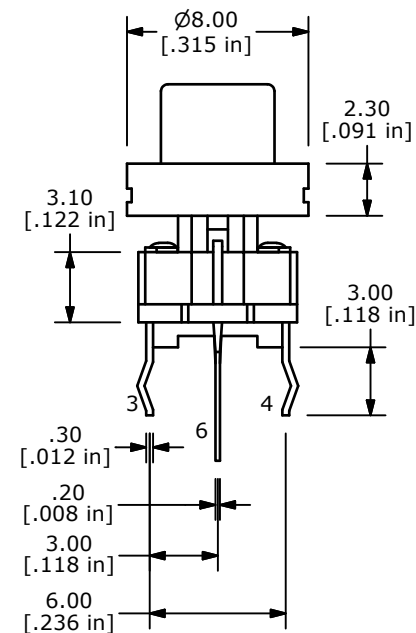
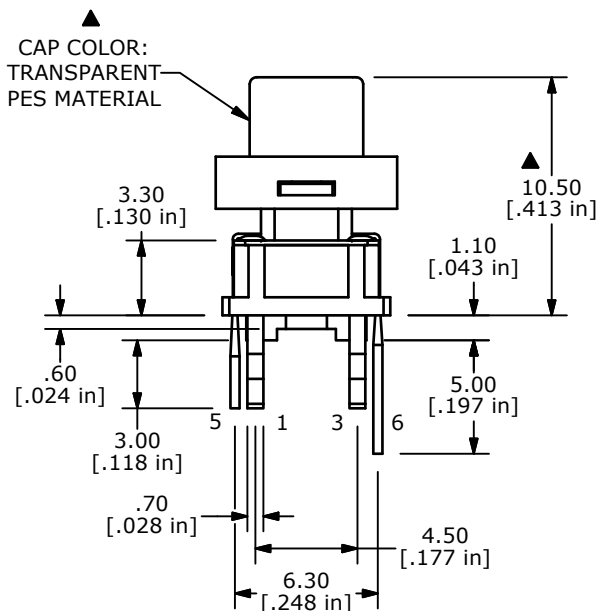
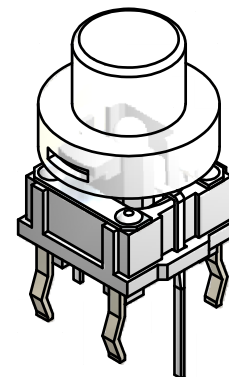
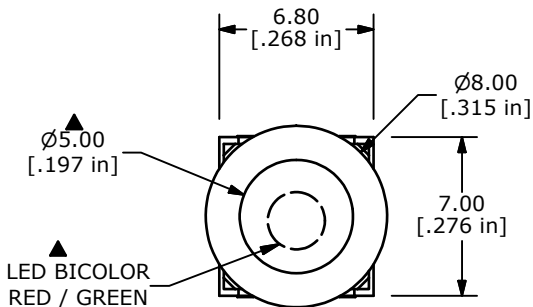
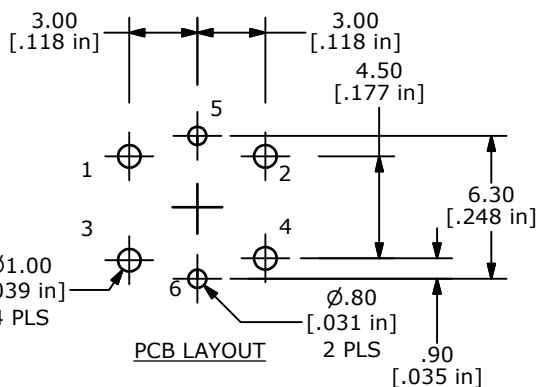


CIRCUIT: SPST ▲



▲ CAP COLOR:
TRANSPARENT
PES MATERIAL



PCB LAYOUT

NOTES:

1. ALL DIMENSIONS IN MM
2. GENERAL TOLERANCE: X.X=±0.4
X.XX=±0.25
3. RATING: 50mA, 12VDC
- ▲ 4. TRAVEL: 0.2 ±0.1
5. OPERATING FORCE: 160±50gf
6. CONTACT RESISTANCE: 100mΩ MAX
7. CONTACT MATERIAL: SILVER
8. OPERATING LIFE: 500,000 CYCLES
9. INSULATION RESISTANCE: 100MΩ MIN. @ 500VDC
10. DIELECTRIC STRENGTH: 500VDC FOR 1 MINUTE
- ▲ 11. LED COLOR: RED / GREEN
12. OPERATING TEMPERATURE: -20° C TO 70° C
13. 2002/95/EC (ROHS) COMPLIANT
14. ▲ DENOTES CRITICAL PARAMETER

▲ LED SPECS	UNITS	RED LED	GREEN LED
FORWARD CURRENT	mA	20	20
FORWARD VOLTAGE	V	1.95 TYP. - 2.5 MAX	2.1 TYP. - 2.5 MAX
LUMINOUS INTENSITY	mcd	70 typ.	500 typ.



TITLE TL1265RGQSCLR				
SCALE	DATE	DR	DWG	REV
3:1	9/27/2011	BGL	B200037	A

A	20179	RELEASE FOR PRODUCTION	9/27/11	BGL
REV	PCR NO	DESCRIPTION	DATE	BY

THE INFORMATION CONTAINED IN THIS DOCUMENT IS PROPRIETARY TO E-SWITCH AND IS NOT TO BE COPIED OR TRANSFERRED