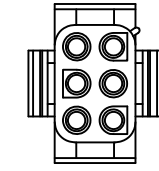
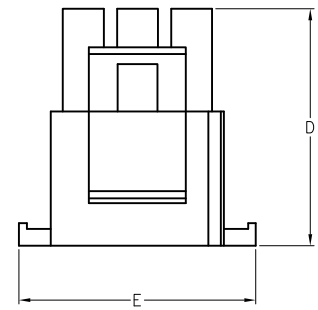
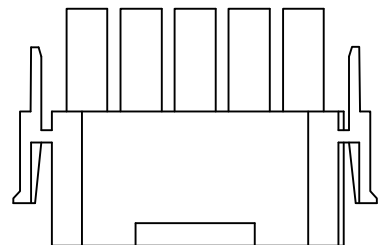
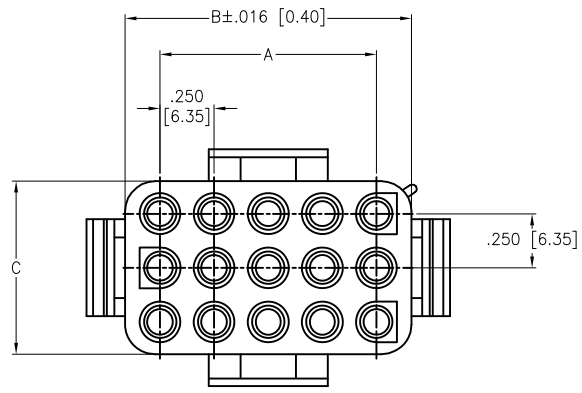
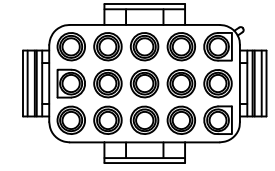


APPROVED: _____
 DATE: _____ TITLE: _____

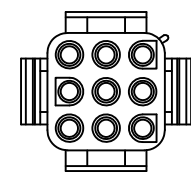
Rev	AWO #	Description	Date	Appr
-		RELEASED	2/21/20	



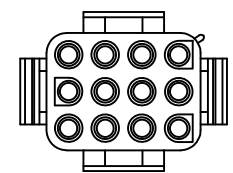
06P



15P



09P



12P

PRODUCT VIEW

Poles	Dimensions				
	A	B	C	D	E
06	.250 [6.35]	.550 [13.97]	.800 [20.32]	.094 [27.80]	1.091 [27.70]
09	.500 [12.70]	.807 [20.50]	.807 [20.50]	1.110 [28.20]	1.106 [28.10]
12	.750 [19.05]	1.067 [27.10]	.807 [20.50]	1.110 [28.20]	1.106 [28.10]
15	1.000 [25.40]	1.343 [34.10]	.811 [20.60]	1.114 [28.30]	1.122 [28.50]

SPECIFICATIONS:
 Material:
 Insulator: Nylon66, rated UL 94V-2
 Insulator color: Natural
 Electrical:
 Current rating: 06~15P: 9 Amp Max (With UL1007, 16AWG)
 Contact resistance: 20 mohms max
 Insulation resistance: 1,000M ohms min
 Dielectric withstanding voltage: 2,900 VAC for 1 minute
 Temperature Rating:
 -40°C to +105°C
 Environmental:
 Lead free, RoHS compliant.



UNLESS OTHERWISE SPECIFIED
 ALL DIMENSIONS ARE INCHES [MM]
 TOLERANCES: EXCEPT AS NOTED
 INCHES HOLES
 .X ± .10 ØX ± .10
 .XX ± .020 ØXX ± .015
 .XXX ± .015 ØXXX ± .010

ADAM TECH
 INTERCONNECTS
 909 Rahway Avenue,
 Union, NJ 07083
 Phone: 908-687-5000
 Fax: 908-687-5710

APPROVALS		DATE
DRAWN	LH	2/21/20
CHECKED	AY1	2/21/20
APPROVED		

TITLE .250 [6.35MM] PITCH CONNECTOR, 06~15 POS HOUSINGS, MALE, VERTICAL		
SIZE X	PART NO. DME-M2-XX-SQ	REV. -
REF: S00124T	SCALE: NTS	SHEET 1 OF 1