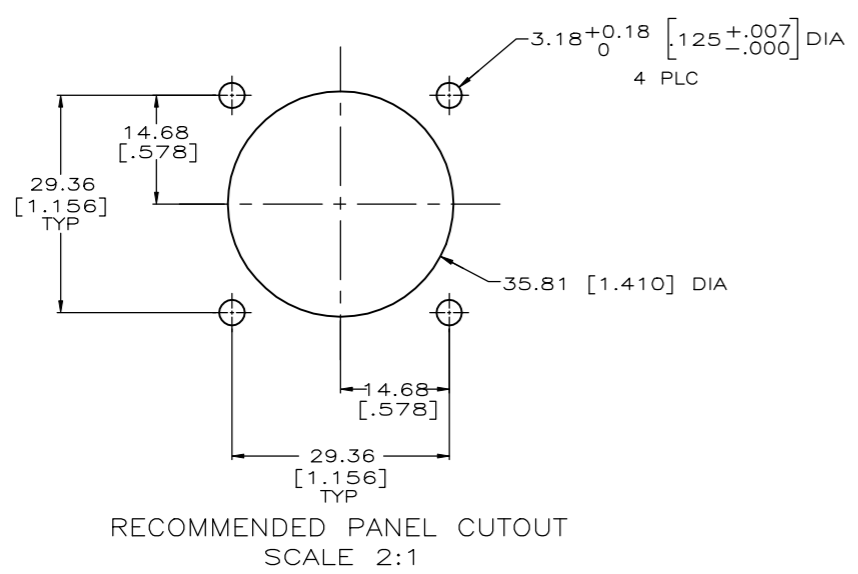
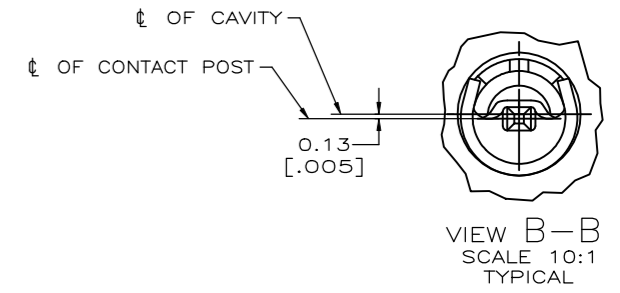
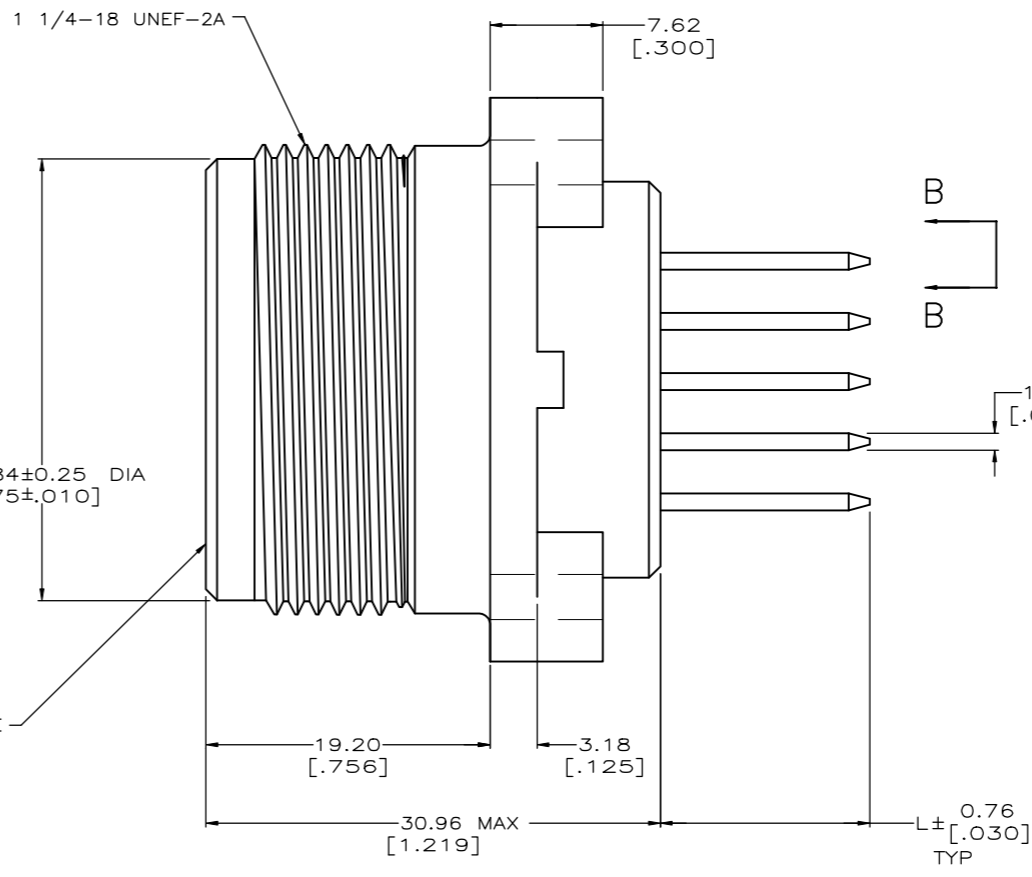
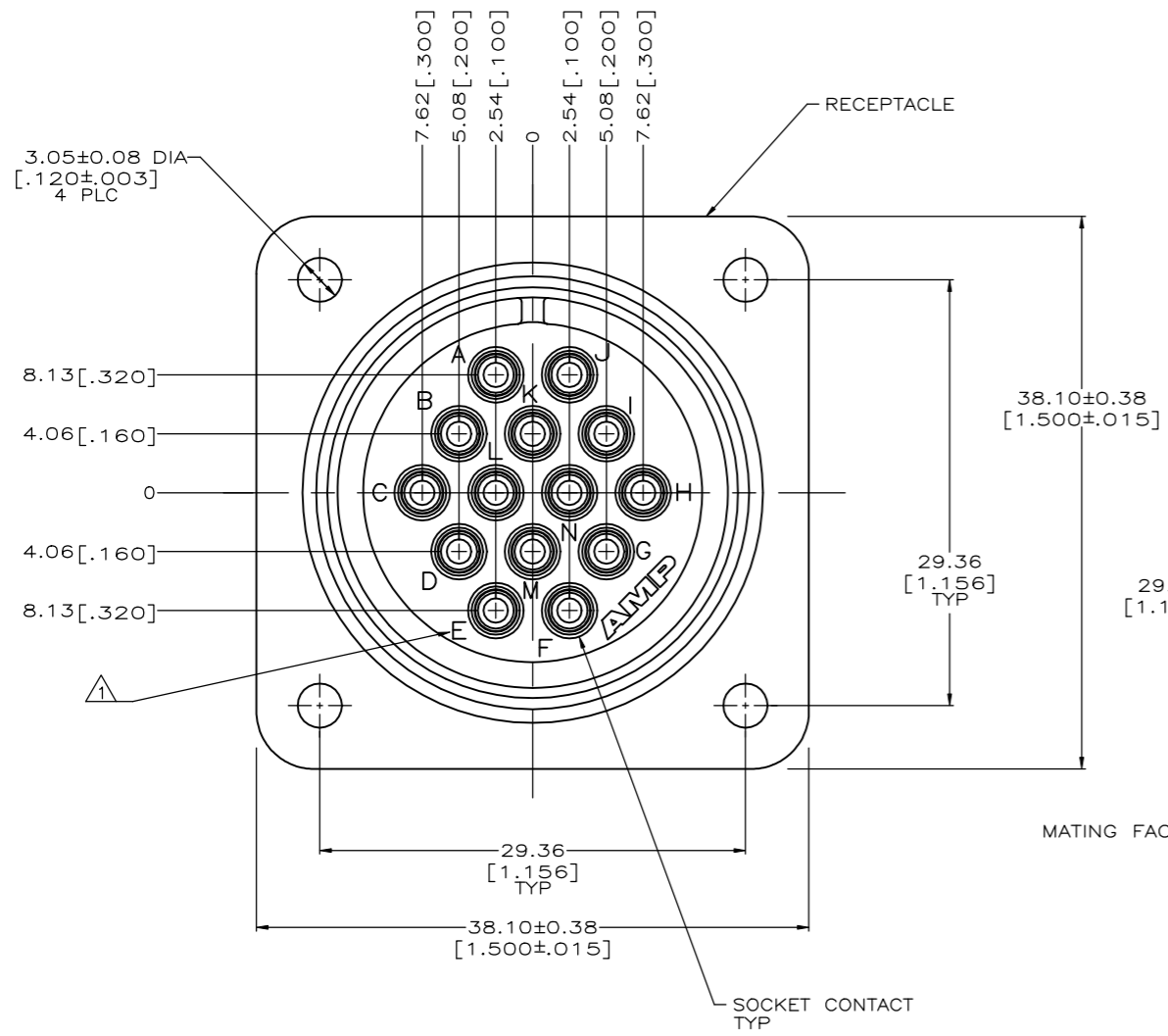


THIS DRAWING IS UNPUBLISHED.
 RELEASED FOR PUBLICATION
 ALL RIGHTS RESERVED.

REVISIONS					
#	LTR	DESCRIPTION	DATE	DMN	APFD
C3		REVISED PER ECO-16-004800	08SEP2016	NK	MZ
D		REVISED PER ECO-17-004657	05APR2017	RS	MZ
E		REVISED PER ECO-18-015685	05OCT2018	RS	MZ



- △ CAVITY IDENTIFICATION CHARACTERS ON FRONT AND REAR FACE.
- △ RECEPTACLE: NYLON, UL 94V-0 RATED, BLACK.
CONTACT AND POST: BRASS.
SPRING: STAINLESS STEEL.
- △ SOCKET CONTACT AND POST: 2.54um [.000100] MIN TIN-LEAD OVER 1.27um [.000050] MIN NICKEL.
- △ SOCKET CONTACT AND POST: 2.54um [.000100] MIN TIN OVER 1.27um [.000050] MIN NICKEL.
- △ OBSOLETE PARTS: OBSOLETE CIS STREAMLINING PER D.RENAUD/D.SINISI
- △ PRELIMINARY PART

DIM L	FINISH	POSITIONS LOADED	PART NUMBER
9.14 [.360]	△ 4	ALL	1-213928-5
14.15 [.557]	△ 4	B, C, D, E, F, H, I, J, L, M, N	-1-213928-4
	△ 4	A, B, C, D, E, F, G, H, K	-1-213928-3
	△ 4	A, B, C, D, E, K	1-213928-2
	△ 4	ALL	1-213928-1
OBSOLETE	△ 4	B, C, D, E, F, H, I, J, L, M, N	-213928-4
	△ 3	A, B, C, D, E, F, G, H, K	-213928-3
	△ 3	A, B, C, D, E, K	-213928-2
	△ 3	ALL	-213928-1

THIS DRAWING IS A CONTROLLED DOCUMENT.

DMN: C. OBERMAN 31 OCT 95	CHK: R. STONE 1 NOV 95	APFD: R. BYERS 2 NOV 95	NAME: R. BYERS
DIMENSIONS: mm [INCHES]		TOLERANCES UNLESS OTHERWISE SPECIFIED:	
0 PLC ± -		1 PLC ± -	
2 PLC ± 0.13 [.005]		3 PLC ± -	
4 PLC ± -		ANGLES ± -	
MATERIAL: △	FINISH: -	WEIGHT: -	SIZE: A1 00779
CUSTOMER DRAWING		SCALE: 4:1	SHEET 1 OF 1

RECEPTACLE ASSEMBLY, 20-14, REVERSE SEX, CPC

RESTRICTED TO: -