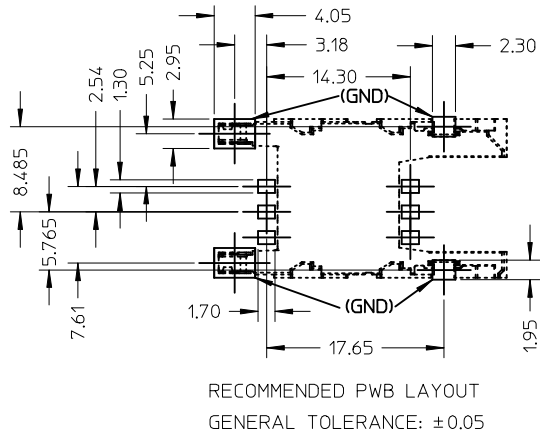
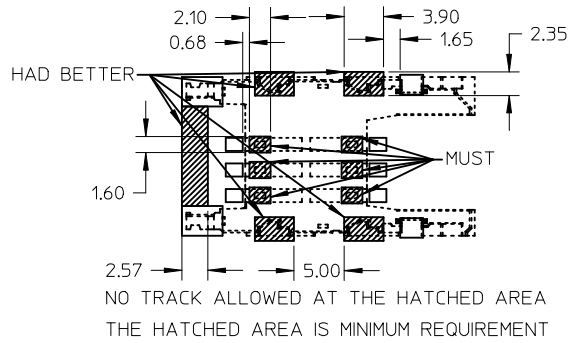


- NOTES:
- MATERIALS:
    - HOUSING: LIQUID CRYSTAL POLYMER
    - TERMINAL: COPPER ALLOY
    - NAIL: COPPER ALLOY
    - EXTRA NAIL: STAINLESS STEEL
    - SHELL: STAINLESS STEEL
  - FINISHES:
    - TERMINALS:
      - CONTACT AREA: 1.27-6.0um NICKEL UNDERPLATE ALL OVER WITH 0.3um MIN GOLD PLATING
      - SOLDERTAILS: 1.27-6.0um NICKEL UNDERPLATE ALL OVER WITH 2um MIN TIN PLATING
    - SHELL: NON-PLATED
    - NAILS: 2.0-6.0um NICKEL UNDERPLATE ALL OVER WITH GOLD FLASH OVERALL
    - EXTRA NAILS: 2.0-6.0um NICKEL UNDERPLATE ALL OVER WITH 2um MIN TIN PLATING ALL OVER
  - MOUNT SURFACE COPLANARITY FOR ALL TAILS: 0.10MAX.
  - DATE CODE: YY-YEAR MM-MONTH DD-DATE
  - INITIAL LOCKING FORCE SHOULD BE 10N MAX., UNLOCKING FORCE SHOULD BE 3~10N

PROPOSAL EC NO: SH2008-0653 DRW: LLIU10 CHKD: YI ZHU APPR: HWANG 2008/09/17 2008/09/17 2008/10/08	QUALITY SYMBOLS	GENERAL TOLERANCES (UNLESS SPECIFIED)		DIMENSION STYLE	SCALE	DESIGN UNITS	THIRD ANGLE PROJECTION
	▽=0 ◻=0	mm	INCH	MM ONLY	2:1	METRIC	
		4 PLACES ± --- ± ---	3 PLACES ± --- ± ---	DRAWN BY	DATE	TITLE	
		2 PLACES ± 0.25 ± ---	1 PLACE ± 0.3 ± ---	LLIU10	2008/03/14	HINGED SIM SOCKET (SHIELDED TYPE)	
	ANGULAR ± 3 °	DRAFT WHERE APPLICABLE MUST REMAIN WITHIN DIMENSIONS		CHECKED BY	DATE	MOLEX INCORPORATED	
				APPROVED BY	DATE	MOLEX INCORPORATED	
				MATERIAL NO.	DOCUMENT NO.	SHEET NO.	
				1050390001	SD-105039-001	1 OF 2	
				THIS DRAWING CONTAINS INFORMATION THAT IS PROPRIETARY TO MOLEX INCORPORATED AND SHOULD NOT BE USED WITHOUT WRITTEN PERMISSION			



<b>PROPOSAL</b> EC NO: SH2008-0653 DRW: LLIU10 2008/09/17 CHK: YLZHU 2008/09/17 APPR: HWANG 2008/10/08 A	QUALITY SYMBOLS ▽=0 ◻=0	GENERAL TOLERANCES (UNLESS SPECIFIED)		DIMENSION STYLE <b>MM ONLY</b>	SCALE <b>1:1</b>	DESIGN UNITS <b>METRIC</b>	THIRD ANGLE PROJECTION			
		4 PLACES ± --- ± --- 3 PLACES ± --- ± --- 2 PLACES ± 0.25 ± --- 1 PLACE ± 0.3 ± ---	mm INCH	DRAWN BY LLIU10	DATE 2008/03/14	TITLE <b>HINGED SIM SOCKET (SHIELDED TYPE)</b>				
		ANGULAR ± 3 °		CHECKED BY	DATE	APPROVED BY				
		DRAFT WHERE APPLICABLE MUST REMAIN WITHIN DIMENSIONS		MATERIAL NO. <b>1050390001</b>	DOCUMENT NO. <b>SD-105039-001</b>	MOLEX INCORPORATED				
				SIZE <b>A3</b>	THIS DRAWING CONTAINS INFORMATION THAT IS PROPRIETARY TO MOLEX INCORPORATED AND SHOULD NOT BE USED WITHOUT WRITTEN PERMISSION					
						SHEET NO. <b>2 OF 2</b>				