

Dimension

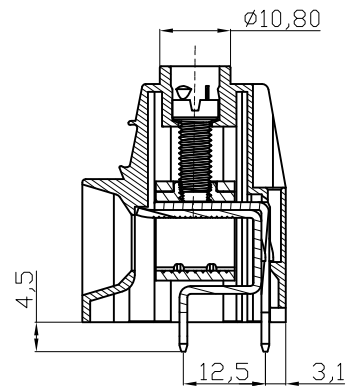
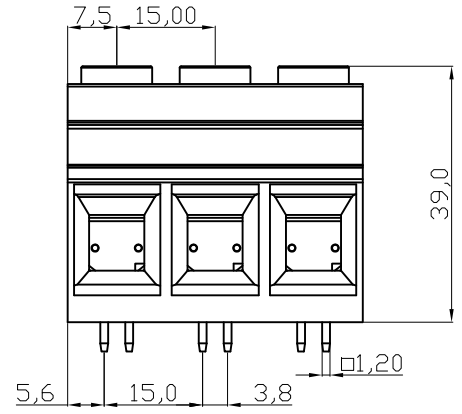
Pole	DIM A	DIM B
2	30.00±0.30	15.00±0.20
3	45.00±0.30	30.00±0.30
4	60.00±0.50	45.00±0.30
5	75.00±0.50	60.00±0.50
6	90.00±0.80	75.00±0.50
7	105.00±0.80	90.00±0.80
8	120.00±0.80	105.00±0.80
9	135.00±0.80	120.00±0.80
10	150.00±0.80	135.00±0.80

Material

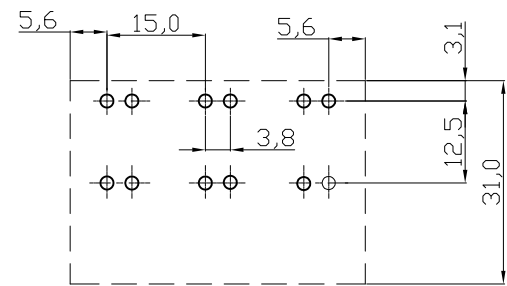
- Terminal (metal housing): Steel Stamping
- Insulator(housing): Thermoplastic(UL94V-0), Green
- Terminal Screw: Cr3+Zn plating""slot type
- Contact: Brass
- Surface of solder tail: Tin plated

Electrical

- Voltage rating: 600V
- Current rating: 125A
- Wire range:
- Solid wire(AWG):2-20
- Stranded wire(AWG):2-20
- Torque:36.5Lb-In
- Screw:M5
- Wire strip length:12-15mm
- Withstanding Voltage: 2.2KV
- Operating temperature: -30°C to +105°C
- Soldering temperature:250°C±10°C/5Sec
- Safety Approval: US



SECTION A-A



PCB LAYOUT

RoHS compliant

Scale	1:1
TOLERANCE	
X.	±0.50
X.X	±0.30
X.XX	±0.10
DIM	TOL
X.°	±1°
Angle	TOL

①	Drawn	10.12.2009	Dean
	Modification	Date	Name

ASSMANN
W/SW components

Date	Name	Customer-No.
10.12.2009	Dean	
Approved	10.12.2009	Hellwig
		ASSMANN WSW-No. A-TB150-EIxx
Drawing-No.		
ASS 3808 CO		rev01
Replace	Sheet	

1

2

3

4

5

6

7