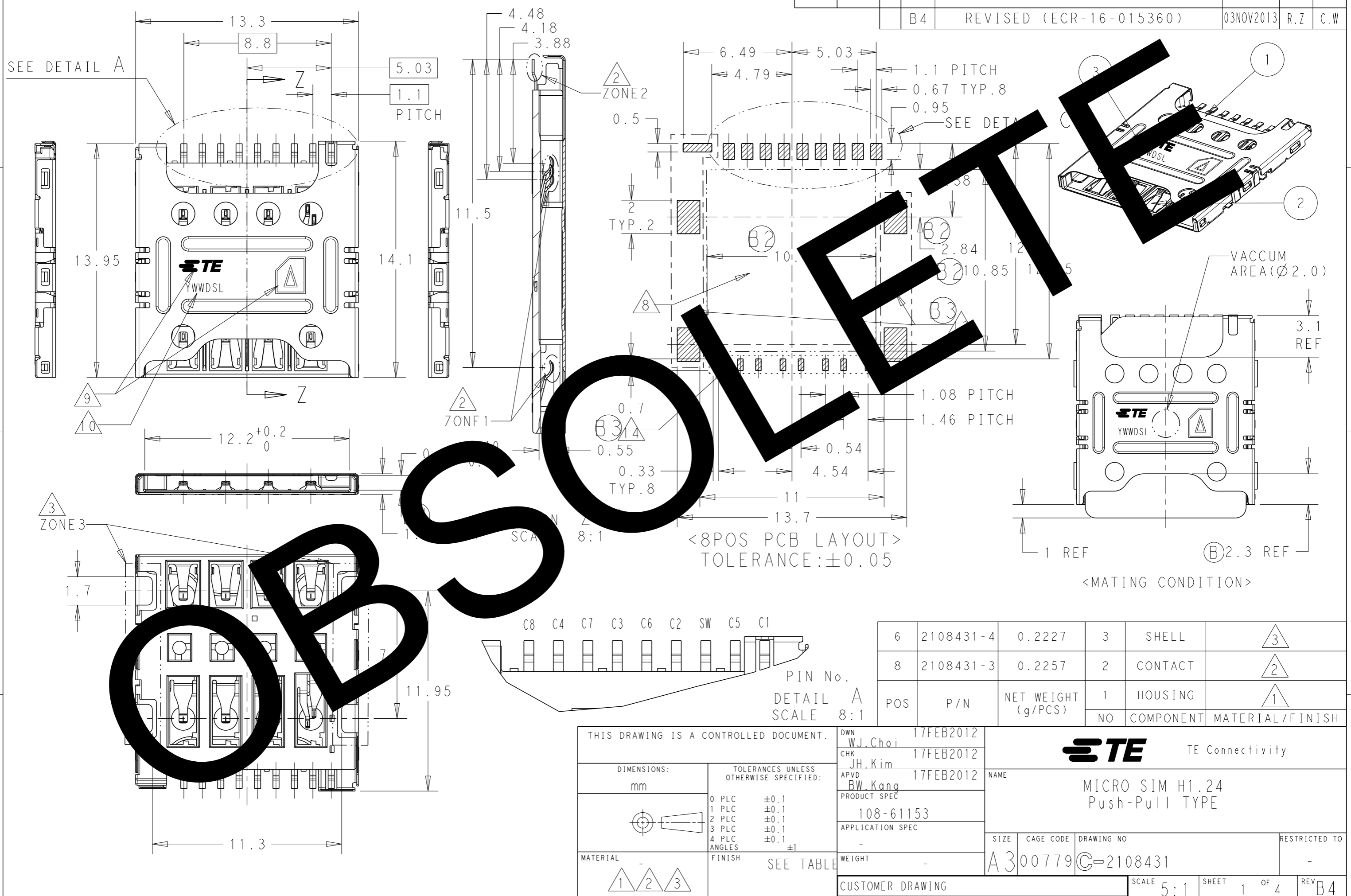


THIS DRAWING IS UNPUBLISHED. RELEASED FOR PUBLICATION 20
 © COPYRIGHT 20 BY - ALL RIGHTS RESERVED.

LOC	DIST	REVISIONS				
P	LTR	DESCRIPTION	DATE	DWN	APVD	
-	-	B4	REVISED (ECR-16-015360)	03NOV2013	R.Z	C.W

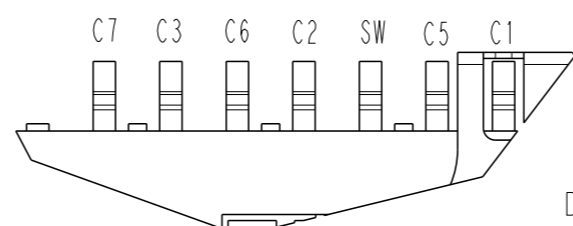
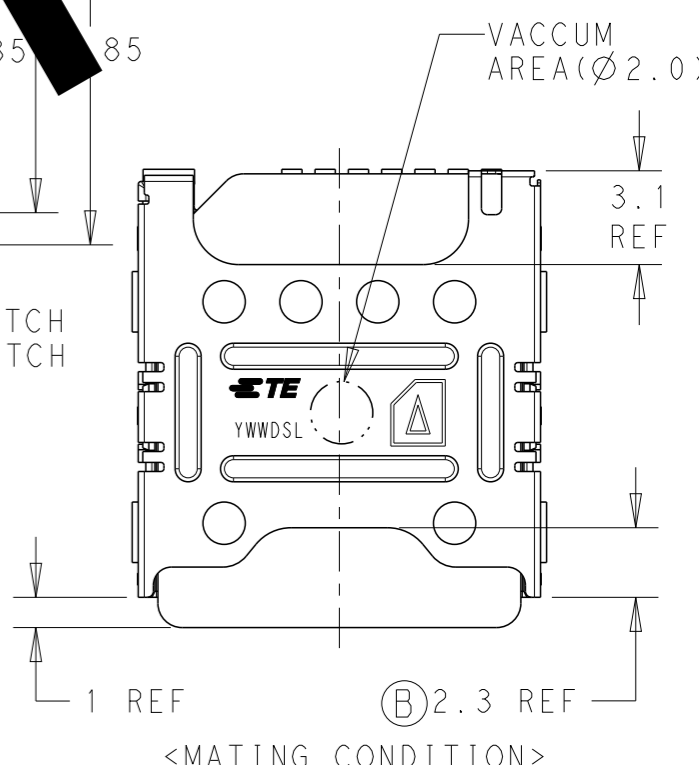
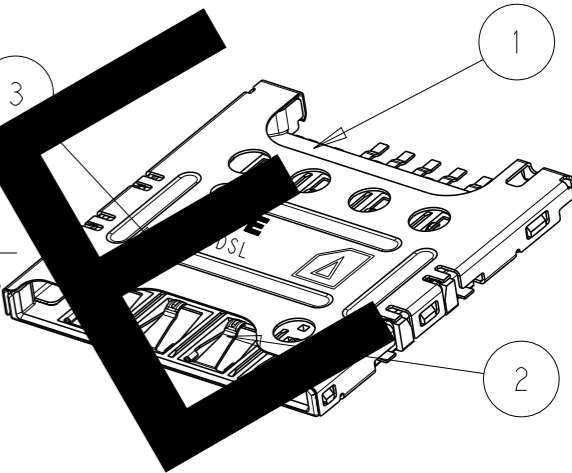
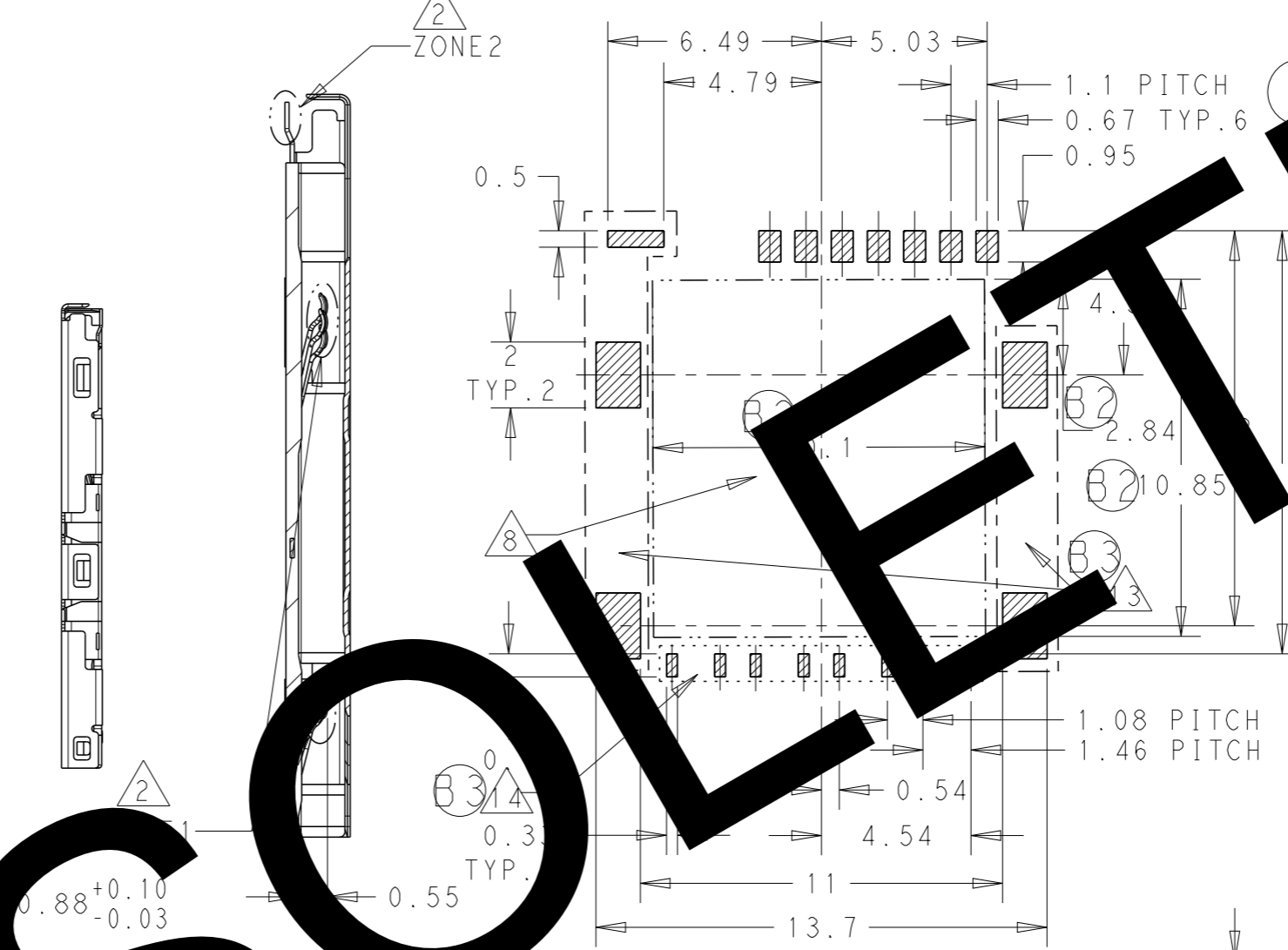
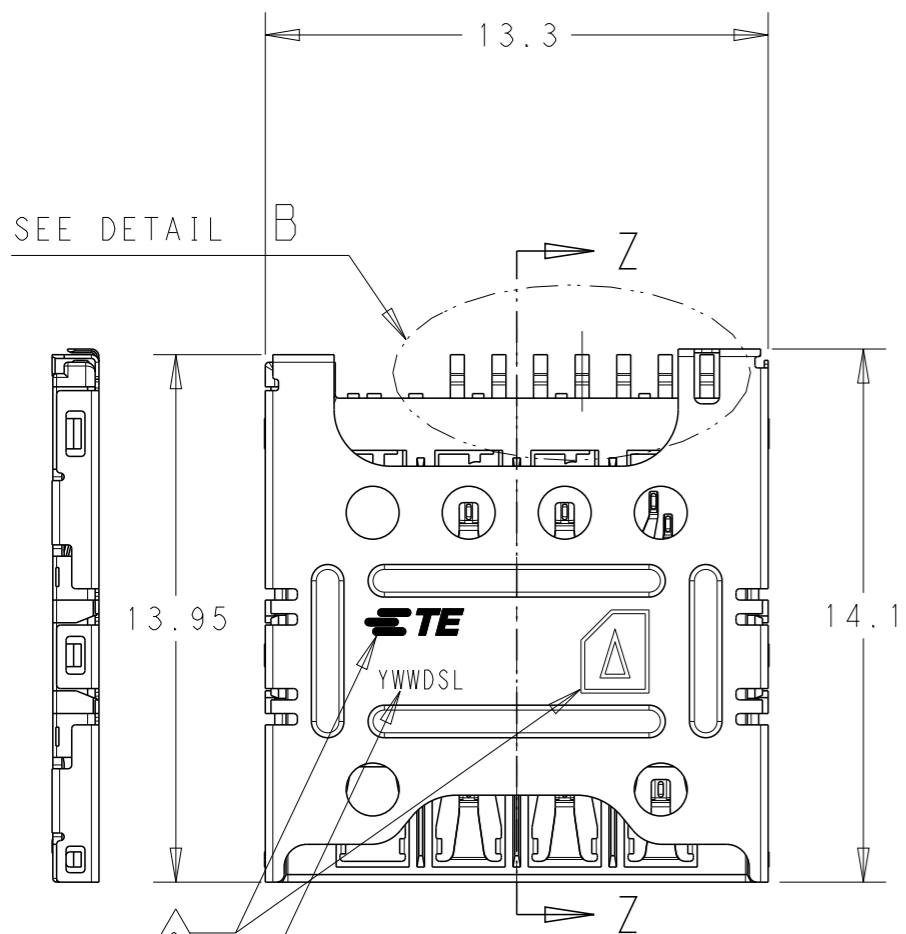


POS	P/N	NET WEIGHT (g/PCS)	NO	COMPONENT	MATERIAL/FINISH
6	2108431-4	0.2227	3	SHELL	△3
8	2108431-3	0.2257	2	CONTACT	△2
1			1	HOUSING	△1

THIS DRAWING IS A CONTROLLED DOCUMENT.		DWN	WJ.Choi	17FEB2012
DIMENSIONS: mm		CHK	JH.Kim	17FEB2012
TOLERANCES UNLESS OTHERWISE SPECIFIED:		APVD	BW.Kang	17FEB2012
0 PLC	±0.1	PRODUCT SPEC	108-61153	
1 PLC	±0.1	APPLICATION SPEC	-	
2 PLC	±0.1	WEIGHT	-	
3 PLC	±0.1	CUSTOMER DRAWING	-	
4 PLC	±0.1			
ANGLES	±1			
FINISH	SEE TABLE			
MATERIAL				
△1 △2 △3				

TE Connectivity		NAME	
		MICRO SIM H1.24 Push-Pull TYPE	
SIZE	CAGE CODE	DRAWING NO	RESTRICTED TO
A3	00779	C-2108431	-
SCALE 5:1		SHEET 1 OF 4	REV B4

P	LTR	DESCRIPTION	DATE	DWN	APVD
		SEE SHEET 1			



SOLE

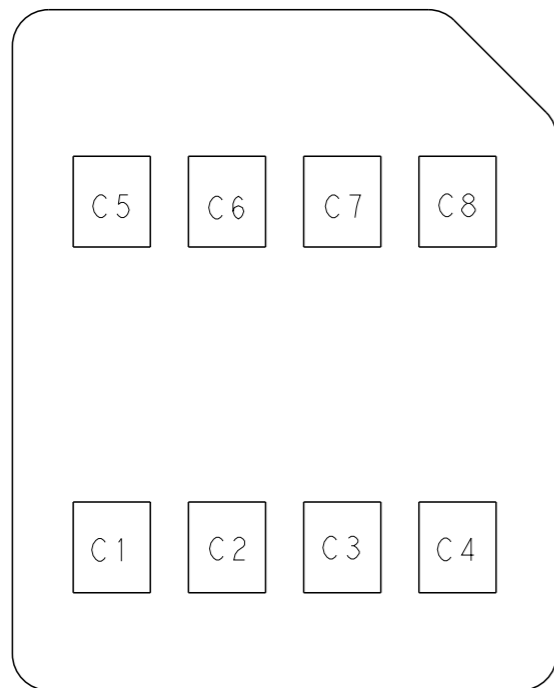
OB

NO	COMPONENT	MATERIAL/FINISH
3	SHELL	△3
2	CONTACT	△2
1	HOUSING	△1

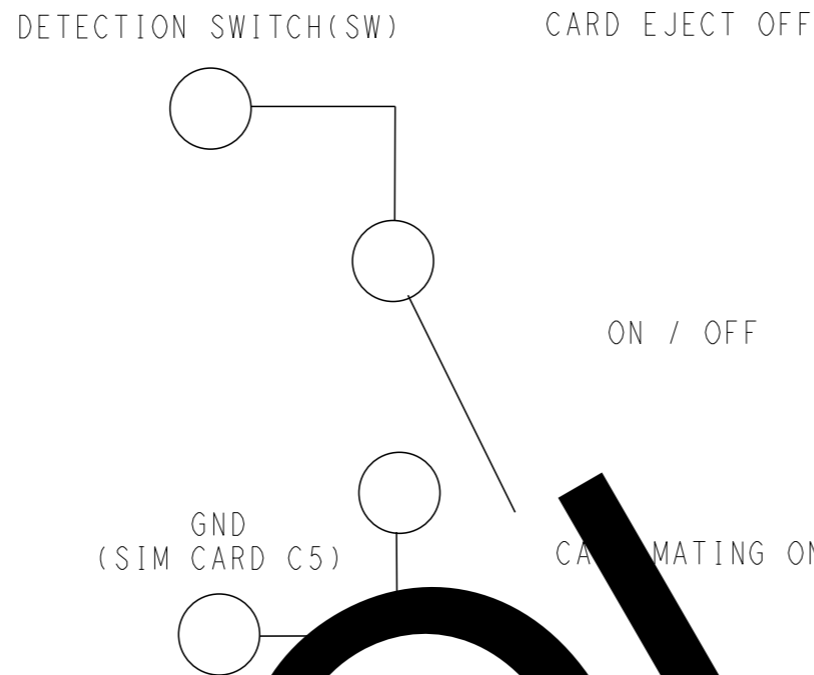
THIS DRAWING IS A CONTROLLED DOCUMENT.		DWN WJ.Choi 17FEB2012	TE Connectivity	
DIMENSIONS: mm		CHK JH.Kim 17FEB2012		
TOLERANCES UNLESS OTHERWISE SPECIFIED:		APVD BW.Kang 17FEB2012	NAME MICRO SIM 1.24 Push-Pull TYPE	
0 PLC ±0.1		PRODUCT SPEC 108-61153	SIZE CAGE CODE DRAWING NO RESTRICTED TO	
1 PLC ±0.1		APPLICATION SPEC -	A300779 C-2108431	
2 PLC ±0.1		WEIGHT -	SCALE 5:1 SHEET 2 OF 4 REV B4	
3 PLC ±0.1		CUSTOMER DRAWING		
4 PLC ±0.1				
ANGLES ±1				
FINISH SEE TABLE				
MATERIAL △1 △2 △3				

P	LTR	DESCRIPTION	DATE	DWN	APVD
		SEE SHEET 1			

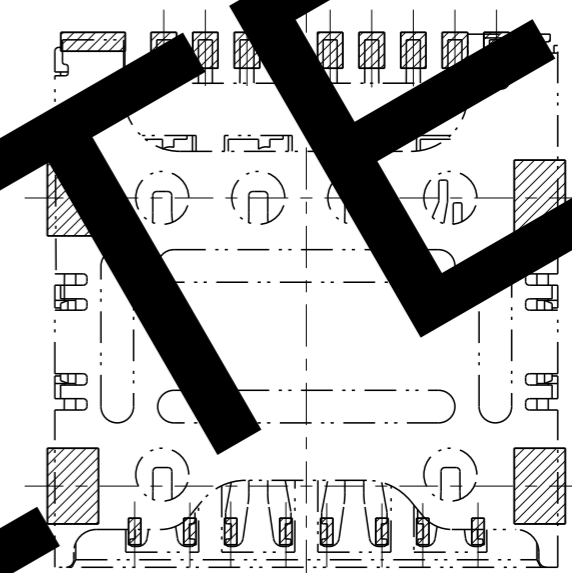
0.76±0.08



SIM CARD PAD LAYOUT



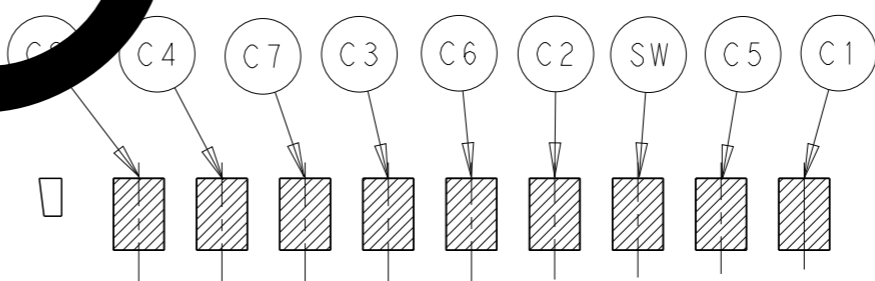
CIRCUIT DRAWING OF SWITCH



MATCH WITH PCB LAYOUT SCALE <5:1>

PIN No.	PIN NAME
SW	DETECTION SWITCH
C7	I/O
C6	PP
C5	RD
C4	RESERVED
C3	CLK
C2	RST
C1	VCC

SIM CARD PIN ASSIGNMENT



PCB LAYOUT (REFERENCE) (VIEW FROM CONNECTOR MOUNT SIDE) DETAIL C SCALE 10:1

THIS DRAWING IS A CONTROLLED DOCUMENT.		DWN WJ.Choi 17FEB2012	TE Connectivity	
DIMENSIONS: mm		CHK JH.Kim 17FEB2012		
TOLERANCES UNLESS OTHERWISE SPECIFIED:		APVD BW.Kang 17FEB2012	NAME MICRO SIM 1.24 Push-Pull TYPE	
0 PLC ±0.1		PRODUCT SPEC 108-61153	SIZE CAGE CODE DRAWING NO RESTRICTED TO	
1 PLC ±0.1		APPLICATION SPEC -	A300779 C-2108431	
2 PLC ±0.1		WEIGHT -	SCALE 6:1 SHEET 3 OF 4 REV B4	
3 PLC ±0.1		CUSTOMER DRAWING		
4 PLC ±0.1				
ANGLES ±1				
FINISH SEE TABLE				

THIS DRAWING IS UNPUBLISHED.

RELEASED FOR PUBLICATION

20

© COPYRIGHT 20 BY -

ALL RIGHTS RESERVED.

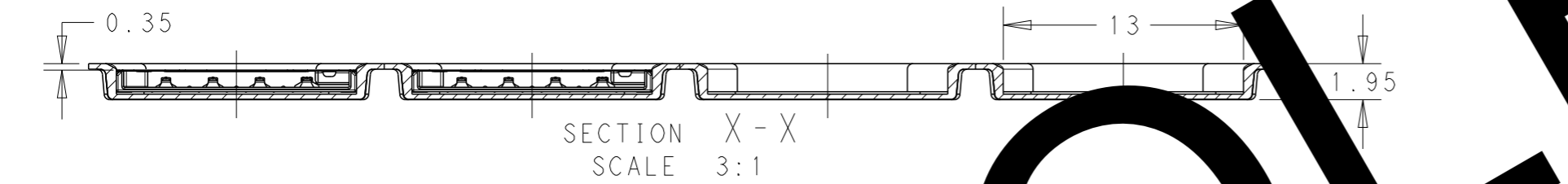
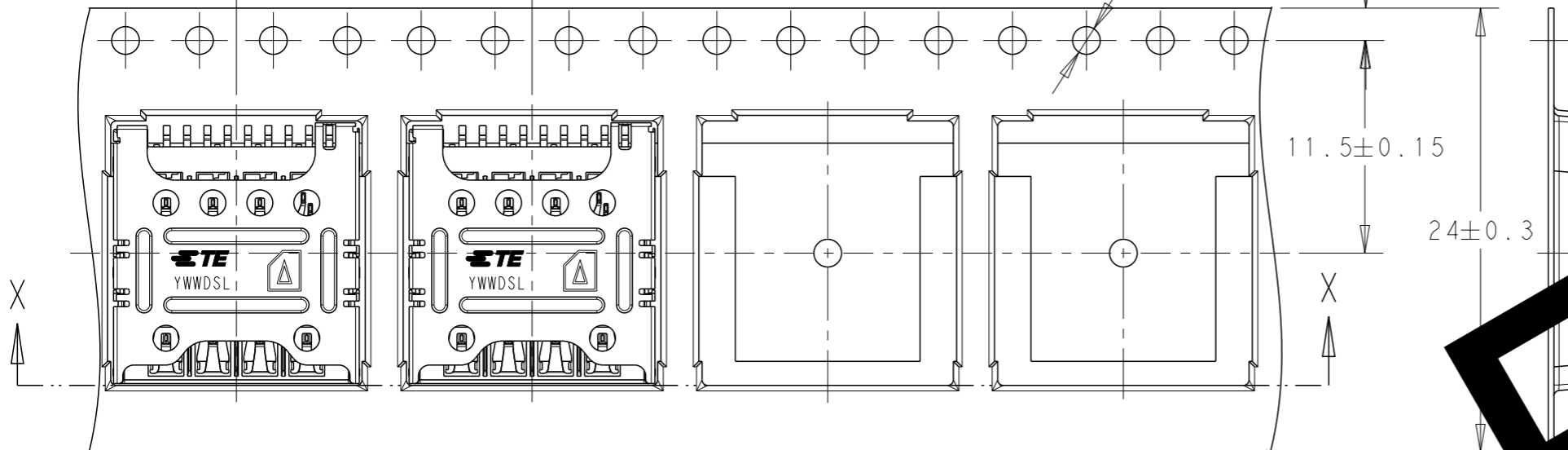
LOC	DIST
-	-

REVISIONS

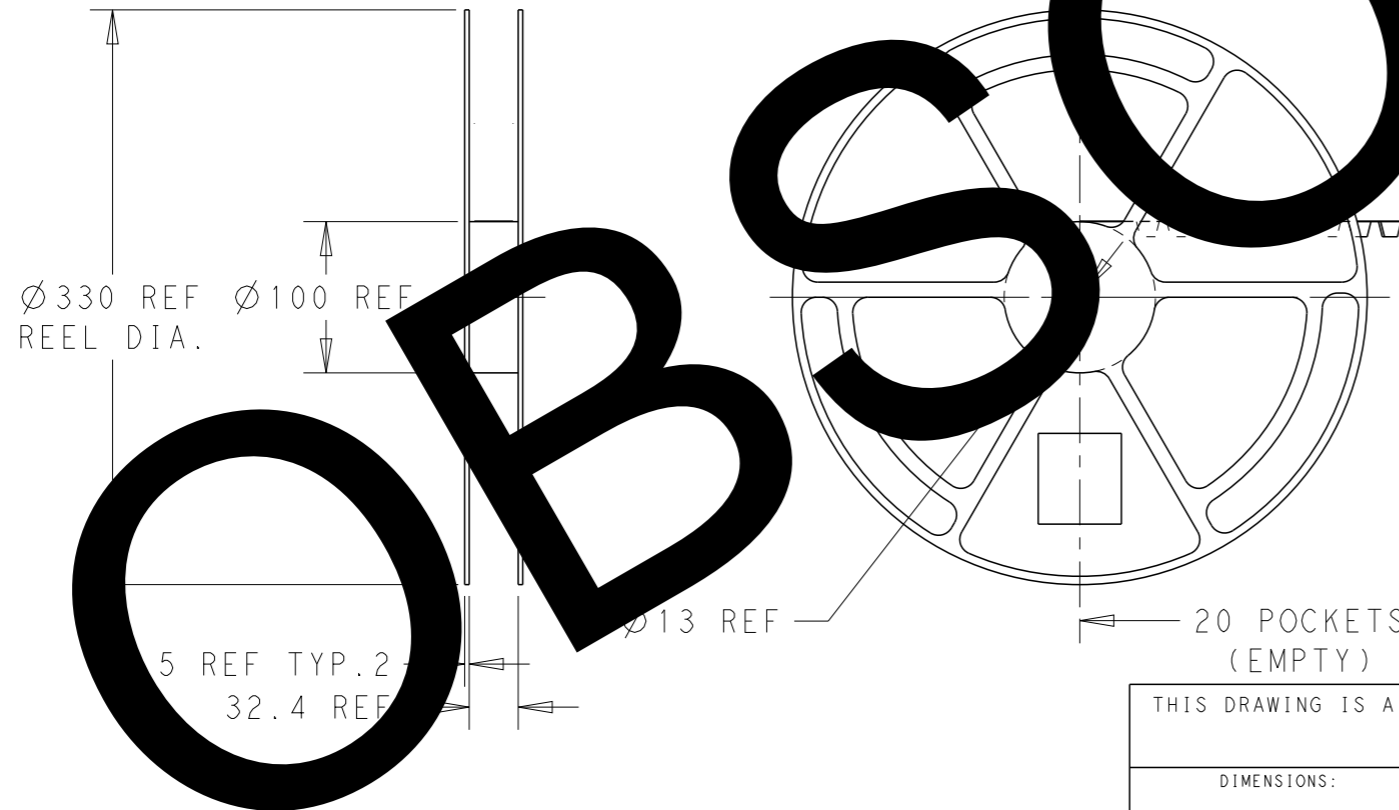
P	LTR	DESCRIPTION	DATE	DWN	APVD
		SEE SHEET 1			



1. HOUSING MATERIAL : THERMO PLASTIC RESIN.
2. CONTACT MATERIAL : COPPER ALLOY.
FINISH : 1.3um MIN. NICKEL PLATING ALL OVER,
GOLD PLATING 0.3um MIN. ZONE 1,
GOLD PLATING 0.3um MIN. ZONE 2.
3. SHELL MATERIAL : STAINLESS STEEL.
FINISH : 1.3um MIN. NICKEL PLATING ALL OVER,
TIN PLATING 0.3um MIN. ZONE 3.
4. COPLANARITY : 0.15 MAX
5. COPLANARITY MEASURED ON 8 CONTACTS & 5 CLIP PEGS IN ONE PASS.
6. DIMENTION MEASURED FROM PLASTIC TO CENTER OF CLIP PEGS.
7. BROKEN BURR IS NOT PERMITTED.
8. NO STRIP-LINE AREA
9. TE LOGO, CARD INSERTION LOGO
10. DATE : YWDSL (YEAR, WEEK, DAY, SHIFT, LINE)
11. MUST NOT CONTAIN ANY SUBSTANCE WHICH ARE SPECIFIED IN (OGA-2049)
12. PACKING QUANTITY : 2000PCS/REEL
13. GROUND PATTERN
14. THIS PATTERN IS NOT GROUND. IT IS ONLY FLOTING PATTERN.




400mm REF
FEEDING THE COVER TAPE.



WITH PRODUCT CHARGE 2000EA/1REEL

20 POCKETS (EMPTY)

THIS DRAWING IS A CONTROLLED DOCUMENT.		DWN WJ.Choi 17FEB2012	 TE Connectivity		
DIMENSIONS: mm		CHK JH.Kim 17FEB2012			
TOLERANCES UNLESS OTHERWISE SPECIFIED:		APVD BW.Kang 17FEB2012	NAME		
0 PLC ±0.2 1 PLC ±0.2 2 PLC ±0.2 3 PLC ±0.2 4 PLC ±0.2 ANGLES ±1		PRODUCT SPEC 108-61153	MICRO SIM H1.24 Push-Pull TYPE		
MATERIAL -		APPLICATION SPEC -	SIZE A3	CAGE CODE 00779	DRAWING NO C-2108431
FINISH SEE TABLE		WEIGHT -	RESTRICTED TO -		
		CUSTOMER DRAWING	SCALE 5:1	SHEET 4 OF 4	REV B4