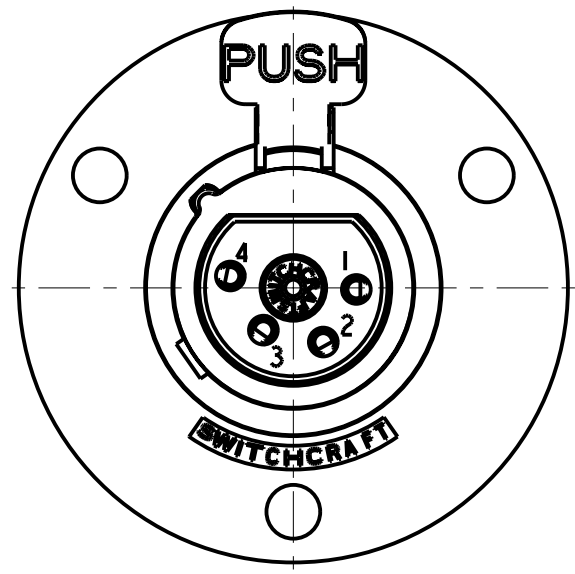
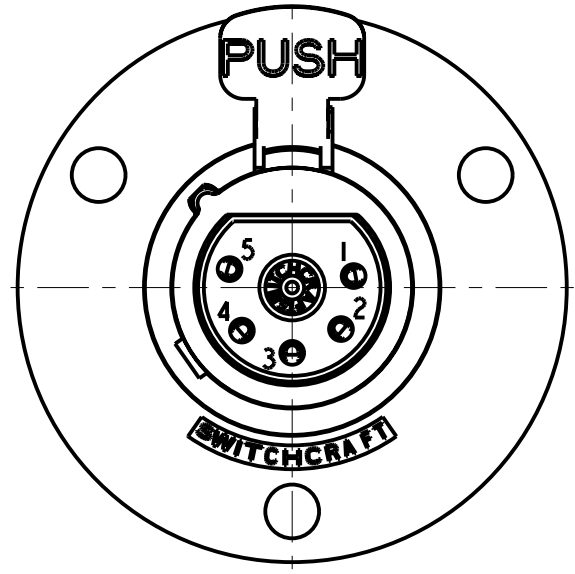


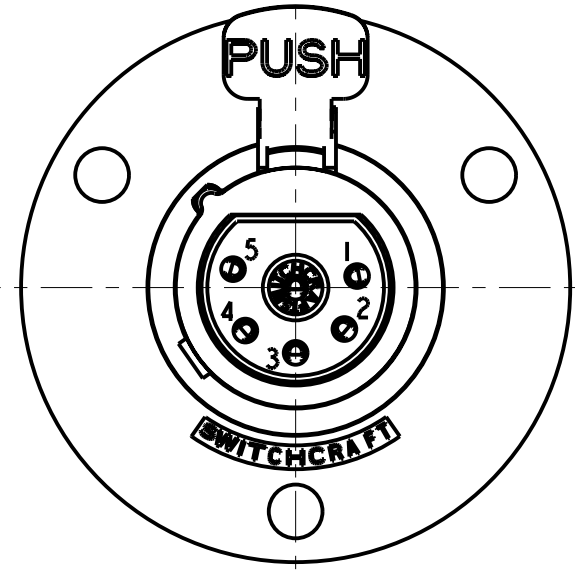
3 PIN



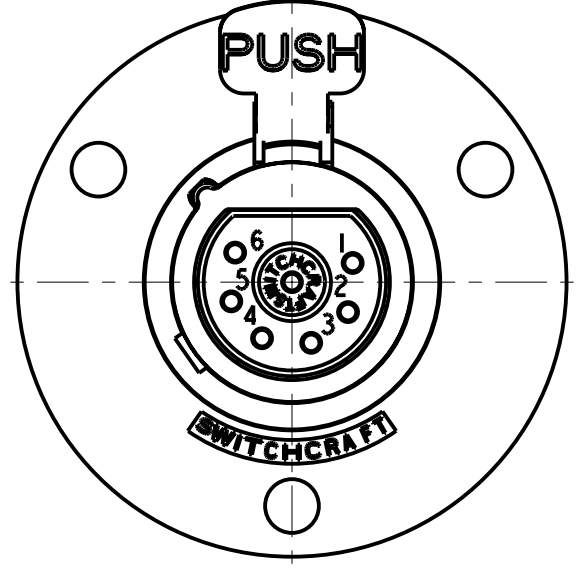
4 PIN



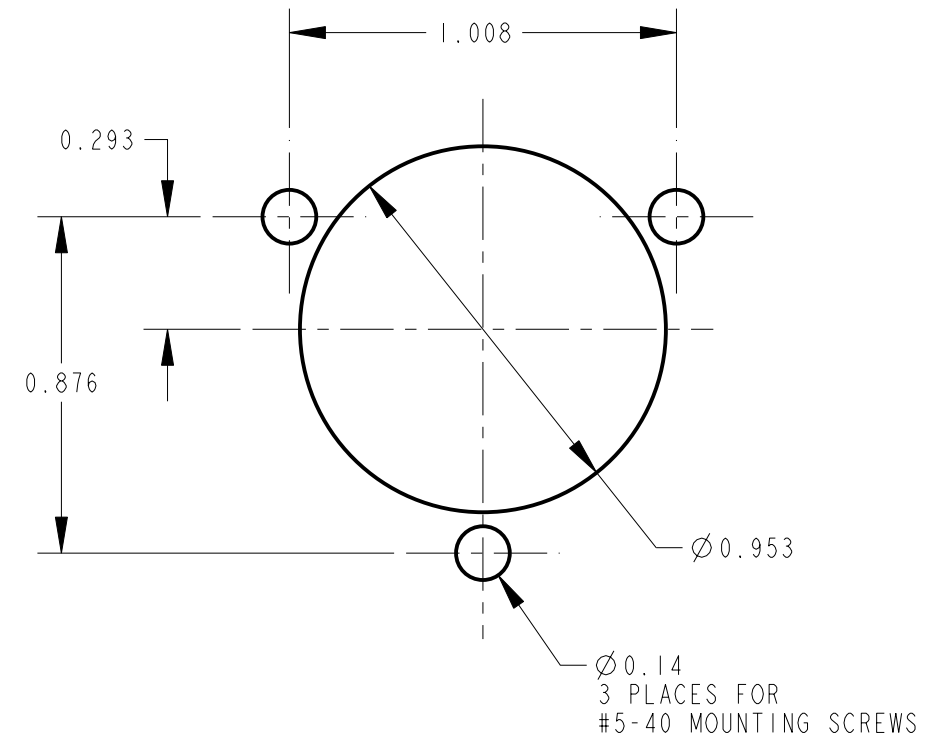
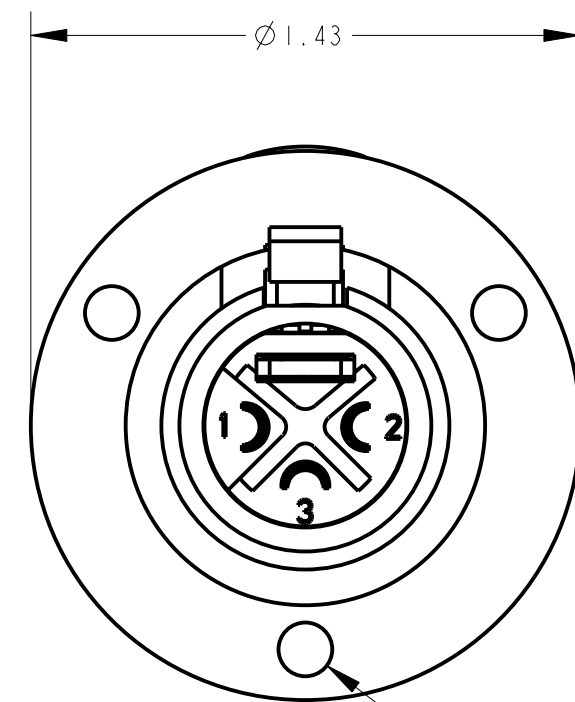
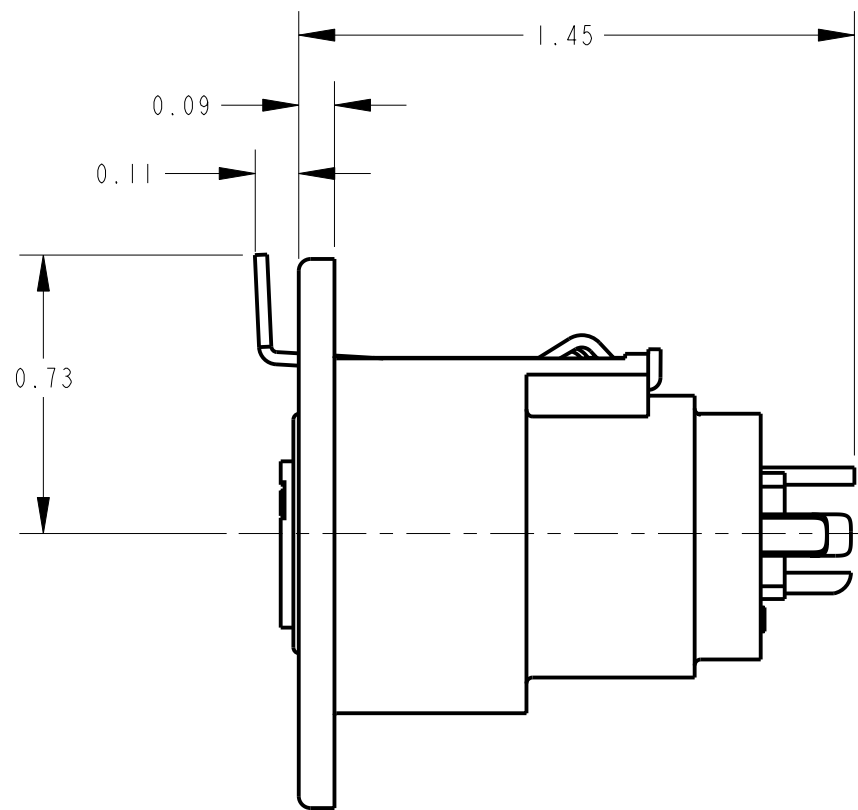
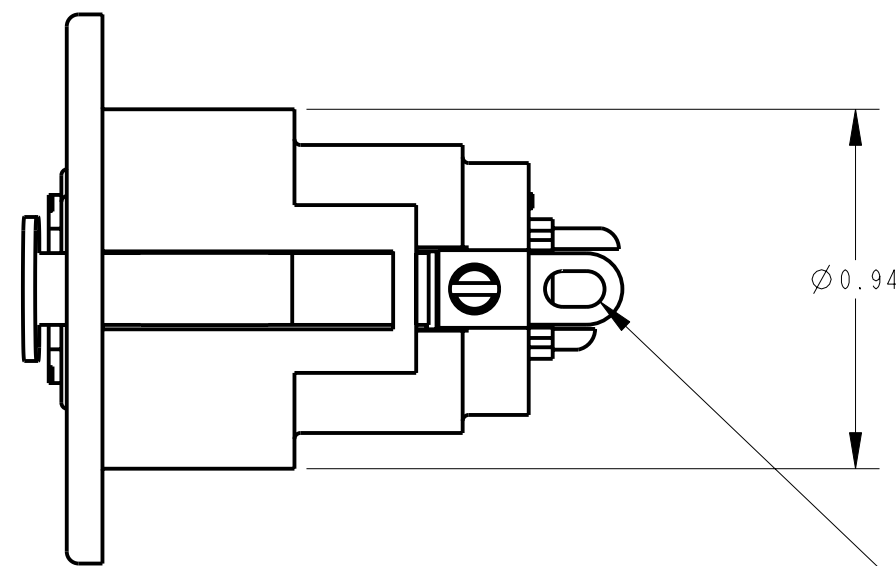
5 PIN



6 PIN



7 PIN



PANEL CUT-OUT

STANDARD SERIES

- SCREW - STAINLESS STEEL
- SHELL - STAINLESS STEEL
- LATCH BUTTON - ZINC, NICKEL PLATED (M)
- INSULATOR - POLYESTER, GREEN OR BLACK
- SOLDER TERMINAL - BRASS, ELECTRO TIN
- LATCH SPRING - STAINLESS STEEL
- CONTACT PIN - PHOSPHOR BRONZE, SILVER OR GOLD PLATED
- HOUSING - ZINC, NICKEL OR BLACK PLATED
- RELEASE LEVER - STEEL, NICKEL OR BLACK PLATED

AU = GOLD
BLANK = SILVER
CONTACT PLATING

HOUSING FINISH SEE NOTE 2
BLANK = TEXTURED (STANDARD)
S = SANDED
BX = BLACK RoHS

- NO. OF CONTACTS:
- 3 = 3 CONTACTS
 - 4 = 4 CONTACTS
 - 5 = 5 CONTACTS
 - 6 = 6 CONTACTS
 - 7 = 7 CONTACTS

PROFESSIONAL SERIES

HOUSING FINISH - MATTE CHROME
CONTACT PLATING - GOLD

OGP 26

- NO. OF CONTACTS:
- 3 = 3 CONTACTS

NOTES:

1. ALL DIMENSIONS REF. UNLESS OTHERWISE SPECIFIED.
- (M) 2. BLACK HOUSING AND INSERT WITH SATIN NICKEL PLATED LATCH.
- (M) 3. THIS PRODUCT IS RoHS COMPLIANT.

REV	ECO NUMBER	DATE	BY	APVD
M	26158	10-4-06	TO	TJK
L	23566	10-26-00	RJ	DK
K	22895	9-20-99	DA	RB
REVISIONS				

★ STAR SYMBOL DENOTES CRITICAL DIMENSION

UNLESS OTHERWISE SPECIFIED

1. ALL DIMENSIONS IN INCHES
- TWO PLACE DECIMALS ±0.01
- THREE PLACE DECIMALS ±0.005
- ANGLES ±1°
- ALL DIA. CONCENTRIC WITHIN 0.005 T.I.R.
2. FEATURES ON THE SAME CENTERLINE MUST BE ALIGNED WITHIN ±0.002
3. REMOVE ALL BURRS

DO NOT SCALE DRAWING

THIS DRAWING DESCRIBES A DESIGN CONSIDERED PROPRIETARY IN NATURE, DEVELOPED AND MANUFACTURED BY SWITCHCRAFT INC. AND IS RELEASED ON A CONFIDENTIAL BASIS FOR IDENTIFICATION PURPOSES ONLY.				
SIZE	WIDTH	MULT	LBS/M	TEMPER
FINISH SPEC No.		MATERIAL SPEC No.		
FIRST USED ON		SCALE 2:1		
DATE DRAWN	BY	CHKD	APVD	Switchcraft
12-11-93	SG	AA 7-12-94	GHJ 7-12-94	
NAME				PART No.
C SERIES FEMALE OG, RoHS				C_F SERIES
				REV M

CUSTOMER DRAWING