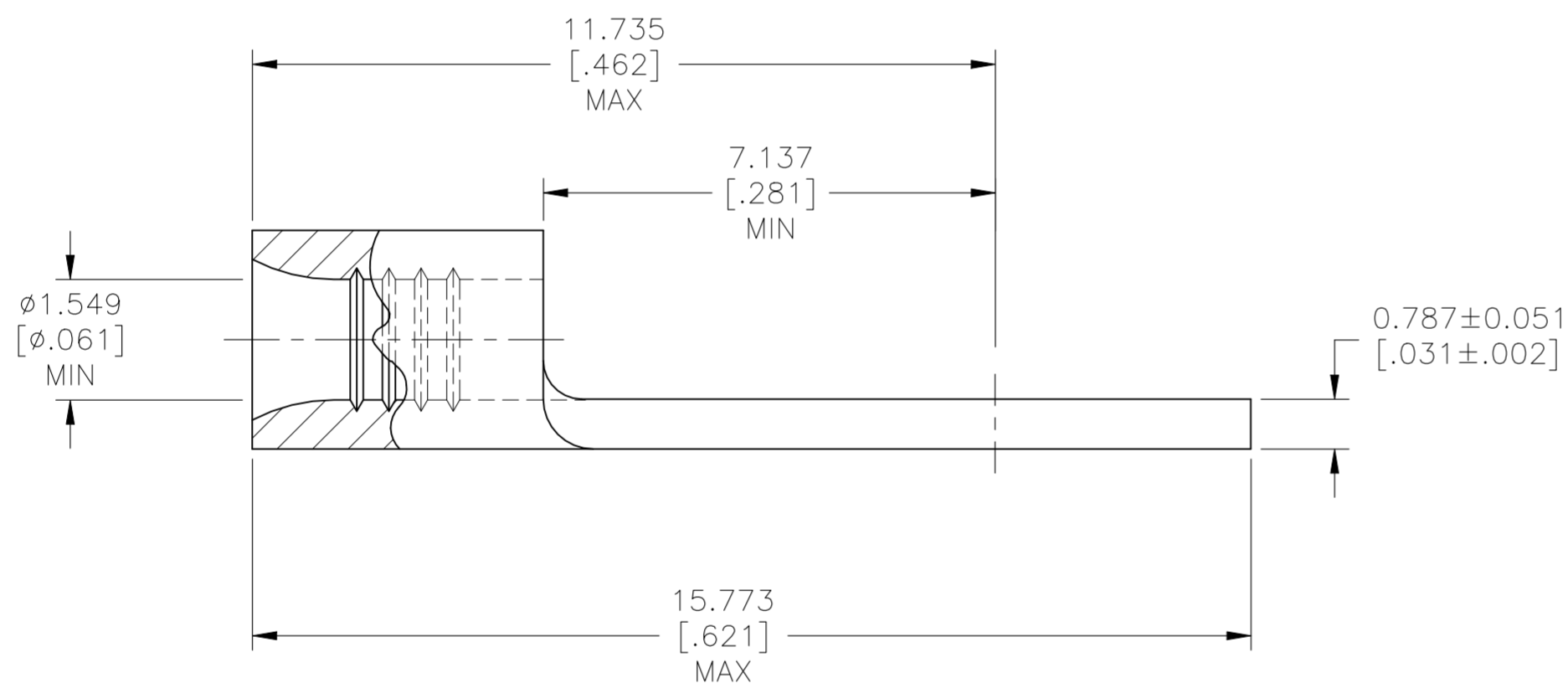
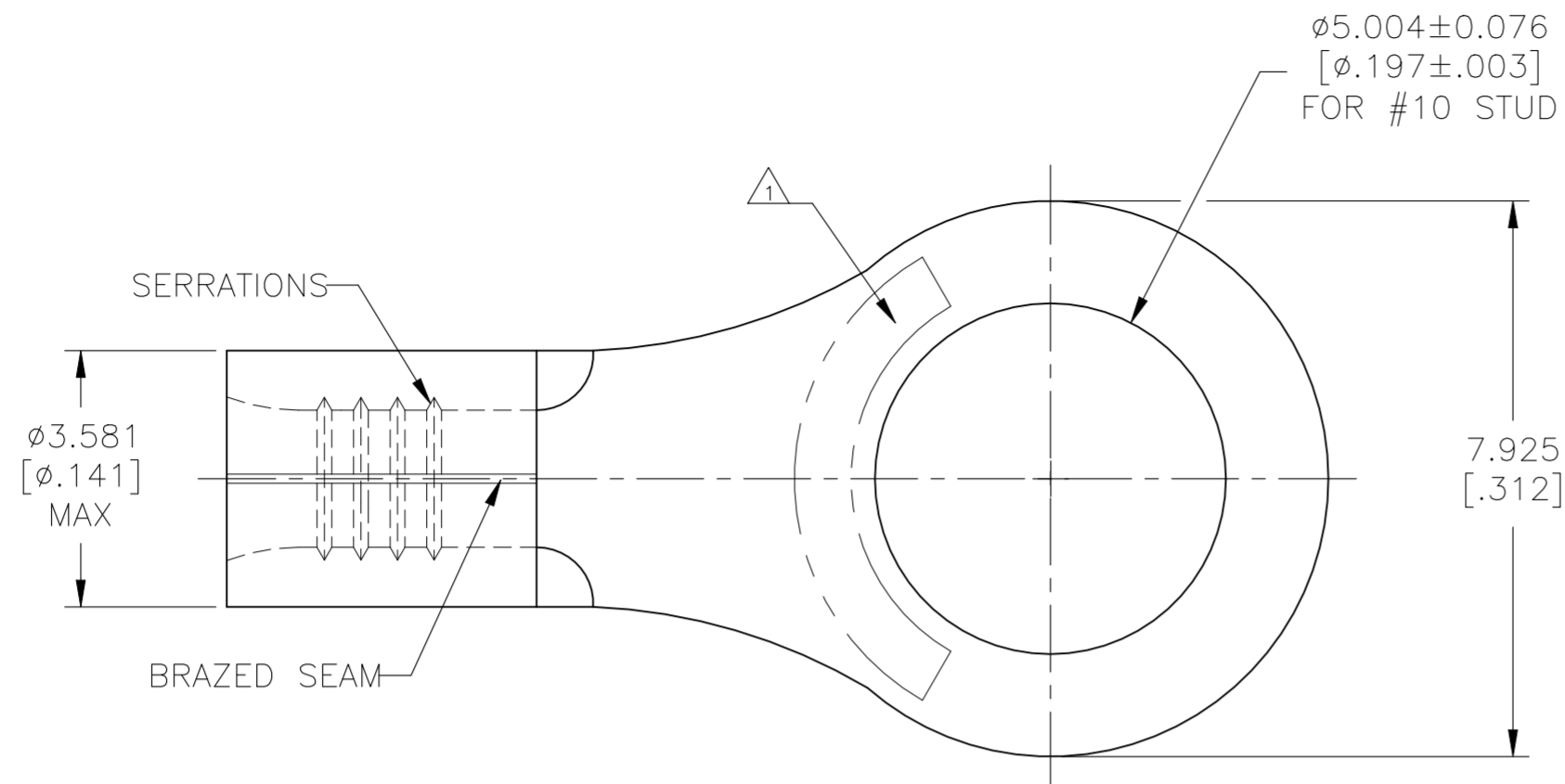


REVISIONS					
P	LTR	DESCRIPTION	DATE	DWN	APVD
E2		REV PER ECN-22-150900	28APR2022	RK	CSD



AMP WIRE RANGE	E13288 Listed
22-16 AWG SOLID OR STRANDED	22-16 AWG SOLID OR STRANDED
LR7189 Certified	
22-16 AWG SOLID OR STRANDED	

- △1 STAMP AMP 22-18* APPROX AS SHOWN
22-16 TERMINALS ARE STAMPED 22-18 IN
ACCORDANCE WITH MILITARY SPECIFICATION
SAE AS7928 COMMERCIAL WIRE RANGE IS 22-16
- 2 NOTE DELETED
- △3 0.00254[.000100] MIN TIN PER ASTM B-545
- △4 CLEANED, UNPLATED
- △5 UL486 A-B

AMP INCORPORATED CUSTOMER SERVICE SYSTEMS

FOR ADDITIONAL
PRODUCT INFORMATION OR
COPIES OF DRAWINGS
AND TECHNICAL DOCUMENTS

PRODUCT INFORMATION CENTER
1-800-522-6752

MAX RECOMMENDED OPERATING
TEMPERATURE:
170°C [338°F] MAX

FOR APPLICATION
TOOLING INFORMATION

TOOLING ASSISTANCE CENTER
1-800-722-1111

VOLTAGE RATING:
NOT APPLICABLE

FOR ORDER ENTRY

1-800-526-5142

WIRE CROSS SECTIONAL AREA RANGE,
0.26-1.65mm² [509-3,260] CIR MILS
SOLID OR STRANDED

△4	1000	LOOSE PIECE	34112-3
△3	100	LOOSE PIECE, BOX	8-34112-1
△3	5000	ON TAPE	2-34112-2
△3	1000	LOOSE PIECE	34112
FINISH	QTY.	PACKAGE TYPE	PART NO.

THIS DRAWING IS A CONTROLLED DOCUMENT.		DWN TA BRINKMAN 3-10-93	TE Connectivity	
		CHK DA PATTERSON 3-10-93		
DIMENSIONS: mm [INCHES]		APVD JL MECKLEY 3-10-93	NAME	
TOLERANCES UNLESS OTHERWISE SPECIFIED:		PRODUCT SPEC	TERMINAL, RING TONGUE, SOLISTRAND, TM 22-16 AWG	
0 PLC ± -		APPLICATION SPEC	SIZE	RESTRICTED TO
1 PLC ± -			CAGE CODE	
2 PLC ± -			DRAWING NO	
3 PLC ± 0.127[.005]			SCALE	
4 PLC ± -			10:1	
ANGLES ± -			SHEET	
MATERIAL COPPER PER ASTM B-152 ANNEALED		FINISH SEE NOTES	WEIGHT	1 OF 1
			A2 00779	
			C=34112	
			CUSTOMER DRAWING	REV E2