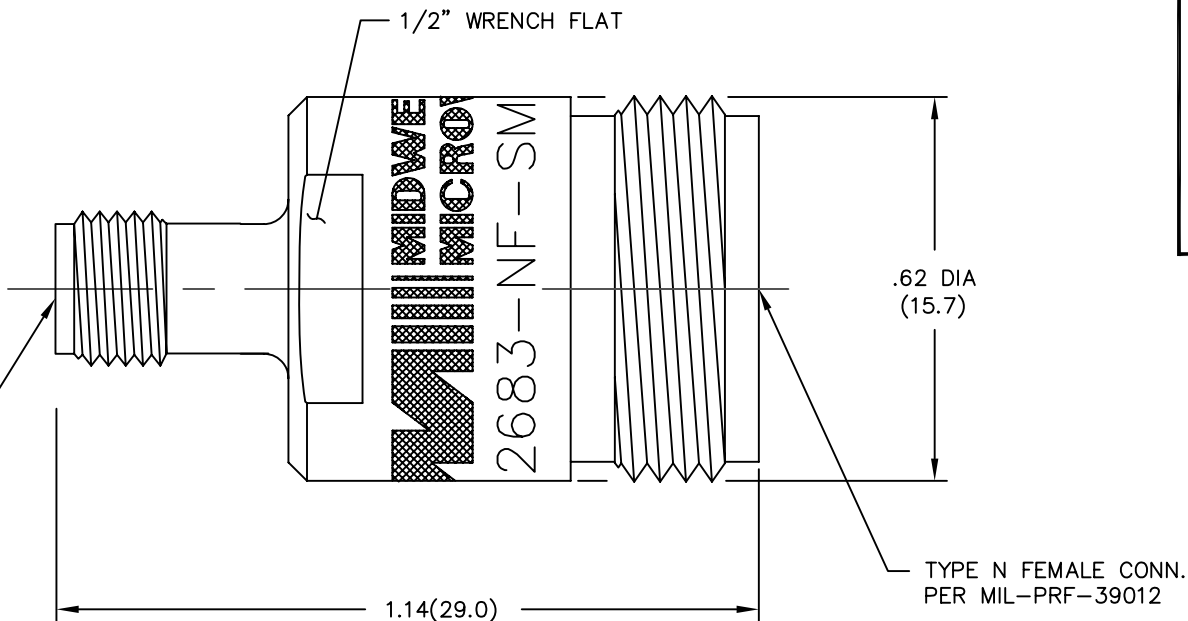


MODEL NUMBER  
ADT-2683-NF-SMF-02

NOTES:

- 1.0 MATERIALS:
  - 1.1 HOUSING: STAINLESS STEEL PER ASTM-A582, TYPE 303.
  - 1.2 CENTER CONTACT: BERYLLIUM COPPER ROD ALLOY C172, PER ASTM-B196.
  - 1.3 DIELECTRIC: PTFE FLUOROCARBON PER ASTM-D1457.
- 2.0 PLATING:
  - 2.1 HOUSING: PASSIVATED PER MIL-F-14072 AND QQ-P-35
  - 2.2 CENTER CONTACT: GOLD PER MIL-G-45204, TYPE II, CLASS 2.
- 3.0 ELECTRICAL SPECIFICATIONS:
  - 3.1 FREQUENCY RANGE: DC to 18.0 GHz
  - 3.2 VSWR: 1.25:1 MAX.
  - 3.3 IMPEDANCE: 50 OHMS
- 4.0 DIMENSIONS IN PARENTHESIS ARE IN MILLIMETERS.
- 5.0 MARKING: MARK UNIT AS SHOWN (REF.: INK-04390-27-04)

SMA FEMALE CONN.  
PER MIL-PRF-39012



DWG NO. WAS: 04051-01-00

REV.	DESCRIPTION	DATE
-	RELEASED	6/17/82
A	ECR 1738	10/12/82
B	ECR 6545	7/10/89
B1	UPDATE MOD. NO	8/4/92
C	REDRAW ON CAD	4/28/93
C1	ADDED TITLEBLOCK	3/15/05

NOTICE: The information contained in this drawing is proprietary and must not be used without the permission of Emerson Network Power.  UNLESS OTHERWISE NOTED DIMENSIONS ARE IN INCHES AND TOLERANCES ARE: 3 PLACE DECIMALS ±.005 2 PLACE DECIMALS ±.02 FRACTIONS ±1/64 PARALLELITY: T.I.R. _____ FLATNESS: T.I.R. _____ CONCENTRICITY: T.I.R. _____ ANGLES AND PERPENDICULARITY: ±1°	CAGE CODE <b>34078</b>	<b>MIDWEST MICROWAVE</b>		
			TITLE ADAPTER TYPE N JACK TO SMA JACK OUTLINE DRAWING	
	DRAWN/DATE A.BEATTY 4/29/93	ENG./DATE A.OSGA 5/11/93	DRAWING NUMBER ADT-2683-NF-SMF-02-01	REV. C1
	CHECKED/DATE M.HOLLMAN 5/7/93	APPROVED/DATE	SCALE: 5=1	SHEET 1 of 1