

78453-***0*

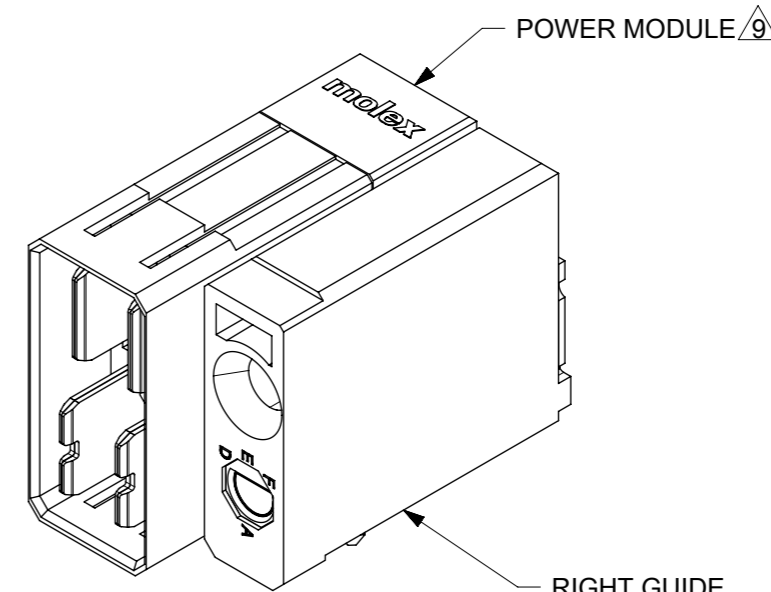
PLATING OPTION	GUIDE LOCATION & ESD OPTION	*
TIN	RIGHT GUIDE WITH ESD	2
	RIGHT GUIDE WITHOUT ESD	4

*	POLARIZATION KEY ORIENTATION
0	NO KEY
1	A
2	B
3	C
4	D
5	E
6	F
7	G
8	H

POWER MODULE 1		
*	BLADE LENGTH	
	P1	P2
1	6.90	6.90
2	5.70	5.70
5	6.90	5.70
7	5.70	6.90

NOTES:

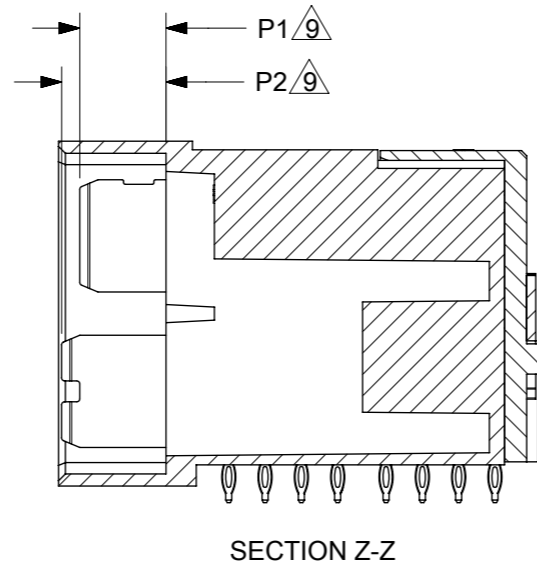
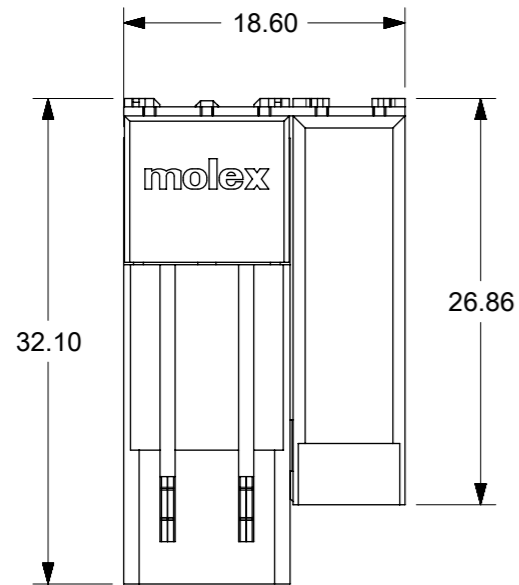
- MATERIALS:
HOUSING - HIGH TEMP. THERMOPLASTIC, GLASS FILLED, UL94-V0,COLOR:BLACK.
POWER PIN - COPPER ALLOY.
- FINISH:
POWER CONTACTS
0.76µm MINIMUM GOLD AT CONTACT AREA AND
2.54µm MINIMUM TIN AT SOLDER TAIL AREA
OVER 1.27µm MINIMUM NICKEL UNDERPLATE.
- PRODUCT SPECIFICATION: PS-78213-001.
 - 4. COMPONENT STAY AWAY ZONE FROM CONNECTOR.
 - 5. REFER TO MOLEX PRODUCT SPECIFICATION PS-78213-001 FOR PLATED THROUGH-HOLE SPECIFICATIONS.
- MATES WITH 78216-****.
- PART NUMBER AND YEAR-DAY CODE. CAN BE AT THE OPPOSITE SIDE.
- CONNECTORS ARE PACKED IN A TRAY.
- REFER TO SD-78215-002 FOR DETAILS OF THE POWER MODULE .
- ALL PARTS ARE SHIPPED WITH A 2-32 TYPE AB SELF-TAPPING SCREW PART NUMBER 73726-0000.
- PACKAGING SPECIFICATION:
PK-78453-001 (1X MODULE WITH GUIDE MODULE)
- FOR THE ESD GROUNDED GUIDE VERSION, USE DIA 2.45±0.10 (PTH), DIA 2.58 (DRILL), AND DIA 4.50 (PAD).
- WHEN USING MOLEX SUPPLIED SCREW 73726-0000, THE MAXIMUM BOARD THICKNESS IS 4.4mm.



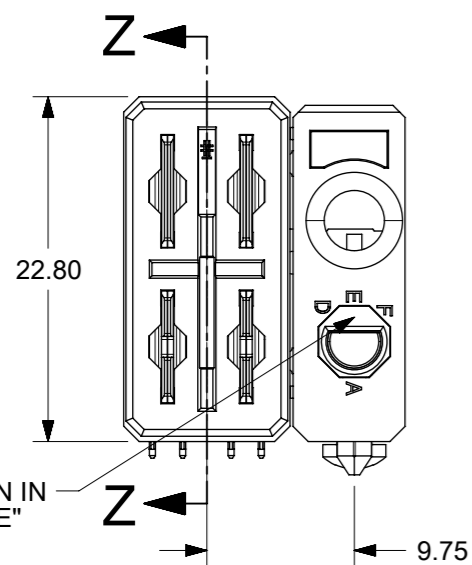
HEADER WITH RIGHT GUIDE (FIG. 1)

THIS DRAWING CONTAINS INFORMATION THAT IS PROPRIETARY TO MOLEX ELECTRONIC TECHNOLOGIES, LLC AND SHOULD NOT BE USED WITHOUT WRITTEN PERMISSION		CURRENT REV DESC: MIGRATED TO NX			
DIMENSION UNITS	SCALE				
MM	NTS			PRODUCT CUSTOMER DRAWING	
GENERAL TOLERANCES (UNLESS SPECIFIED)		EC NO: 612055		DOCUMENT NUMBER	
ANGULAR TOL ± 3.0 °		DRWN: CCV 2019/01/18		SD-78453-001	
4 PLACES ±		CHK'D: ABN 2019/02/14		DOC TYPE	
3 PLACES ±		APPR: CWANG25 2019/03/05		PSD	
2 PLACES ± 0.25		INITIAL REVISION:		DOC PART	
1 PLACE ±		DRWN: CTCHO 2012/03/02		001	
0 PLACES ±		APPR: SHONG 2012/03/22		REVISION	
DRAFT WHERE APPLICABLE MUST REMAIN WITHIN DIMENSIONS		THIRD ANGLE PROJECTION	DRAWING	SERIES	MATERIAL NUMBER
			A3-SIZE	78453	SEE TABLE
				CUSTOMER	SHEET NUMBER
				GENERAL MARKET	1 OF 3

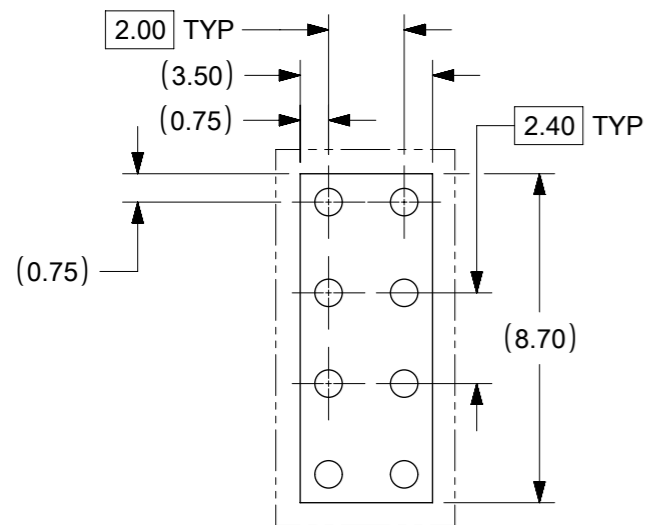
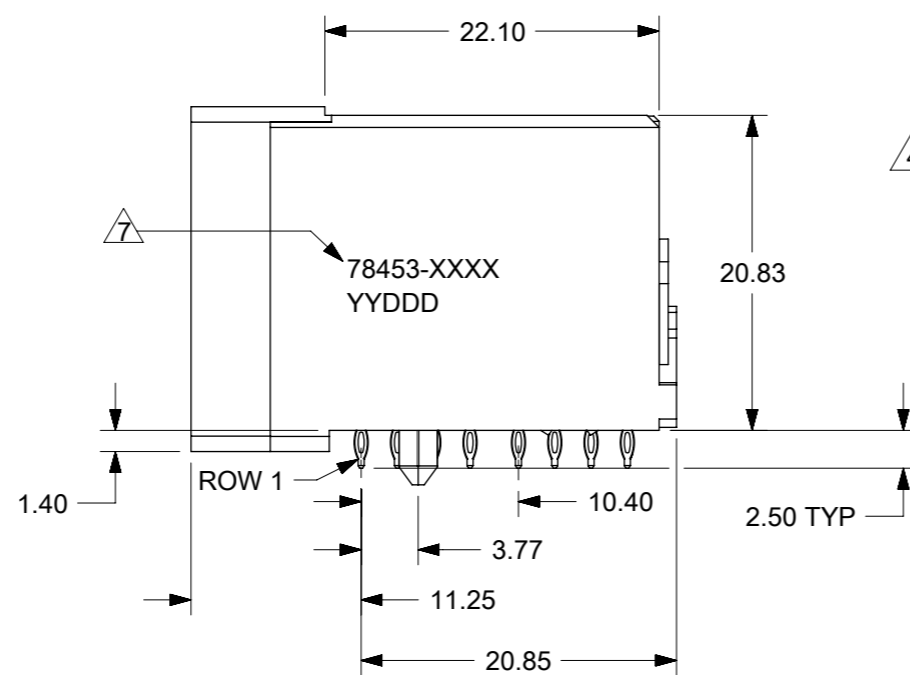
POWER MODULE WITH RIGHT GUIDE MODULE



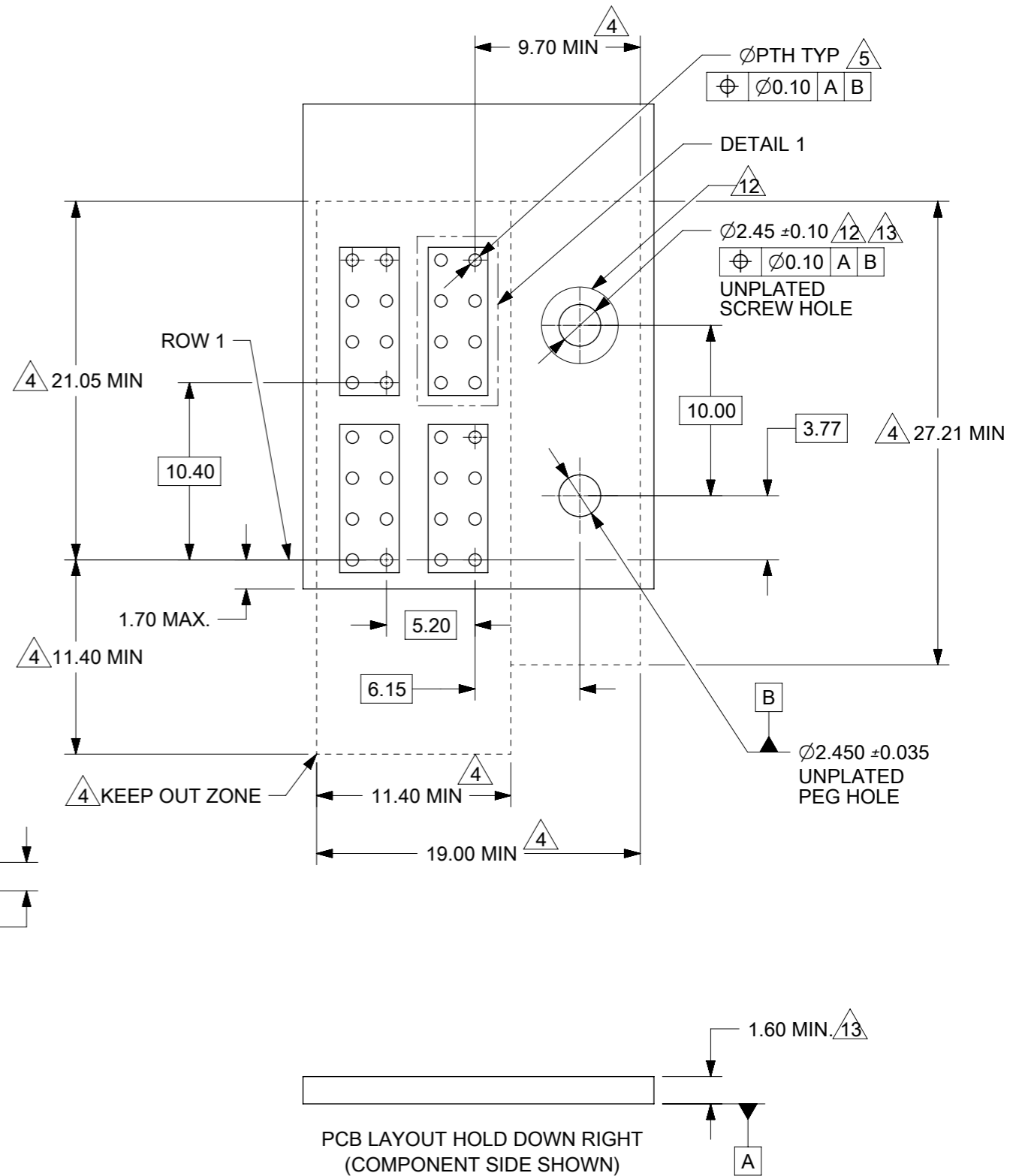
SECTION Z-Z



KEY SHOWN IN POSITION "E"

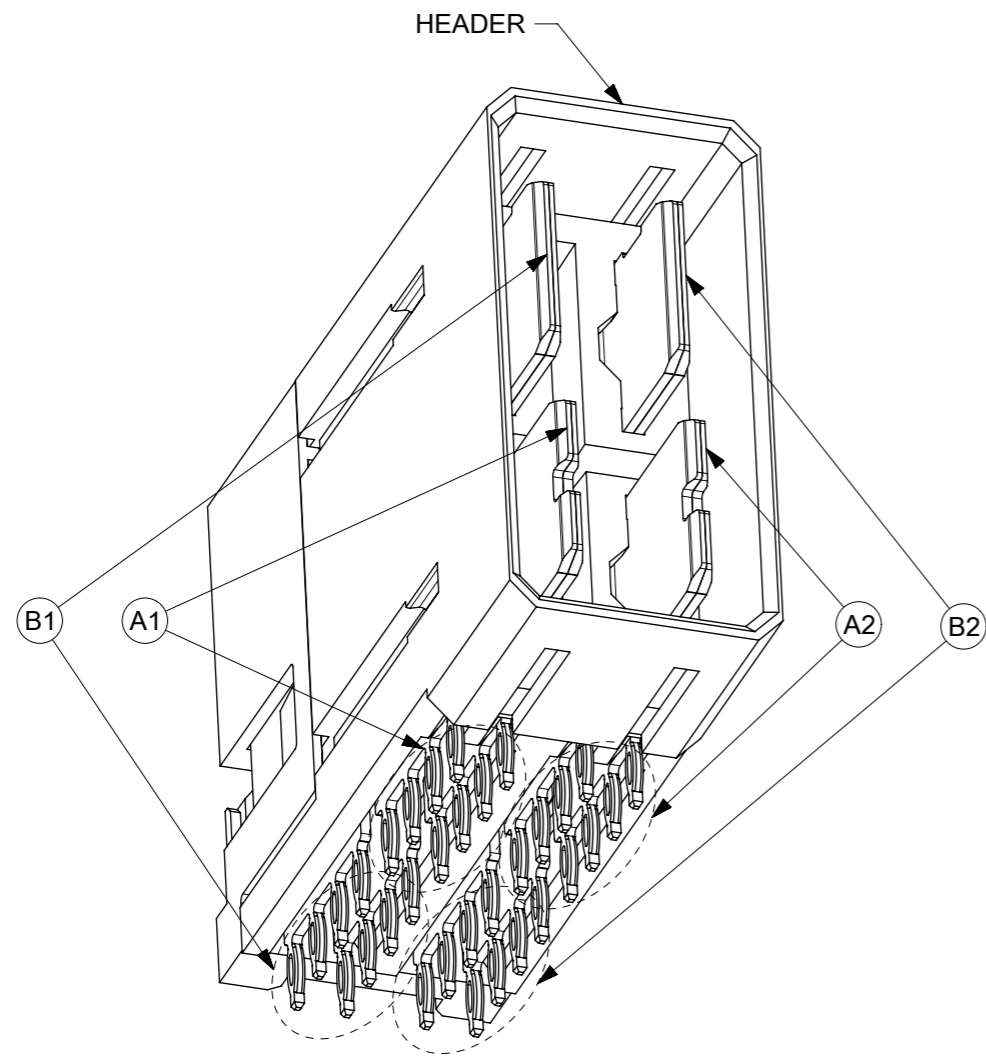


COPPER PAD REFERENCE DETAIL 1

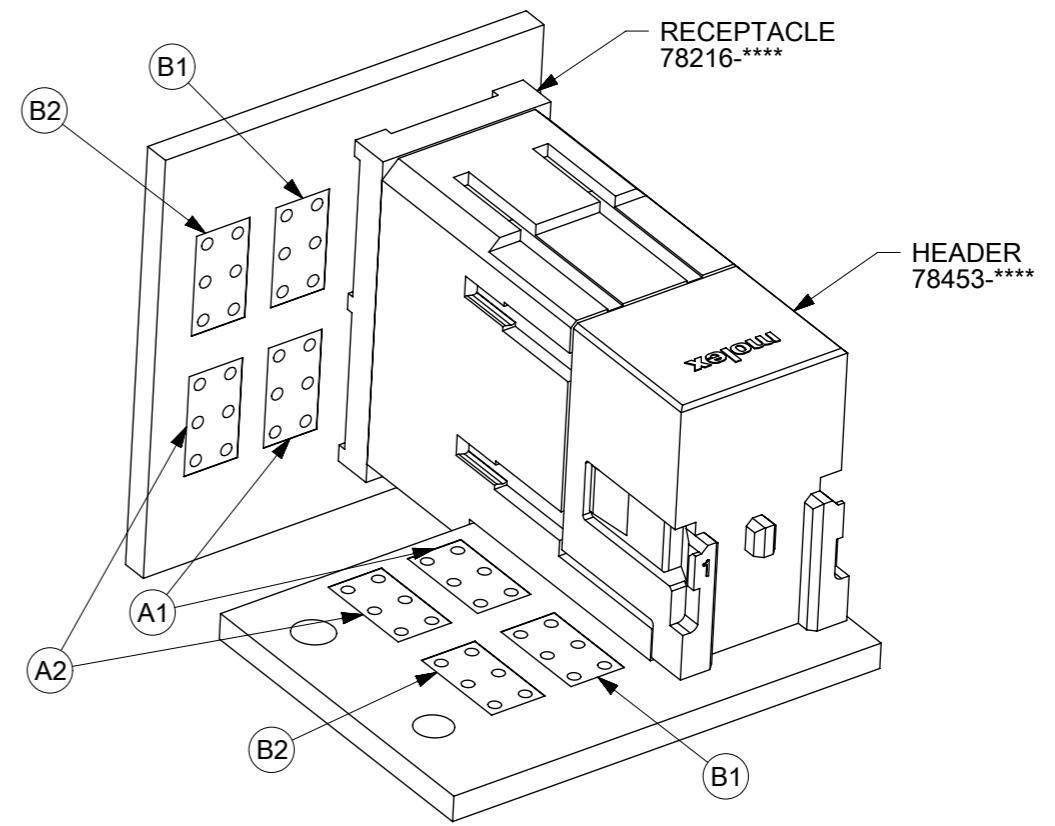


PCB LAYOUT HOLD DOWN RIGHT (COMPONENT SIDE SHOWN)

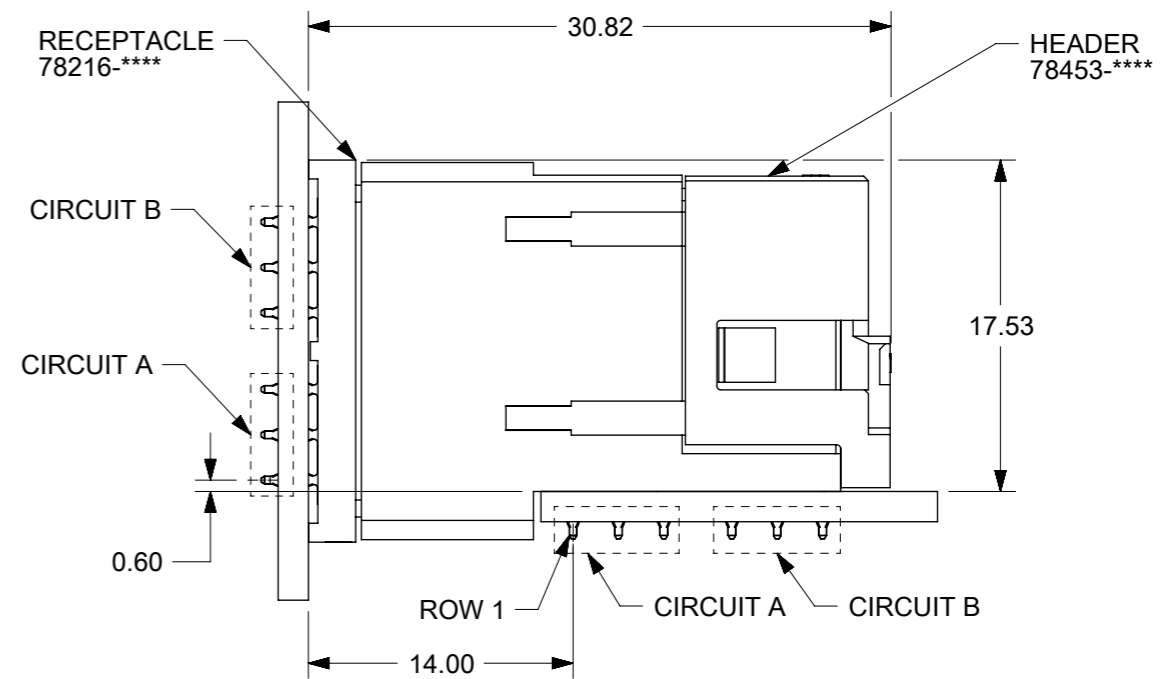
THIS DRAWING CONTAINS INFORMATION THAT IS PROPRIETARY TO MOLEX ELECTRONIC TECHNOLOGIES, LLC AND SHOULD NOT BE USED WITHOUT WRITTEN PERMISSION									
DIMENSION UNITS		SCALE		CURRENT REV DESC: MIGRATED TO NX					
MM		NTS		<p>IMPACT POWER 5P HDR W/GUIDE MODULE R/P/F ASSEMBLY SALES DRAWING</p> <p>PRODUCT CUSTOMER DRAWING</p>					
GENERAL TOLERANCES (UNLESS SPECIFIED)									
ANGULAR TOL ± 3.0°									
4 PLACES ±									
3 PLACES ±									
2 PLACES ± 0.25									
1 PLACE ±				EC NO: 612055		2019/01/18		<p>DOCUMENT NUMBER</p> <p>SD-78453-001</p>	
0 PLACES ±				DRWN: CCV		2019/02/14			
				CHK'D: ABN		2019/03/05			
INITIAL REVISION:				APPR: CWANG25		2019/03/05		DOC TYPE DOC PART REVISION	
DRAFT WHERE APPLICABLE MUST REMAIN WITHIN DIMENSIONS				DRWN: CTCHO		2012/03/02		PSD 001 A3	
THIRD ANGLE PROJECTION				APPR: SHONG		2012/03/22		SHEET NUMBER	
DRAWING		SERIES		MATERIAL NUMBER		CUSTOMER		2 OF 3	
A3-SIZE		78453		SEE TABLE		GENERAL MARKET			



PIN NUMBER ASSIGNMENT BASED ON HEADER SIDE:
 A1, B1 ON THE LEFT,
 A2, B2 ON THE RIGHT.



RIGHT HOLD DOWN:
 1 POWER MODULE AND HOLD DOWN REMOVED TO
 ILLUSTRATE CIRCUIT PATH OF MATED SYSTEM



MATED SYSTEM FOR 78349 & 78214

THIS DRAWING CONTAINS INFORMATION THAT IS PROPRIETARY TO MOLEX ELECTRONIC TECHNOLOGIES, LLC AND SHOULD NOT BE USED WITHOUT WRITTEN PERMISSION		CURRENT REV DESC: MIGRATED TO NX			
DIMENSION UNITS	SCALE				
MM	NTS			IMPACT POWER 5P HDR W/GUIDE MODULE R P/F ASSEMBLY SALES DRAWING	
GENERAL TOLERANCES (UNLESS SPECIFIED)				PRODUCT CUSTOMER DRAWING	
ANGULAR TOL	± 3.0 °	EC NO:	612055	DOCUMENT NUMBER	
4 PLACES	±	DRWN:	CCV 2019/01/18	SD-78453-001	
3 PLACES	±	CHK'D:	ABN 2019/02/14	DOC TYPE	DOC PART
2 PLACES	± 0.25	APPR:	CWANG25 2019/03/05	PSD	001
1 PLACE	±	INITIAL REVISION:		REVISION	
0 PLACES	±	DRWN:	CTCHO 2012/03/02	A3	
DRAFT WHERE APPLICABLE MUST REMAIN WITHIN DIMENSIONS		THIRD ANGLE PROJECTION	DRAWING	SERIES	MATERIAL NUMBER
			A3-SIZE	78453	SEE TABLE
		CUSTOMER	GENERAL MARKET		
		SHEET NUMBER			
		3 OF 3			