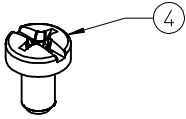
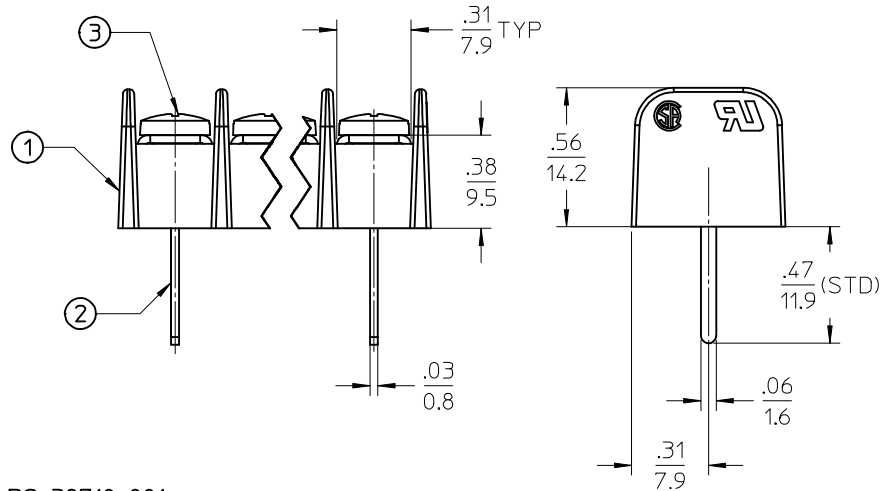
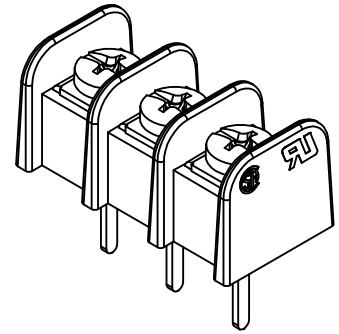
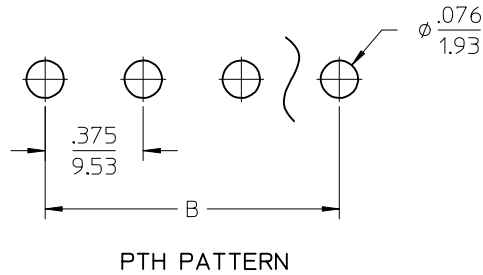
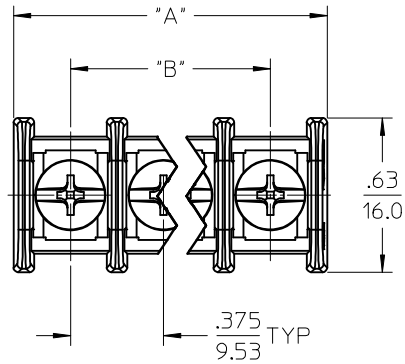
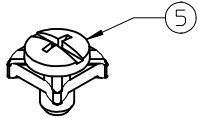


10 9 8 7 6 5 4 3 2 1

REF. -49 OPT. SCREW
(WHERE APPLICABLE)



REF. -50 OPT. SCREW
(WHERE APPLICABLE)



PART NUMBER LEGEND

71-7-XX-XX-X

SERIES

TERMINAL STYLE

CIRCUIT QTY (2 TO 26)

OPTION (-49 BRASS,PHIL/SLOT SCREW)

(-50 CLAMP WASHER,PHIL/SLOT SCREW)

(-C NO MOUNTING ENDS)

TERMINAL LENGTH

-55=.54

-75=.75

-81=.81

NOTES.

1. MATERIAL: SEE TABLE
2. FINISHES: SEE TABLE
3. PRODUCT SPECIFICATION: PS-38710-001
4. 'XX' REFERS TO NUMBER OF CIRCUITS.
5. ASSEMBLY IS RoHS COMPLIANT.

ITEM	QTY	DESCRIPTION	MATERIAL	FINISH
5	XX	#6-32 PH/SLOTTED SCREW W/WSHR (OPTION -50)	STEEL	ZINC
4	XX	#6-32 PH/SLOTTED SCREW (OPTION -49)	BRASS	NICKEL
3	XX	#6-32 PH/SLOTTED SCREW (STANDARD)	STEEL	ZINC
2	XX	TERMINAL, WW SN-KT	BRASS	TIN
1	1	INSULATOR	POLYESTER (PBT)	BLACK

RELEASED	EC NO: IPG2016-0008	QUALITY SYMBOLS
	DRWN: SVMURTHY 2015/06/30	GENERAL TOLERANCES (UNLESS SPECIFIED)
	CHKD: RSTONE 2015/06/30	mm INCH
	APPR: JFMURPHY 2016/07/11	4 PLACES ± --- ± ---

DESCRIPTION	QUALITY SYMBOLS	GENERAL TOLERANCES (UNLESS SPECIFIED)
	▽/0	mm INCH
	▽/0	4 PLACES ± --- ± ---
	▽/0	3 PLACES ± --- ± .005
		2 PLACES ± 0.13 ± .01
		1 PLACE ± 0.3 ± ---
		0 PLACE ± --- ± ---
		ANGULAR ± 2 °
		DRAFT WHERE APPLICABLE MUST REMAIN WITHIN DIMENSIONS

DIMENSION STYLE		SCALE	DESIGN UNITS	THIRD ANGLE PROJECTION
INCH ONLY		2:1	INCH	☉
DRAWN BY	DATE	TITLE		
SVMURTHY	2015/06/30	9.53MM [.375"] SR BTS WIRE WRAP NO MTG		
CHECKED BY	DATE			
RSTONE	2015/06/30			
APPROVED BY	DATE	DOCUMENT NO.		
JFMURPHY	2016/07/11	SD-38710-0306		
MATERIAL NO.		SHEET NO.		
SEE SHEET 2		1 OF 2		

THIS DRAWING CONTAINS INFORMATION THAT IS PROPRIETARY TO MOLEX INCORPORATED AND SHOULD NOT BE USED WITHOUT WRITTEN PERMISSION

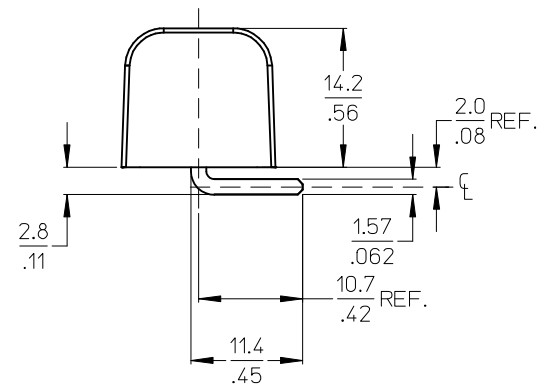
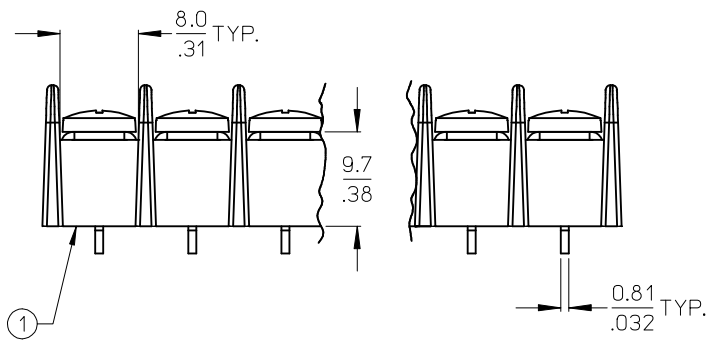
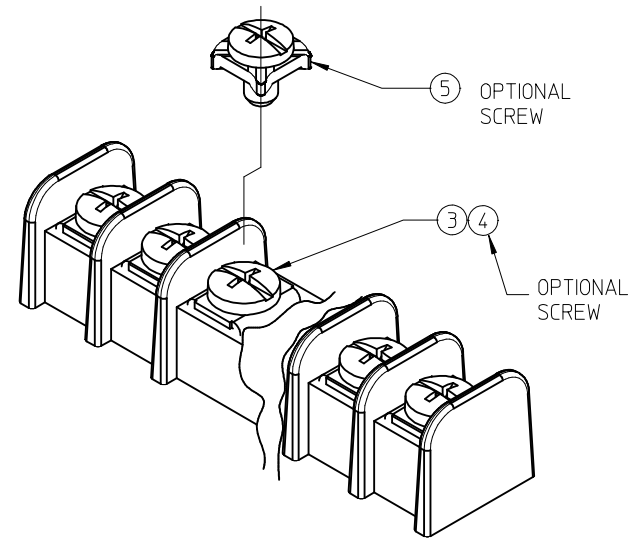
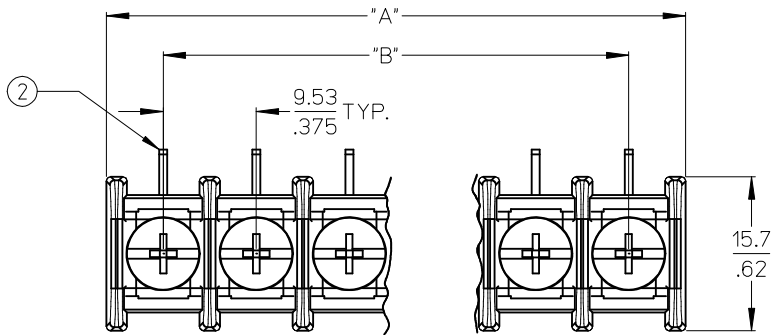
9 8 7 6 5 4 3 2 1

10 9 8 7 6 5 4 3 2 1

# OF CIRCUITS "XX"	DIM. "A"		DIM. "B"	
	in	mm	in	mm
02	.83	21	.375	9.53
03	1.21	31	.750	19.05
04	1.58	40	1.125	28.58
05	1.96	50	1.500	38.10
06	2.33	59	1.875	47.63
07	2.71	69	2.250	57.15
08	3.08	78	2.625	66.68
09	3.46	88	3.000	76.20
10	3.83	97	3.375	85.73
11	4.21	107	3.750	95.25
12	4.58	116	4.125	104.78
13	4.96	126	4.500	114.30
14	5.33	135	4.875	123.83
15	5.71	145	5.250	133.35
16	6.08	154	5.625	142.88
17	6.46	164	6.000	152.40
18	6.83	173	6.375	161.93
19	7.21	183	6.750	171.45
20	7.58	193	7.125	180.98
21	7.96	202	7.500	190.50
22	8.33	212	7.875	200.03
23	8.71	221	8.250	209.55
24	9.08	231	8.625	219.08
25	9.46	240	9.000	228.60
26	9.83	250	9.375	238.13

RELEASED EC NO: IPG2016-0008 DRAWN: SVMURTHY 2015/06/30 CHKD: RSTONE 2015/06/30 APPR: JFMURPHY 2016/07/11	DESCRIPTION REV A	QUALITY SYMBOLS	GENERAL TOLERANCES (UNLESS SPECIFIED)	DIMENSION STYLE INCH ONLY	SCALE 2:1	DESIGN UNITS INCH	THIRD ANGLE PROJECTION
		$\nabla F/0$ $\nabla F/0$ $\nabla F/0$	mm INCH 4 PLACES ± --- ± --- 3 PLACES ± --- ± .005 2 PLACES ± 0.13 ± .01 1 PLACE ± 0.3 ± --- 0 PLACE ± --- ± ---	DRAWN BY DATE SVMURTHY 2015/06/30 CHECKED BY DATE RSTONE 2015/06/30 APPROVED BY DATE JFMURPHY 2016/07/11	TITLE	9.53MM [.375"] SR BTS WIRE WRAP NO MTG	
		ANGULAR ± 2 °	MATERIAL NO. 387100306	DOCUMENT NO. SD-38710-0306	SHEET NO. 2 OF 2		
		DRAFT WHERE APPLICABLE MUST REMAIN WITHIN DIMENSIONS	SIZE B	THIS DRAWING CONTAINS INFORMATION THAT IS PROPRIETARY TO MOLEX INCORPORATED AND SHOULD NOT BE USED WITHOUT WRITTEN PERMISSION			

9 8 7 6 5 4 3 2 1



NOTES:

1. MATERIAL: SEE TABLE.
2. FINISHES: SEE TABLE.
3. PRODUCT SPECIFICATION: NOT REQUIRED.
4. "XX" REFERS TO NUMBER OF CIRCUITS.
5. ROHS COMPLIANT.

5	XX	#6-32 PH/SLOTTED SCREW W/WSHR (OPTION -50)	STEEL	ZN, CLEAR CHROMATE
4	XX	#6-32 PH/SLOTTED SCREW (OPTION -49)	BRASS	NICKEL PLATE
3	XX	#6-32 PH/SLOTTED SCREW (STANDARD)	STEEL	ZN, CLEAR CHROMATE
2	XX	TERMINAL, WW SN-KT	BRASS	TIN PLATE
1	1	INSULATOR	POLYESTER (PBT)	BLACK
ITEM	QTY	DESCRIPTION	MATERIAL	FINISH

RELEASED
 EC NO: WINA2009-0832
 2009/07/13
 DRWN: ENC JMS
 2009/07/17
 CHKD: CYORK
 2009/07/17
 APPR: JMACNE IL
 2009/07/17

QUALITY SYMBOLS
 ▼=0
 ▽=0

GENERAL TOLERANCES (UNLESS SPECIFIED)

	mm	INCH
4 PLACES	± ---	± ---
3 PLACES	± ---	± .005
2 PLACES	± 0.13	± .01
1 PLACE	± 0.3	± ---

ANGULAR ± 2 °

DRAFT WHERE APPLICABLE
 MUST REMAIN
 WITHIN DIMENSIONS

DIMENSION STYLE
MM/IN

DRAWN BY
 EHILE

DATE
 2006/05/15

CHECKED BY
 RDEROSS

DATE
 2006/05/15

APPROVED BY
 RDEROSS

DATE
 2006/05/15

MATERIAL NO.

SEE CHART

SCALE
2:1

DESIGN UNITS
 INCH

THIRD ANGLE PROJECTION

9.53MM [.375] SR BTS
 RA ASSY, NO MTG

MOLEX INCORPORATED

DOCUMENT NO.
SD-38711-005

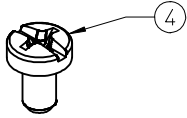
SHEET NO.
 1 OF 2

THIS DRAWING CONTAINS INFORMATION THAT IS PROPRIETARY TO MOLEX INCORPORATED AND SHOULD NOT BE USED WITHOUT WRITTEN PERMISSION

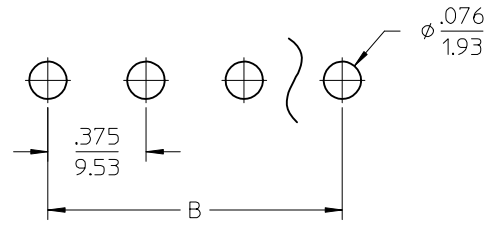
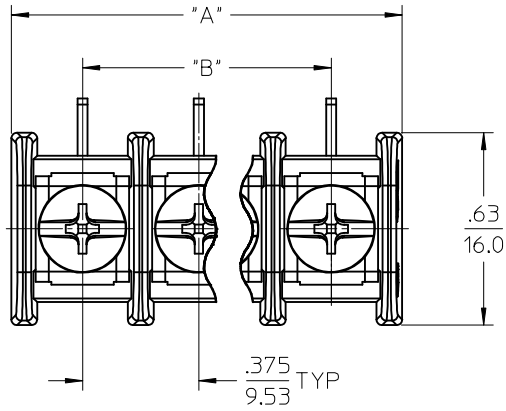
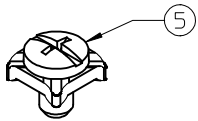
NUMBER OF CIRCUITS "XX"	DIM. "A"	DIM. "B"	MATERIAL NO. (OPTION -C)	MATERIAL NO. (OPTION -C-49)	MATERIAL NO. (OPTION -C-50)	MATERIAL NO. (INSULATOR)
02	21.1 [8.3]	9.53 [.375]	387115302	387115602	387115902	387180035
03	30.7 [1.21]	19.05 [.750]	387115303	387115603	387115903	387180036
04	40.1 [1.58]	28.58 [1.125]	387115304	387115604	387115904	387180037
05	49.8 [1.96]	38.10 [1.500]	387115305	387115605	387115905	387180038
06	59.2 [2.33]	47.63 [1.875]	387115306	387115606	387115906	387180039
07	68.8 [2.71]	57.15 [2.250]	387115307	387115607	387115907	387180040
08	78.3 [3.08]	66.68 [2.625]	387115308	387115608	387115908	387180041
09	87.8 [3.46]	76.20 [3.000]	387115309	387115609	387115909	387180042
10	97.3 [3.83]	85.73 [3.375]	387115310	387115610	387115910	387180043
11	106.9 [4.21]	95.25 [3.750]	387115311	387115611	387115911	387180044
12	116.3 [4.58]	104.78 [4.125]	387115312	387115612	387115912	387180045
13	126.0 [4.96]	114.30 [4.500]	387115313	387115613	387115913	387180046
14	135.3 [5.33]	123.83 [4.875]	387115314	387115614	387115914	387180047
15	145.0 [5.71]	133.35 [5.250]	387115315	387115615	387115915	387180048
16	154.4 [6.08]	142.88 [5.625]	387115316	387115616	387115916	387180049
17	164.1 [6.46]	152.40 [6.000]	387115317	387115617	387115917	387180050
18	173.5 [6.83]	161.93 [6.375]	387115318	387115618	387115918	387180051
19	183.1 [7.21]	171.45 [6.750]	387115319	387115619	387115919	387180052
20	192.5 [7.58]	180.98 [7.125]	387115320	387115620	387115920	387180053
21	202.2 [7.96]	190.50 [7.500]	387115321	387115621	387115921	387180054
22	211.6 [8.33]	200.03 [7.875]	387115322	387115622	387115922	387180055
23	221.2 [8.71]	209.55 [8.250]	387115323	387115623	387115923	387180056
24	230.6 [9.08]	219.08 [8.625]	387115324	387115624	387115924	387180057
25	240.3 [9.46]	228.60 [9.000]	387115325	387115625	387115925	387180058
26	249.6 [9.83]	238.13 [9.375]	387115326	387115626	387115926	387180059

SEE SHEET ONE EC NO: WNA2009-0832 DRAWN: ENC JMS 2009/07/13 CHKD: C YORK 2009/07/17 APPR: JMACNE IL 2009/07/17	DESCRIPTION REV A	QUALITY SYMBOLS ▽=0 ▽/□=0	GENERAL TOLERANCES (UNLESS SPECIFIED) mm INCH 4 PLACES ± --- ± --- 3 PLACES ± --- ± .005 2 PLACES ± 0.13 ± .01 1 PLACE ± 0.3 ± --- ANGULAR ± 2 °	DIMENSION STYLE MM/IN DRAWN BY DATE EHILE 2006/05/15 CHECKED BY DATE RDEROSS 2006/05/15 APPROVED BY DATE RDEROSS 2006/05/15	SCALE 2:1 DESIGN UNITS INCH THIRD ANGLE PROJECTION	TITLE 9.53MM [.375] SR BTS RA ASSY, NO MTG
		DRAFT WHERE APPLICABLE MUST REMAIN WITHIN DIMENSIONS	MATERIAL NO. SEE CHART	DOCUMENT NO. SD-38711-005	SHEET NO. 2 OF 2	
		THIS DRAWING CONTAINS INFORMATION THAT IS PROPRIETARY TO MOLEX INCORPORATED AND SHOULD NOT BE USED WITHOUT WRITTEN PERMISSION				
		MOLEX INCORPORATED				

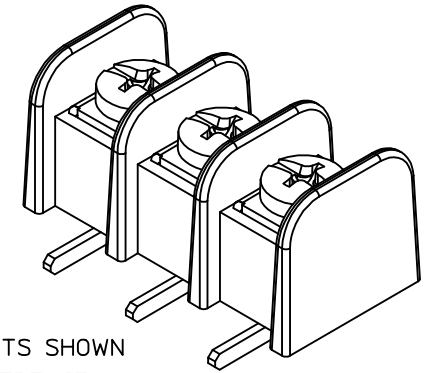
REF. -49 OPT. SCREW
(WHERE APPLICABLE)



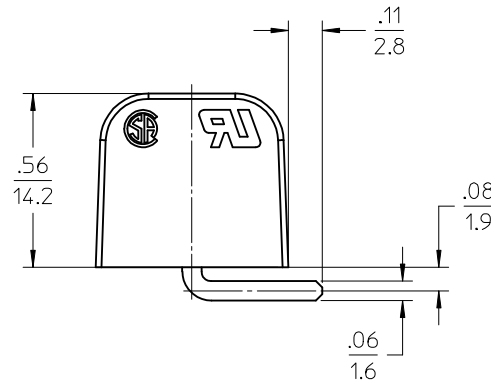
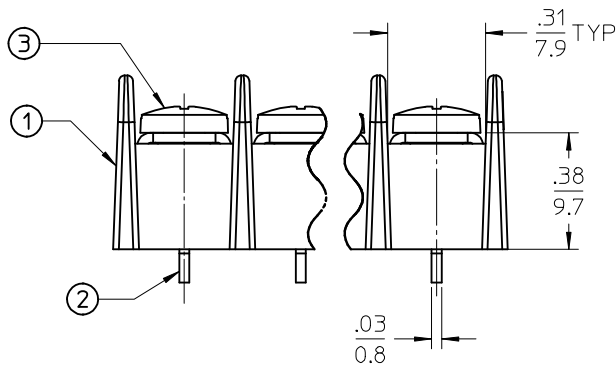
REF. -50 OPT. SCREW
(WHERE APPLICABLE)



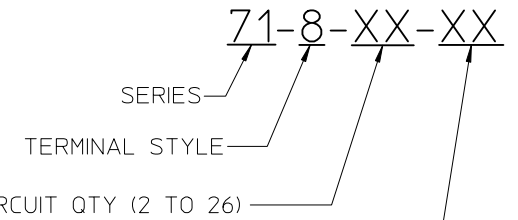
PTH PATTERN



3 CIRCUITS SHOWN
AS REFERENCE



PART NUMBER LEGEND



NOTES:

1. MATERIAL: SEE TABLE.
2. FINISHES: SEE TABLE.
3. PRODUCT SPECIFICATION: PS-38710-001
4. "XX" REFERS TO NUMBER OF CIRCUITS.
5. ASSEMBLY IS RoHS COMPLIANT.

ITEM	QTY	DESCRIPTION	MATERIAL	FINISH
5	XX	#6-32 PH/SLOTTED SCREW W/WSHR (OPTION -50)	STEEL	ZINC
4	XX	#6-32 PH/SLOTTED SCREW (OPTION -49)	BRASS	NICKEL
3	XX	#6-32 PH/SLOTTED SCREW (STANDARD)	STEEL	ZINC
2	XX	TERMINAL, WW SN-KT	BRASS	TIN
1	1	INSULATOR	POLYESTER (PBT)	BLACK

RELEASED
EC NO: IFC2016-0008
DRAWN: SVMURTHY 2015/06/30
CHKD: RSTONE 2015/06/30
APPR: JFMURPHY 2016/07/11
REV A

QUALITY SYMBOLS
▽/0
▽/0
▽/0

GENERAL TOLERANCES (UNLESS SPECIFIED)

	mm	INCH
4 PLACES	± .005	± .0005
3 PLACES	± .01	± .001
2 PLACES	± 0.13	± .01
1 PLACE	± 0.3	± .012
0 PLACE	± .005	± .0005

ANGULAR ± 2°
DRAFT WHERE APPLICABLE
MUST REMAIN WITHIN DIMENSIONS

DIMENSION STYLE
IN/MM

DRAWN BY	DATE
SVMURTHY	2015/06/30
CHECKED BY	DATE
RSTONE	2015/06/30
APPROVED BY	DATE
JFMURPHY	2016/07/11

MATERIAL NO.
SEE SHEET 2

SCALE
2:1

DESIGN UNITS
INCH

THIRD ANGLE PROJECTION

TITLE
9.53MM [.375"] SR BTS
RA ASSY, NO MTG

DOCUMENT NO.
SD-38711-5302

SHEET NO.
1 OF 2

THIS DRAWING CONTAINS INFORMATION THAT IS PROPRIETARY TO MOLEX INCORPORATED AND SHOULD NOT BE USED WITHOUT WRITTEN PERMISSION

10 9 8 7 6 5 4 3 2 1

# OF CIRCUITS "XX"	DIM. "A"		DIM. "B"	
	in	mm	in	mm
02	.83	21.1	.375	9.53
03	1.21	30.7	.750	19.05
04	1.58	40.1	1.125	28.58
05	1.96	49.8	1.500	38.10
06	2.33	59.2	1.875	47.63
07	2.71	68.8	2.250	57.15
08	3.08	78.2	2.625	66.68
09	3.46	87.9	3.000	76.20
10	3.83	97.3	3.375	85.73
11	4.21	107	3.750	95.25
12	4.58	116	4.125	104.78
13	4.96	126	4.500	114.30
14	5.33	135	4.875	123.83
15	5.71	145	5.250	133.35
16	6.08	154	5.625	142.88
17	6.46	164	6.000	152.40
18	6.83	173	6.375	161.93
19	7.21	183	6.750	171.45
20	7.58	193	7.125	180.98
21	7.96	202	7.500	190.50
22	8.33	212	7.875	200.03
23	8.71	221	8.250	209.55
24	9.08	231	8.625	219.08
25	9.46	240	9.000	228.60
26	9.83	250	9.375	238.13

RELEASED EC NO: IFC2016-0008 DRWN: SVMURTHY 2015/06/30 CHKD: RSTONE 2015/06/30 APPR: JFMURPHY 2016/07/11 A	DESCRIPTION REV	QUALITY SYMBOLS	GENERAL TOLERANCES (UNLESS SPECIFIED)	DIMENSION STYLE	SCALE	DESIGN UNITS	THIRD ANGLE PROJECTION
		$\nabla F/0$ $\nabla E/0$ $\nabla D/0$	mm INCH 4 PLACES ± --- ± --- 3 PLACES ± --- ± .005 2 PLACES ± 0.13 ± .01 1 PLACE ± 0.3 ± --- 0 PLACE ± --- ± ---	IN/MM	2:1	INCH	TITLE 9.53MM [.375"] SR BTS RA ASSY, NO MTG
			ANGULAR ± 2 ° DRAFT WHERE APPLICABLE MUST REMAIN WITHIN DIMENSIONS	DRAWN BY DATE SVMURTHY 2015/06/30 CHECKED BY DATE RSTONE 2015/06/30 APPROVED BY DATE JFMURPHY 2016/07/11			
					MATERIAL NO.	DOCUMENT NO.	SHEET NO.
			387112302	SD-38711-5302	2 OF 2		
			SIZE B THIS DRAWING CONTAINS INFORMATION THAT IS PROPRIETARY TO MOLEX INCORPORATED AND SHOULD NOT BE USED WITHOUT WRITTEN PERMISSION				

9 8 7 6 5 4 3 2 1