

PROPRIETARY INFORMATION: PROPRIETARY OF GLOBTEK, INC. ANY REPRODUCTION, DISCLOSURE OR USE OF THIS DRAWING, IN WHOLE OR IN PART, IS HEREBY PROHIBITED EXCEPT AS SPECIFIED IN WRITING BY GLOBTEK, INC.	REVISION			
	REV	DESCRIPTION	DATE	APPROVED
	A	INITIAL RELEASE, RFS.15966, JS	04/06/09	HM
	B	UPDATE SPEC., RFS. 17379, JB	10/29/09	HM
	C	UPDATE MECHANICAL DRW, PIN ASSISMENT, RFS. 19547, JB	09/10/10	HM
	D	UPDATE PACKING, RFS. 20535, JS	03/10/11	HM
	E	CHANGE PACKING TO 18 pcs AND LABEL MODEL REVISION #, RFS. 21784, JS	10/27/11	HM

## FEATURES

- UNIVERSAL INPUT WITH ACTIVE POWER FACTOR CORRECTION
- MEDICAL AND ITE GRADE VERSIONS
- EN55022 CLASS B COMPLIANT
- EN55011 CLASS B COMPLIANT
- EN61000-4-2, -3, -4, -5, -6, -11 COMPLIANT
- BUILT-IN EMI FILTER
- OVERVOLTAGE PROTECTION
- OVERLOAD PROTECTION
- THERMAL OVERLOAD PROTECTION
- COMPACT 4.0" x 8.0" x 2.0" SIZE IN A U-CHANNEL




## 1. ELECTRICAL SPECIFICATIONS:

### INPUT

INPUT RANGE	90-264 VAC
INPUT LINE FREQUENCY	47-63Hz
INPUT CURRENT	< 5A RMS @ 90VAC
INRUSH CURRENT	40A TYPICAL, COLD START @ 25°C, 115VAC INPUT
EFFICIENCY	80% TYPICAL AT FULL LOAD
POWER FACTOR	0.99 TYPICAL
TURN-ON DELAY	2 SECOND TYPICAL @ 115VAC NOMINAL LINE
INPUT LINE PROTECTION	MOV TRANSIENT PROTECTED. INPUT LINE FUSE PROVIDED ON-BOARD
SOFT START	STANDARD ON ALL MODELS

### OUTPUT

OUTPUT VOLTAGE:	12VDC
OUTPUT CURRENT:	29.17A MAXIMUM
MAXIMUM POWER	350 WATTS MAXIMUM
ADJUSTMENT RANGE	± 5% OF RATED OUTPUT VOLTAGE
LOAD REGULATION	± 2% MEASURED AT THE CONNECTOR SIDE
LINE REGULATON	± 0.5% MEASURED AT THE CONNECTOR SIDE
HIGH FREQUENCY RIPPLE	2% OF OUTPUT VOLTAGE, PEAK TO PEAK
TURN ON/OFF OVERSHOOT	5% MAXIMUM, 1mS RECOVERY TIME
HOLD-UP TIME	20 mS @ 350W LOAD, 115VAC NOMINAL LINE
TRANSIENT RESPONSE	1mS RECOVERY TO WITHIN 1% OF THE REGULATION BAND WITH NO MORE THAN 5% OUTPUT VOLTAGE DEVIATION @ 25% LOAD STEP
OVERLOAD PROTECTION	PROTECTED @ 150-200% OF FULL LOAD RATING. UNIT WILL AUTORECOVER UPON REMOVAL OF LOAD
SHORT CIRCUIT	HICCUP, UNIT WILL AUTORECOVER UPON REMOVAL OF SHORT
OVERVOLTAGE	10- 50% ABOVE NOMINAL OUTPUT, LATCHED
INDICATOR	NEED AC CYCLING TO RESTORE OUTPUT GREEN LED FOR OUTPUT PRESENCE

Foot Note: Globtek Inc. will not be liable for the safety and performance of these power supplies if unauthorized access and repair occurs. End user should consult applicable UL, CSA or EN standards for proper installation instructions	DASH NO.	PART NO	REV.	DESCRIPTION	NOTES
	<b>TABULATION BLOCK</b>				
Limitation of Use: Globtek product are not authorized for use as mission critical components in life support, hazardous environment, nuclear or aircraft applications without prior written approval from the CEO of Globtek Inc.	TOLERANCES: DECIMALS    ANGULAR .xx +/- 0.1    +/- 1° .xxx +/- .005		 <b>GlobTek, Inc.</b> 186 Veterans Dr. Northvale, NJ 07647 www.globtek.com    Tel. 201-784-1000    Fax 201.784.0111		
	INIT.BY: JS	DATE: 04/06/09			
Contents of this document are subject to change without prior notice	DRAWN: NF	DATE: 04/06/09	FSCN No.: G, Y	SIZE A	MODEL NO:    GTM9200P35012    REV. E
	APRVD : HM	DATE: 04/06/09	SCALE: NONE		PART NO: <b>GTM9200P35012-S(R)</b> SHEET 1 OF 6

**PROPRIETARY INFORMATION:**

PROPRIETARY OF GLOBTEK, INC. ANY REPRODUCTION, DISCLOSURE OR USE OF THIS DRAWING, IN WHOLE OR IN PART, IS HEREBY PROHIBITED EXCEPT AS SPECIFIED IN WRITING BY GLOBTEK, INC.

**ENVIRONMENTAL**


TEMPERATURE COEFFICIENT                    ± 0.02% PER °C, TYPICAL  
OPERATING TEMPERATURE                    0° TO 70°C AT FULL POWER  
STORAGE TEMPERATURE                    -40° TO 85°C  
RELATIVE HUMIDITY                         OPERATING; 0-90% NON-CONDENSING  
ALTITUDE                                        UP TO 10000 FEET  
RANDOM VIBRATION/  
TRANSIENT DROP                                MIL-STD 810E  
MTBF    200,000 HOURS @ 25° AMBIENT TEMPERATURE  
ROHS:    COMPLIES WITH EU 2002/95/EC AND CHINA SJ/T 11363-2006

**SAFETY**

HIPOT (PRI-SEC)                                5656 VDC FOR MEDICAL VERSION  
EARTH LEAKAGE                                < 0.3mA @ 50/60Hz, 264 VAC INPUT

**APPROVAL**

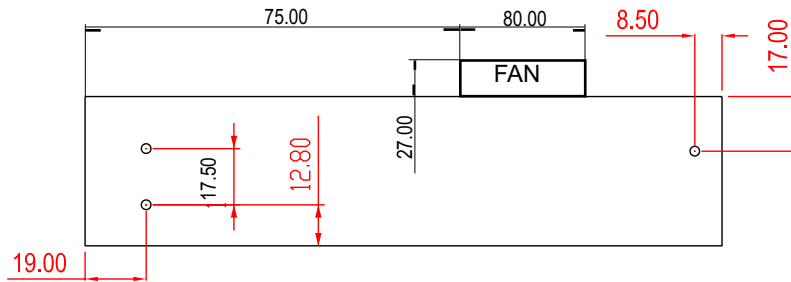
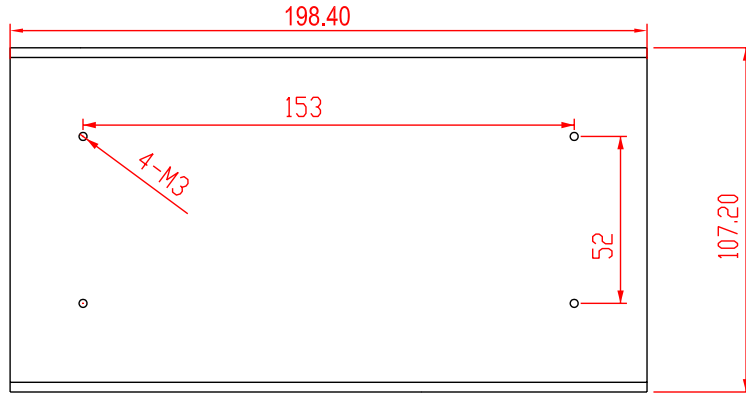
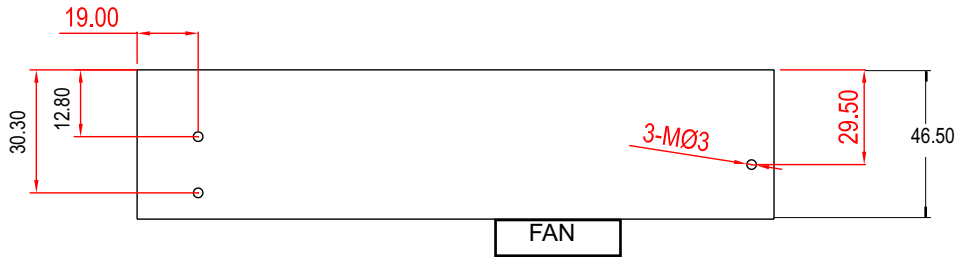
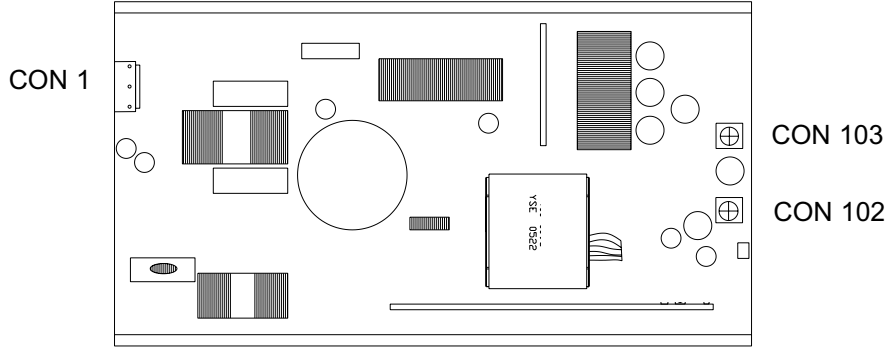
MEDICAL VERSION                              UL60601-1, CUL TO 22.2 NO. 60601-1, DEMKO TO EN60601-1  
EMI    EN55022 CLASS B AND FCC PART 15, TESTED WITH RESISTIVE LOAD.  
CE MARK                                        EN61000-3-2, EN61000-3-3 AND EN50082-1  
    INCLUDING EN61000-4-2 , EN61000-4-3, EN61000-4-4,  
    EN61000-4-5, EN61000-4-6, EN61000-4-11

 <b>GlobTek, Inc.</b> www.globtek.com		186 Veterans Dr. Northvale, NJ 07647 Tel. 201-784-1000 Fax 201.784.0111
DWG TITLE: SWITCHER , 350 WATT, FAMILY, SINGLE OUTPUT, UNIVERSAL INPUT, MEDICAL AND ITE, CLASS I		
MODEL NO:    GTM9200P35012		REV. E
PART NO:      GTM9200P35012-S(R)		SHEET 2 OF 6

**PROPRIETARY INFORMATION:**  
 PROPRIETARY OF GLOBTEK, INC. ANY REPRODUCTION, DISCLOSURE OR  
 USE OF THIS DRAWING, IN WHOLE OR IN PART, IS HEREBY  
 PROHIBITED EXCEPT AS SPECIFIED IN WRITING BY GLOBTEK, INC.

**2. MECHANICAL SPECIFICATION**

**SIZE: 198.40 x 107.20 x 46.50 mm**



**GlobTek, Inc.**  
 www.globtek.com

186 Veterans Dr. Northvale, NJ 07647  
 Tel. 201-784-1000 Fax 201.784.0111

DWG TITLE: SWITCHER, 350 WATT, FAMILY, SINGLE OUTPUT,  
 UNIVERSAL INPUT, MEDICAL AND ITE, CLASS I

MODEL NO: GTM9200P35012

REV.  
 E

PART NO: GTM9200P35012-S(R)

SHEET 3 OF 6

**PROPRIETARY INFORMATION:**

PROPRIETARY OF GLOBTEK, INC. ANY REPRODUCTION, DISCLOSURE OR USE OF THIS DRAWING, IN WHOLE OR IN PART, IS HEREBY PROHIBITED EXCEPT AS SPECIFIED IN WRITING BY GLOBTEK, INC.

**PIN ASSIGNMENTS:**

CON1: (PIN 1: EARTH, PIN 3: LINE, PIN 5: NEUTRAL)

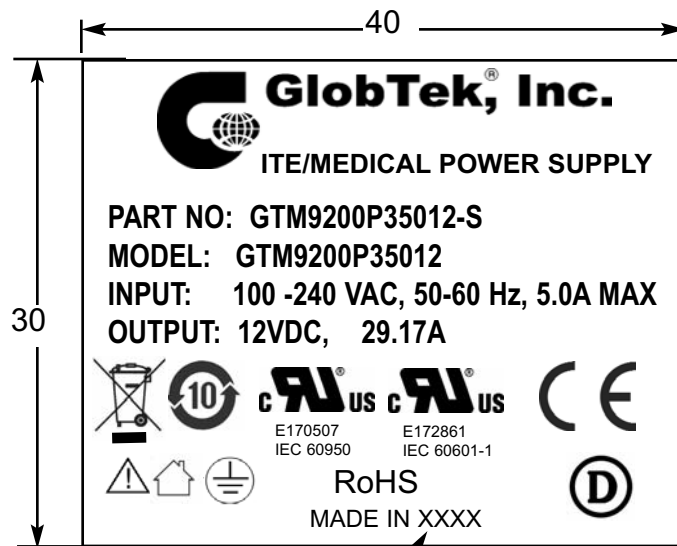
MOLEX P/N 26-62-4051 MATE WITH MOLEX P/N 09-50-3051, CRIMP TERMINAL P/N 08-52-0071

CON102 (POSITIVE), CON103 (COMMON):

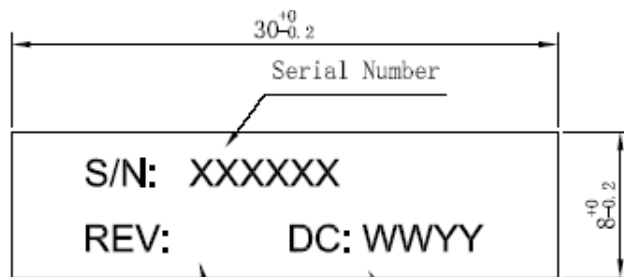
M4X6 SCREW TERMINAL

**3. LABEL:**

MATERIAL: .007 (0.18) THICK FLAT THERMAL TRANSFER, IMPRINTABLE, WHITE OR GRAY POLYESTER SHEET WITH BLACK NOMENCLATURE. MANUFACTURER: STEVEN LABEL, MATERIAL I.D. NO.3302-33, UL FILE NO. MH12821(N), UL MATERIAL DESIGNATION FILE NO. GHW332RL. OPTIONAL LABEL MATERIAL CAN BE SUBSTITUTED PROVIDING MATERIAL IS UL LISTED AND COMPLIES WITH APPLICABLE SAFETY REQUIREMENTS.



XXXX - USA OR CHINA



DATE CODE:  
WW — WEEK  
YEAR — YEAR

model revision level: GTUS SPEC revision level

机种版本: SPEC的版本

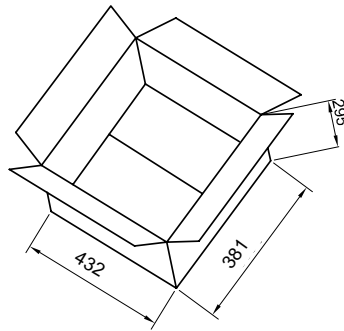
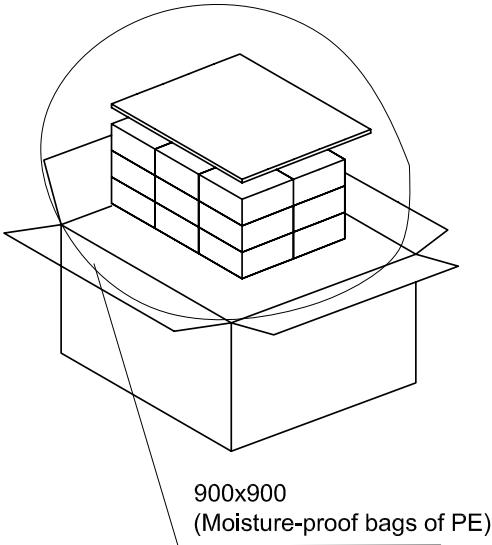
<b>GlobTek, Inc.</b> www.globtek.com		186 Veterans Dr. Northvale, NJ 07647 Tel. 201-784-1000 Fax 201.784.0111
DWG TITLE: SWITCHER , 350 WATT, FAMILY, SINGLE OUTPUT, UNIVERSAL INPUT, MEDICAL AND ITE, CLASS I		
MODEL NO:	GTM9200P35012	REV. E
PART NO:	GTM9200P35012-S(R)	SHEET 4 OF 6

**PROPRIETARY INFORMATION:**  
 PROPRIETARY OF GLOBTEK, INC. ANY REPRODUCTION, DISCLOSURE OR  
 USE OF THIS DRAWING, IN WHOLE OR IN PART, IS HEREBY  
 PROHIBITED EXCEPT AS SPECIFIED IN WRITING BY GLOBTEK, INC.

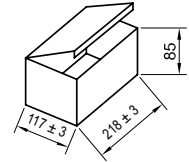
**4. INDIVIDUAL PACKING BOX:**

MATERIAL: CORRUGATED FIBERBOARD, F-FLUTE 0.8 (3.0) THICK, DOUBLE WALL CONSTRUCTION.  
 EXTERNAL FINISH: WHITE, COATED WITH GLOSS FINISH (AQUEOUS OR VARNISH) STYLE: TUCK SIDES WITH  
 LOCKING TABS ON BOTH SIDES OF BOX. NO PRINTING ON THE OUTSIDE OF BOX.

18PCS/CARTON  
 2(L:218) x 3(W:117) x 3(H:85)

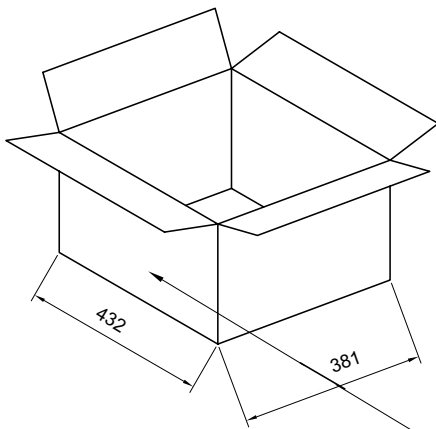


OUTSIDE CARTON



GIFT BOX 礼品盒 218(L)X117(W)X85(H)

PARTITION



**GlobTek, Inc.**  
 CHINA MANUFACTURING  
 MADE IN CHINA  
 GLOBTEK L/R #  
 GLOBTEK PART #  
 Quantity/Carton:  
 Carton # of #

**GlobTek, Inc.**  
[www.globtek.com](http://www.globtek.com)

186 Veterans Dr. Northvale, NJ 07647  
 Tel. 201-784-1000 Fax 201.784.0111

DWG TITLE: SWITCHER, 350 WATT, FAMILY, SINGLE OUTPUT,  
 UNIVERSAL INPUT, MEDICAL AND ITE, CLASS I

MODEL NO: GTM9200P35012

REV.  
 E

PART NO: GTM9200P35012-S(R)

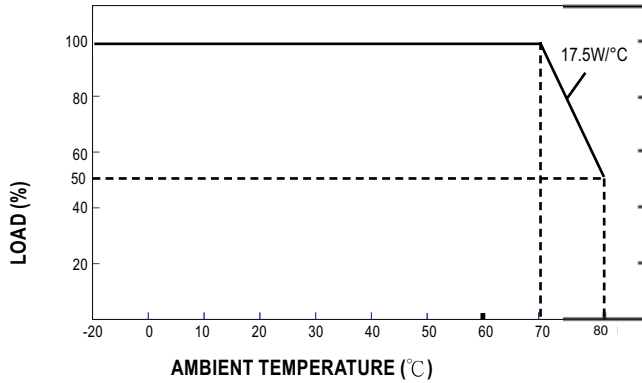
SHEET 5 OF 6

**PROPRIETARY INFORMATION:**

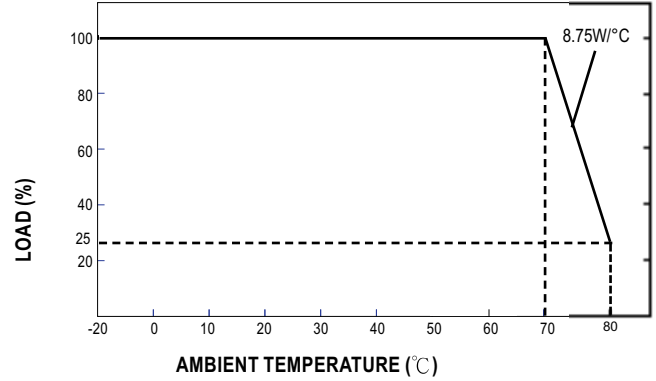
PROPRIETARY OF GLOBTEK, INC. ANY REPRODUCTION, DISCLOSURE OR USE OF THIS DRAWING, IN WHOLE OR IN PART, IS HEREBY PROHIBITED EXCEPT AS SPECIFIED IN WRITING BY GLOBTEK, INC.

**5. OUTPUT DERATING CURVES:**

**MODELS WITH OUTPUT  $\geq 12V$**



**MODELS WITH OUTPUT  $< 12V$**



**NOTES:**

1. MEDICAL VERSION IS DESIGNED NOT TO BE USED IN SYSTEM WITH DIRECT PATIENT CONTACT.
2. ALL MEASUREMENTS ARE MADE DIRECTLY AT THE TERMINALS OF THE SUPPLY.
3. OUTPUT RIPPLE AND SPIKE ARE MEASURED DIRECTLY AT THE OUTPUT TERMINALS OF THE POWER SUPPLY WITH 10 $\mu$ F TANTALUM AND 0.1 $\mu$ F CERAMIC CAPACITORS CONNECTED IN PARALLEL. PEAK-TO-PEAK METERING EQUIPMENT MUST HAVE A 20 MHz FREQUENCY RESPONSE WITH PROBES AND CABLES THAT MAINTAIN A FREQUENCY RESPONSE OF 20Hz TO 20MHz. OUTPUT RIPPLE SPECS OF 3.3V, 5V AND 7.5V MODELS IS 3% OF RESPECTIVE OUTPUT VOLTAGE.
4. CONDUCTED AND RADIATED EMI WERE PERFORMED WITH RESISTIVE LOAD SET TO FULL. PSU AND RESISTIVE LOAD WERE MOUNTED TOGETHER IN 30 x 30 x 3 mm ALUMINUM PLATE.
5. REMOTE SENSE WIRE SHOULD BE TWISTED TOGETHER WHEN USED.
6. ALL MEASUREMENTS ARE MADE AT 25°C AMBIENT TEMPERATURE AND ARE TYPICAL.
7. MOUNTING MAXIMUM INSERTION DEPTH IS 3MM.
8. GLOBTEK PRODUCTS ARE NOT AUTHORIZED TO BE USED AS MISSION CRITICAL COMPONENTS WITHOUT PRIOR WRITTEN APPROVAL FROM THE CEO OF GLOBTEK INC.
9. SPECIFICATIONS ARE SUBJECT TO CHANGE WITHOUT PRIOR NOTICE.



186 Veterans Dr. Northvale, NJ 07647  
Tel. 201-784-1000 Fax 201.784.0111

DWG TITLE: SWITCHER , 350 WATT, FAMILY, SINGLE OUTPUT,  
UNIVERSAL INPUT, MEDICAL AND ITE, CLASS I

MODEL NO: GTM9200P35012

REV.  
E

PART NO: GTM9200P35012-S(R)

SHEET 6 OF 6