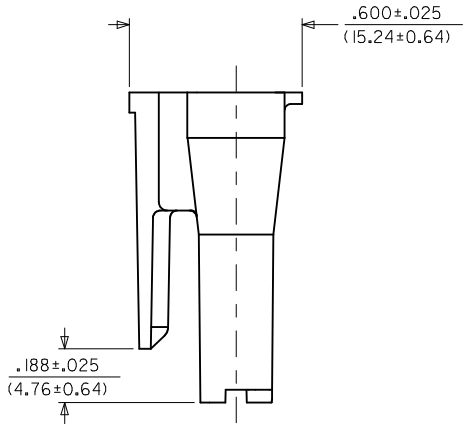
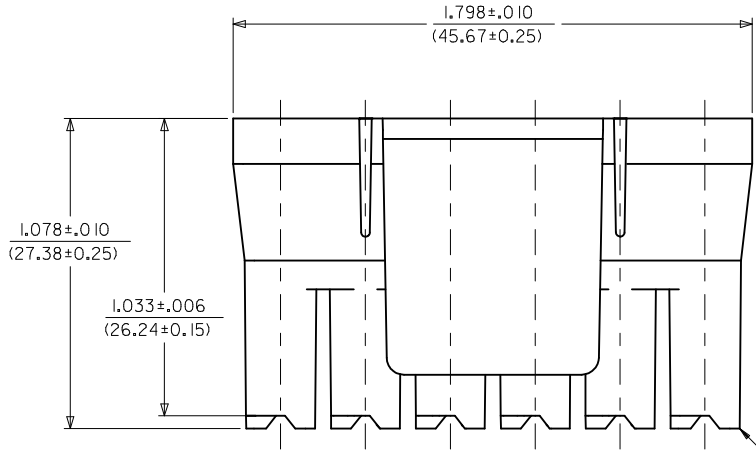
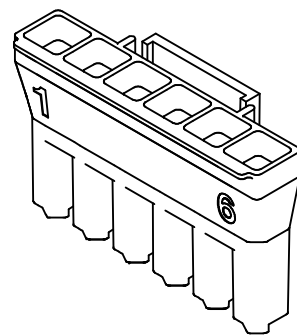
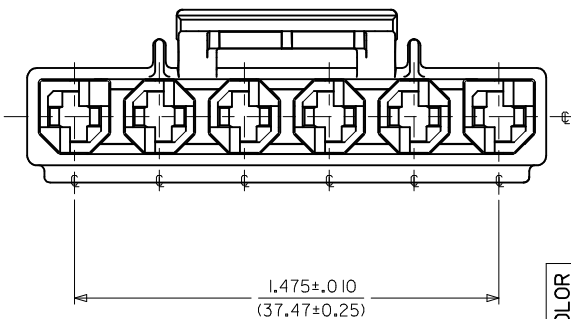


NOTES:

1. MATERIAL: NYLON,UL94V-2,COLOR : BLACK .
2. THIS CONNECTOR HOUSING FOR USE WITH 43375-**** TERMINALS.
3. THIS CONNECTOR HOUSING WILL MATE TO A-43160-*****6, 43180-****6, AND 43680-****6 HOUSINGS.
4. PRODUCT SPECIFICATION: PSX-44441-9999.
5. PACKAGING: PK-44441-001.



CIRCUIT 1



REVISE MAT'L COLOR EC NO: UCP2013-3793 DRW: AELHAG 2013/03/21 CHKD: J.BELL 2013/03/21 APPR: F.SMITH 2013/04/03	QUALITY SYMBOLS	GENERAL TOLERANCES (UNLESS SPECIFIED)		DIMENSION STYLE	SCALE	DESIGN UNITS	THIRD ANGLE PROJECTION
	▽=0	mm	INCH	IN/MM	3:1	INCH	
	▽=0	4 PLACES ± .010	± .010	DRAWN BY	DATE	TITLE	
	▽=0	3 PLACES ± .014	± .014	ES	2001/01/31	6-CIR. RECEPT. HOUSING	
	2 PLACES ± 0.25	± .014	CHECKED BY	DATE	.125/(3.18)X.020/(0.51)		
	1 PLACE ± 0.35	± .014	RE	2001/01/31	SABRE - TPA		
	0 PLACE ±	±	APPROVED BY	DATE	molex		
			ANGULAR ±1/2°		MATERIAL NO.	DOCUMENT NO.	SHEET NO.
			DRAFT WHERE APPLICABLE MUST REMAIN WITHIN DIMENSIONS		44441-1006	SD-44441-1006	1 OF 1
A2			SIZE C		THIS DRAWING CONTAINS INFORMATION THAT IS PROPRIETARY TO MOLEX INCORPORATED AND SHOULD NOT BE USED WITHOUT WRITTEN PERMISSION		