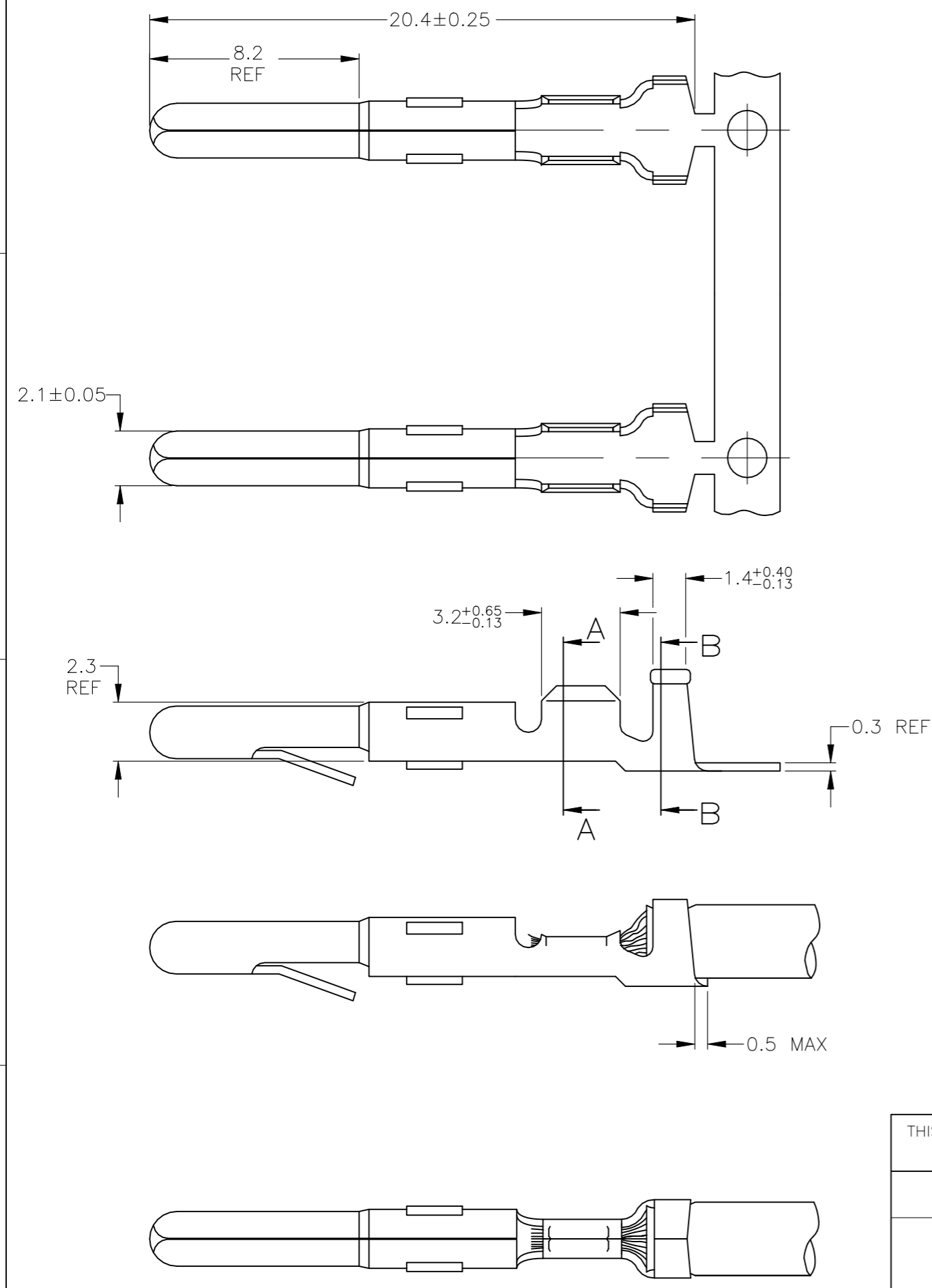
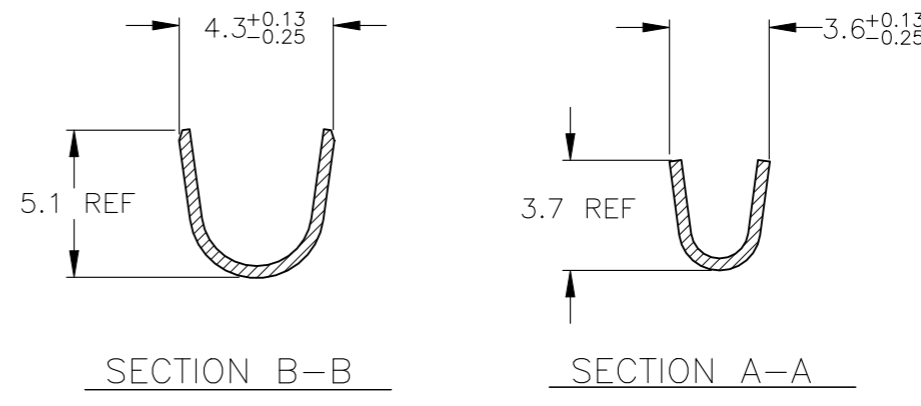


THIS DRAWING IS UNPUBLISHED. RELEASED FOR PUBLICATION
 © COPYRIGHT - By - ALL RIGHTS RESERVED.

REVISIONS					
P	LTR	DESCRIPTION	DATE	DWN	APVD
F3		REVISED PER ECR-18-008156	21JUN2018	JB	DZ
F4		REVISED PER ECR-21-101087	02JUL2021	SS	WLS
F5		REVISED PER ECN-23-195825	02FEB2023	WLS	VS



△1 FOR USE ON STANDARD APPLICATORS.(RIGHT-LEFT FEED)
 △2 FOR USE ON MINIATURE APPLICATORS.(LEFT-RIGHT FEED)



WIRE RANGE :
1.0-2.5mm² AWG
 INSULATION RANGE
2.6-3.8mm DIA

OBSOLETE	△2	GOLD	BRASS	1-163303-0
OBSOLETE	△1	GOLD	PHOSPHOR BR.	163303-9
	△2	PRE-TINPLATED	PHOSPHOR BR.	163303-8
OBSOLETE	△2	UNPLATED	PHOSPHOR BR.	163303-7
	△2	PRE-TINPLATED	BRASS	163303-6
OBSOLETE	△2	UNPLATED	BRASS	163303-5
OBSOLETE	△1	PRE-TINPLATED	PHOSPHOR BR.	163303-4
OBSOLETE	△1	UNPLATED	PHOSPHOR BR.	163303-3
OBSOLETE	△1	PRE-TINPLATED	BRASS	163303-2
OBSOLETE	△1	UNPLATED	BRASS	163303-1
		PLATING	PLATING	MATERIAL
				PART NUMBER

THIS DRAWING IS A CONTROLLED DOCUMENT.

DIMENSIONS: mm	TOLERANCES UNLESS OTHERWISE SPECIFIED: 0 PLC ± - 1 PLC ± - 2 PLC ± - 3 PLC ± - 4 PLC ± - ANGLES ± -	DWN J.v.LIEMPT CHK A.BIJNEN. APVD M.v.DRIEL PRODUCT SPEC APPLICATION SPEC	24 OCT 96	STE TE Connectivity	
MATERIAL	FINISH	WEIGHT 0.000000	SIZE A3	CAGE CODE 00779	DRAWING NO C-163303
CUSTOMER DRAWING			SCALE -	SHEET 1 OF 1	REV F5

PIN MATE-N-LOK.