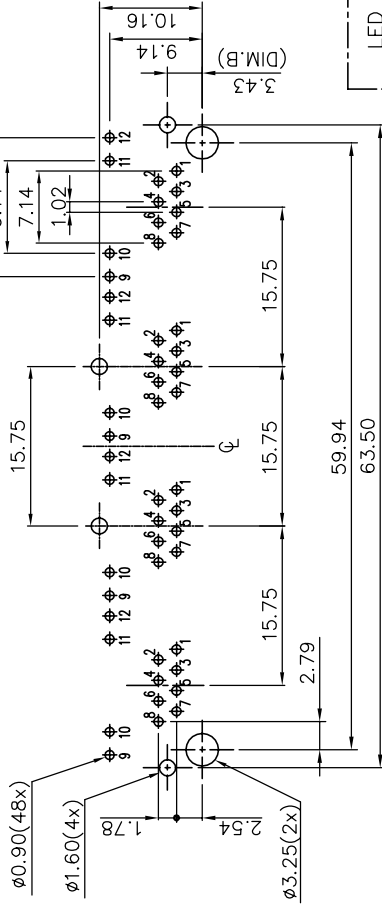
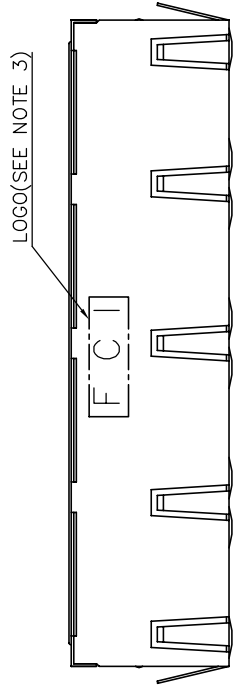
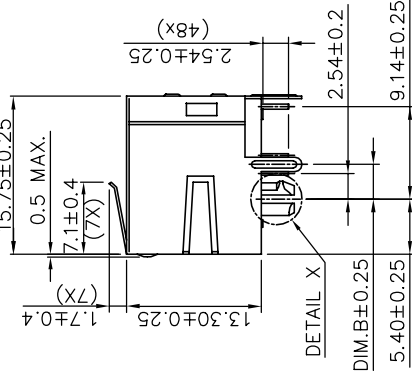
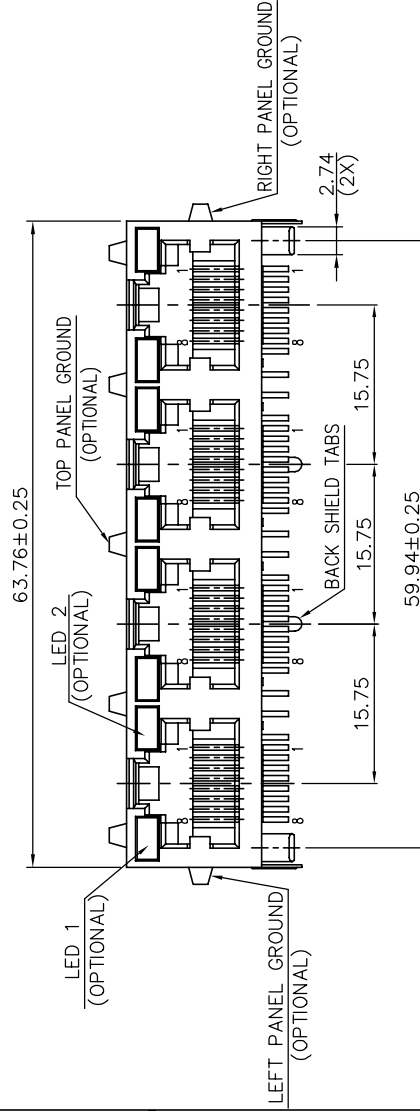


P/N	DIM.B
10118067-XXX6XXXLF	3.43

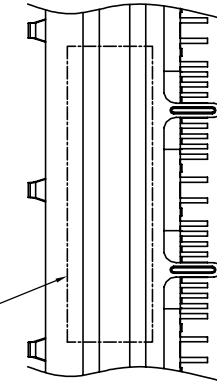


RECOMMENDED PCB LAYOUT

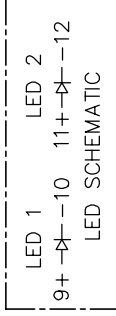
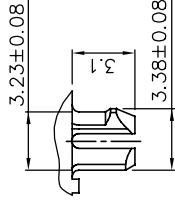
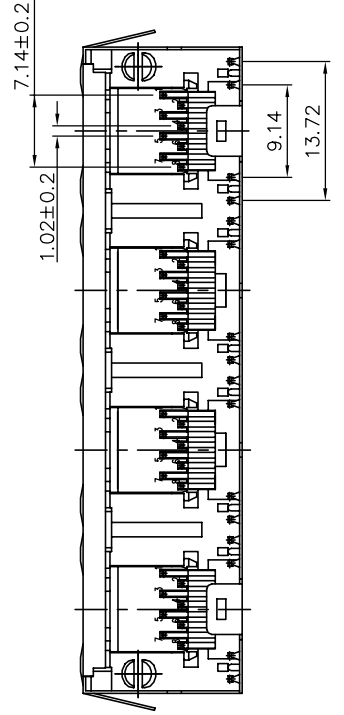
RECOMMENDED PCB THICKNESS: 1.6mm  
TOLERANCE: ±0.05mm (TOP VIEW)



PRINT P/N & DATE CODE  
(SEE NOTE 4)



BLACK VIEW



mat'l. code		surface	tolerance	projection	product family
itr	ecn no	dr	date	ASME Y14.5	ASME Y14.5
A	WL 11/04/11			tolerances unless otherwise specified	GANGED MJACK
B	ELX-N-009383 A.2H		01/05/12	MM	CAT 3 MULTI-PORTS TAB UP
C	ELX-N-13970 Henry		01/23/13	[INCH]	1X4 WITH SHIELD, W/ LED
				scale	dwg no
				dr	10118067
				enfr	sheet 1 of 2 size
				chr	A4
				appd	10118067
sheet	revision	index	sheet	type	CUSTOMER Drawing
	BX1 BX2	1 2			

