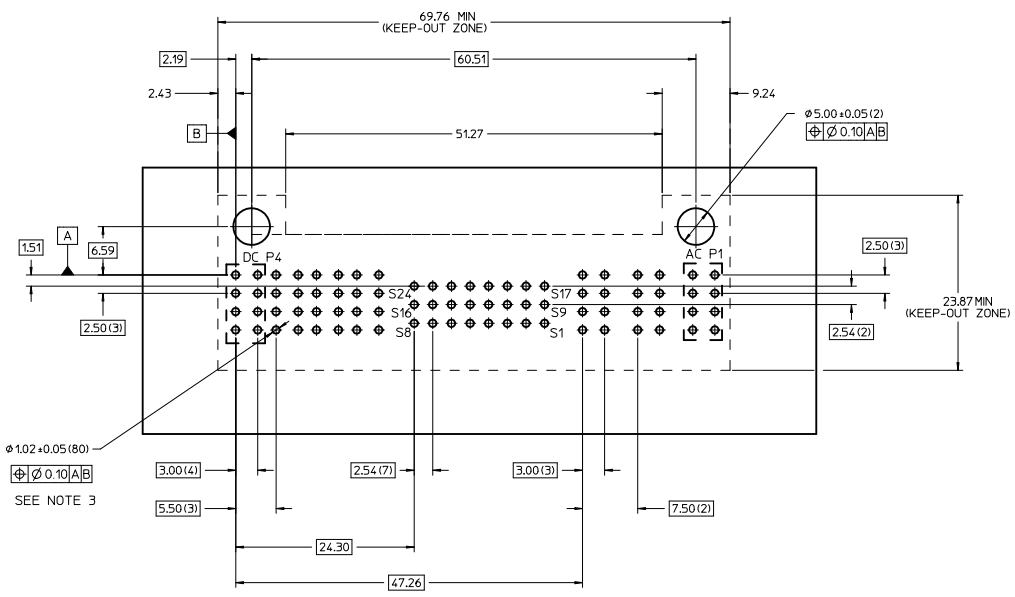
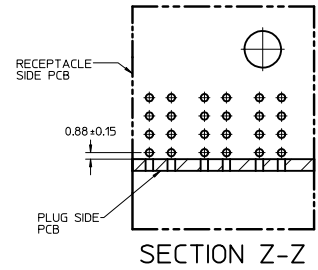


P/N: 46562-3013



RECOMMENDED PCB LAYOUT AND KEEP-OUT ZONE

NOTES:

- MATERIAL:
 - HOUSINGS: LCP UL94 V-0, COLOR: BLACK.
 - TERMINALS: COPPER ALLOY.
 - PLATING: 0.000127 NICKEL OVERALL WITH 0.00254 SELECTIVE TIN ON COMPLIANT PINS. AND 0.000762 SELECTIVE GOLD ON CONTACT AREA.
- ASSEMBLIES PACKED IN TRAYS. SPQ: TBD.
- PC BOARD REQUIRES THRU HOLES. REFER TO PS-46436-100 FOR DETAILS.
- PRODUCT SPEC: PS-46436-100.
- APPLICATION SPEC: AS-46436-100.
- PRODUCT TO MEET ROHS REQUIREMENTS.
- ASSEMBLY MATES WITH PLUG ASSEMBLY, P/N 46437-3013.

UPDATE DESCRIPTION IEC NO: UCP2010-1783 DRAWN: HKKARAD/MS CHKD: LING APPR: APATEL DATE: 2010/02/08 DATE: 2010/02/10	QUALITY SYMBOLS DESCRIPTION	GENERAL TOLERANCES (UNLESS SPECIFIED)		DIMENSION STYLE MM ONLY	SCALE 3:1	DESIGN UNITS METRIC	THIRD ANGLE PROJECTION	
		4 PLACES ±--- ±--- 3 PLACES ±--- ±--- 2 PLACES ±0.25 ±--- 1 PLACE ±0.25 ±--- ANGULAR ±1/2°	mm INCH	DRAWN BY KJKOH DATE 2009/03/11	CHECKED BY LNG DATE	APPROVED BY SHONG DATE	MATERIAL NO. 46562-0313	DOCUMENT NO. SD-46562-313
DRAFT WHERE APPLICABLE MUST REMAIN WITHIN DIMENSIONS		THIS DRAWING CONTAINS INFORMATION THAT IS PROPRIETARY TO MOLEX INCORPORATED AND SHOULD NOT BE USED WITHOUT WRITTEN PERMISSION		VERT RECEPT ASSY TG-3AC-24S-4P-TG TEN60, PRESS-FIT (B1)				MOLEX INCORPORATED