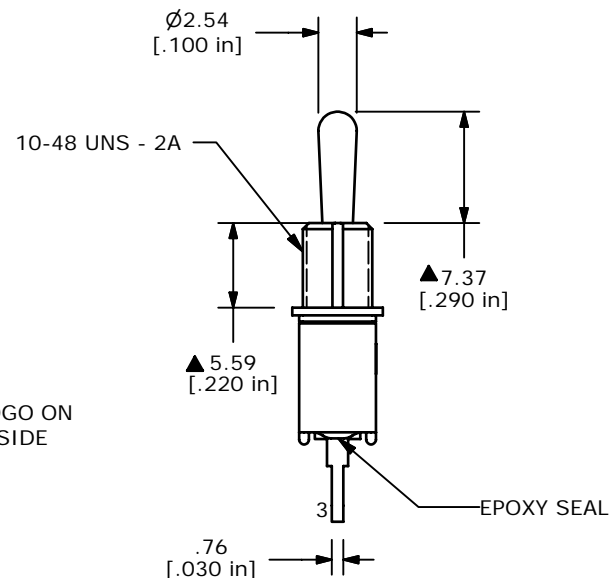
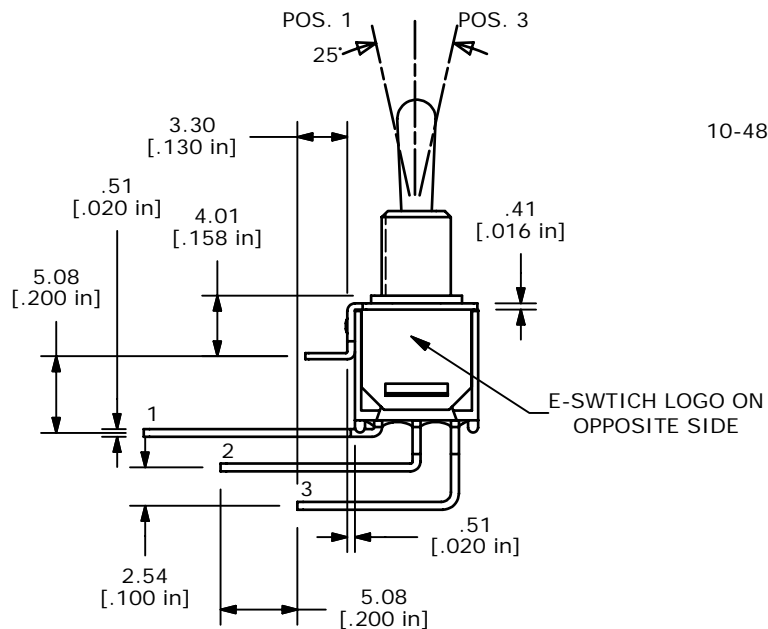
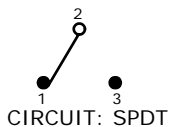


SWITCH FUNCTION		
POS. 1	POS. 2	POS. 3
ON	NONE	ON
2-3	N/A	2-1



- NOTE:
- ALL DIMENSIONS IN MM [INCH]
 - GENERAL TOLERANCE: X.X=±0.4
X.XX=±0.25
 - TERMINAL NUMBERS FOR REF ONLY
 - CONTACT MATERIAL: SILVER
 - RATING: 3A @ 120VAC OR 28VDC
1A @ 250VAC
 - ELECTRIC LIFE: 30,000 MAKE-AND-BREAK CYCLES AT FULL LOAD.
 - INSULATION RESISTANCE: 1,000 MEGA-OHM MIN.
 - DIELECTRIC STRENGTH: 1,000 V RMS @SEA LEVEL.
 - OPERATING TEMP.: -30°C to 85°C
 - 2002/95/EC (ROHS) COMPLIANT
 - ▲ DENOTES CRITICAL PARAMETER.
 - HARDWARE TO BE SHIPPED BULK:
T200000 - LOCK WASHER (2)
T200003 - LOCK RING (1)
T200001 - HEX NUT (2)

E-SWITCH®

A	16457	RELEASED FOR PRODUCTION	9/13/06	BO
REV	PCR NO	DESCRIPTION	DATE	BY

TITLE 200MSP1T3B3M7QEH				
SCALE	DATE	DR	DWG	REV
2:1	9/13/2006	BO	ST211002	A

THE INFORMATION CONTAINED IN THIS DOCUMENT IS PROPRIETARY TO E-SWITCH AND IS NOT TO BE COPIED OR TRANSFERRED