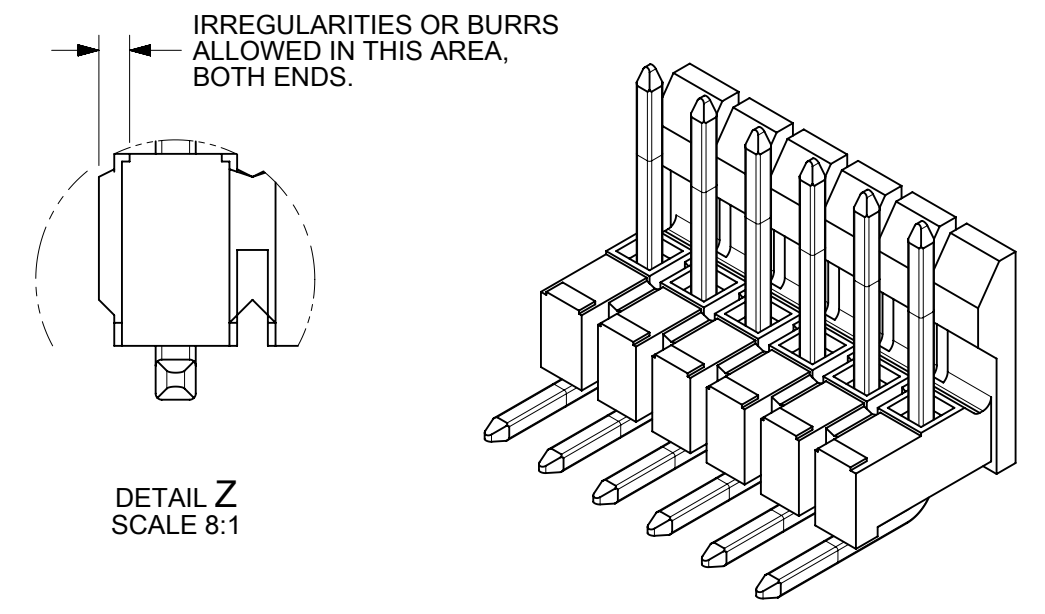
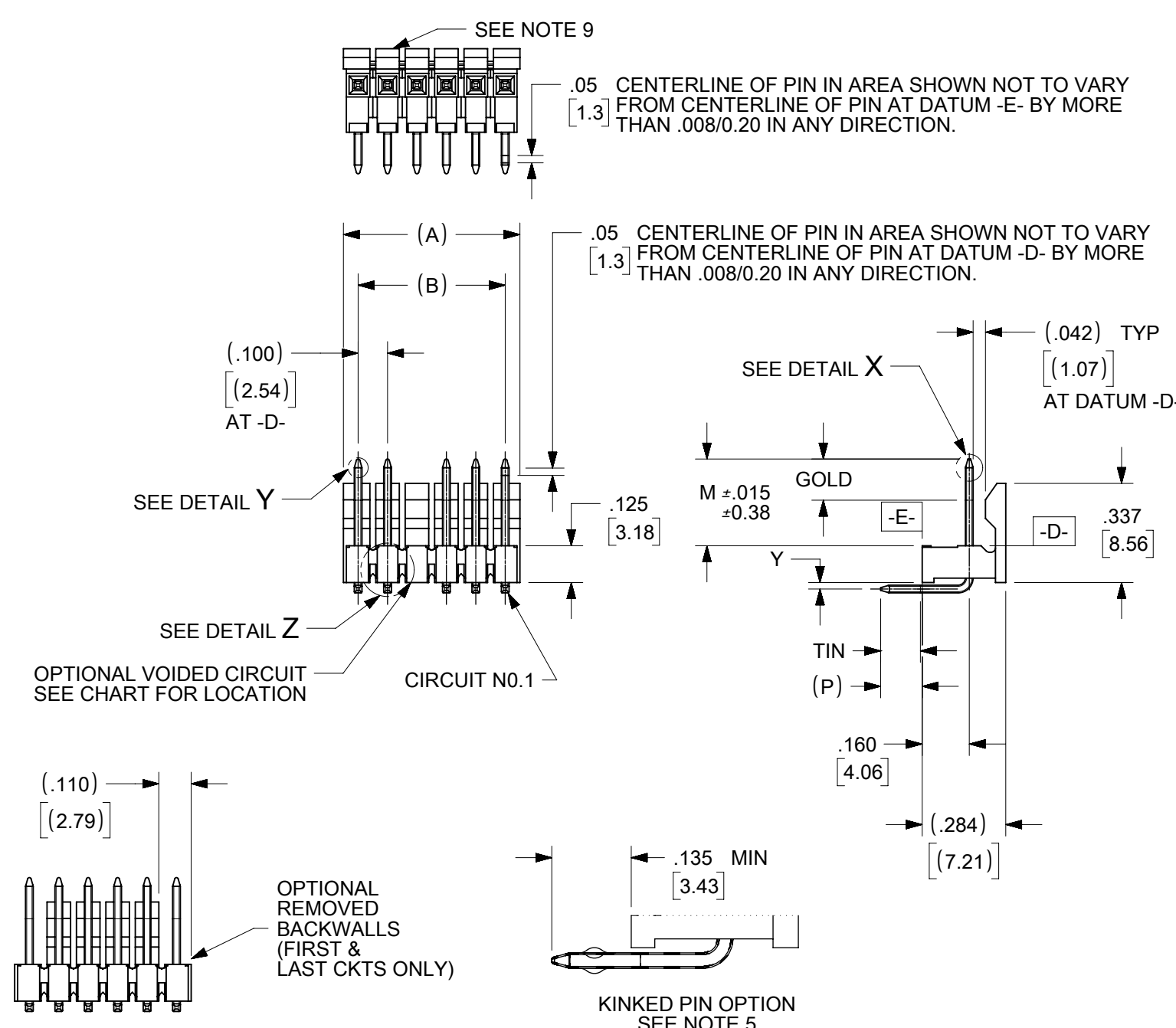
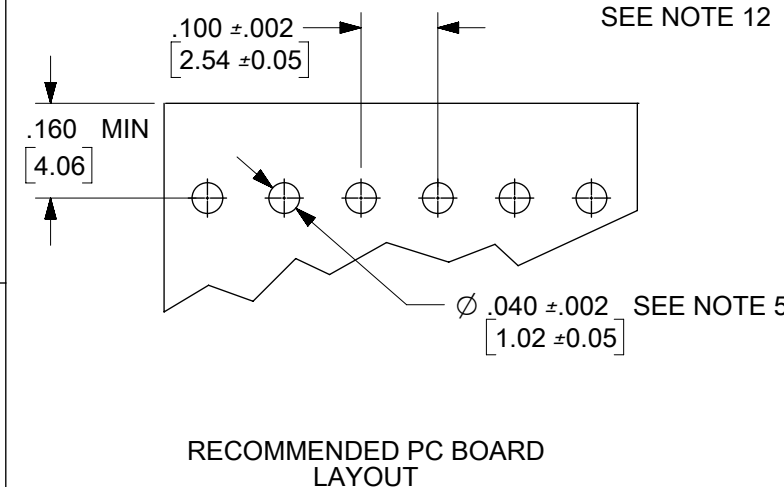
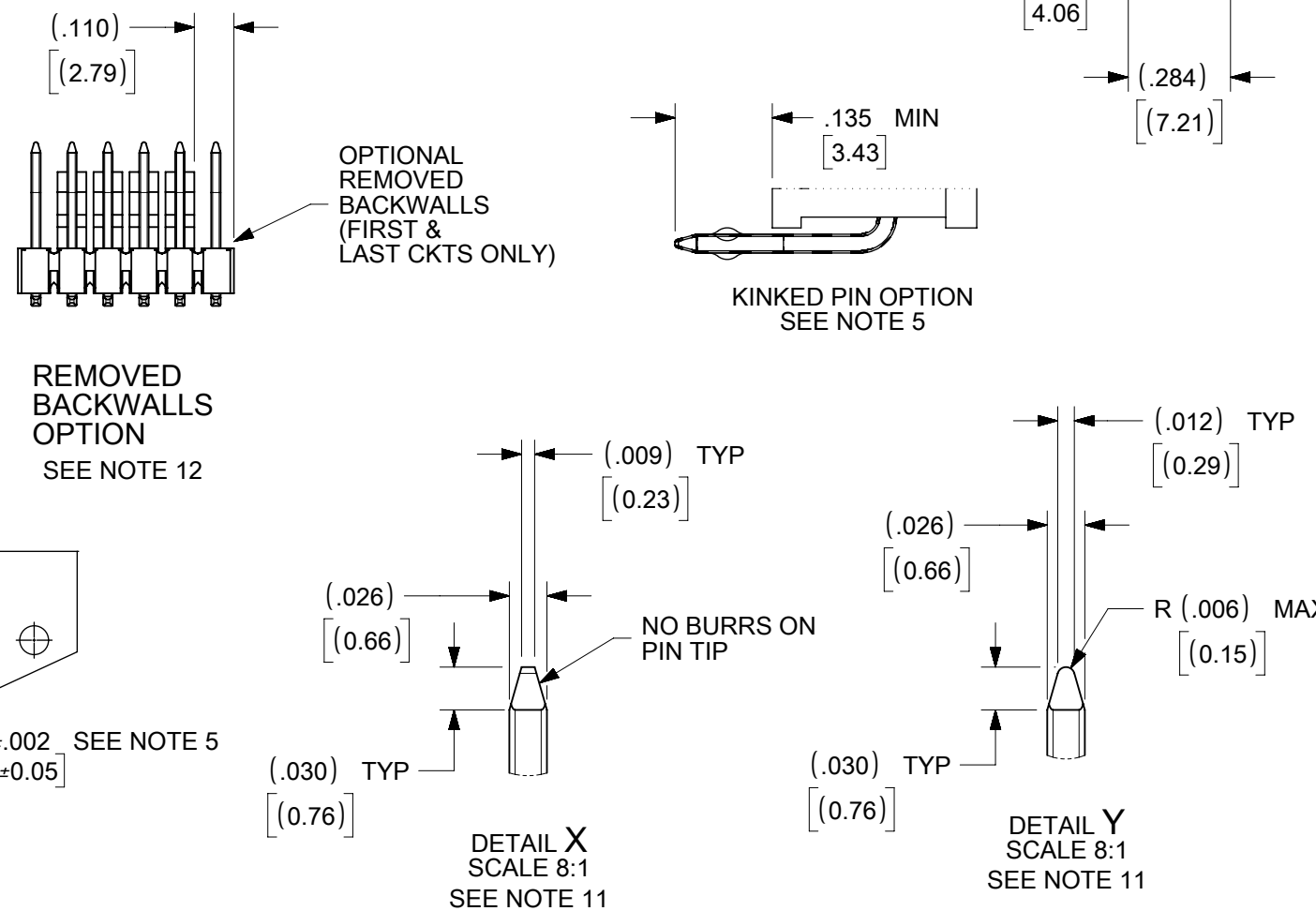


| CKTS | DIM A | DIM B |
|------|-------------|-------------|
| 2 | .200/5.08 | .100/2.54 |
| 3 | .300/7.62 | .200/5.08 |
| 4 | .400/10.16 | .300/7.62 |
| 5 | .500/12.70 | .400/10.16 |
| 6 | .600/15.24 | .500/12.70 |
| 7 | .700/17.78 | .600/15.24 |
| 8 | .800/20.32 | .700/17.78 |
| 9 | .900/22.86 | .800/20.32 |
| 10 | 1.000/25.40 | .900/22.86 |
| 11 | 1.100/27.94 | 1.000/25.40 |
| 12 | 1.200/30.48 | 1.100/27.94 |
| 13 | 1.300/33.02 | 1.200/30.48 |
| 14 | 1.400/35.56 | 1.300/33.02 |
| 15 | 1.500/38.10 | 1.400/35.56 |
| 16 | 1.600/40.64 | 1.500/38.10 |
| 17 | 1.700/43.18 | 1.600/40.64 |
| 18 | 1.800/45.72 | 1.700/43.18 |
| 19 | 1.900/48.26 | 1.800/45.72 |
| 20 | 2.000/50.80 | 1.900/48.26 |
| 21 | 2.100/53.34 | 2.000/50.80 |
| 22 | 2.200/55.88 | 2.100/53.34 |
| 23 | 2.300/58.42 | 2.200/55.88 |
| 24 | 2.400/60.96 | 2.300/58.42 |
| 25 | 2.500/63.50 | 2.400/60.96 |
| 26 | 2.600/66.04 | 2.500/63.50 |
| 27 | 2.700/68.58 | 2.600/66.04 |
| 28 | 2.800/71.12 | 2.700/68.58 |
| 29 | 2.900/73.66 | 2.800/71.12 |
| 30 | 3.000/76.20 | 2.900/73.66 |
| 31 | 3.100/78.74 | 3.000/76.20 |
| 32 | 3.200/81.28 | 3.100/78.74 |
| 33 | 3.300/83.82 | 3.200/81.28 |
| 34 | 3.400/86.36 | 3.300/83.82 |
| 35 | 3.500/88.90 | 3.400/86.36 |
| 36 | 3.600/91.44 | 3.500/88.90 |



- NOTES:
- MATERIAL: GLASS FILLED NYLON, 94V-0, COLOR: BLACK
 - FINISH:
 - (154) OVERALL TIN: .000100/0.00254 MIN, OVER .000050/0.00127 MIN NICKEL.
 - (208) SELECT GOLD: .000015/0.00038 MIN, SELECT TIN: .000100/0.00254 MIN, OVERALL NICKEL UNDERPLATE: .000050/0.00127 MIN.
 - (228) SELECT GOLD: .000030/0.00076 MIN, SELECT TIN: .000100/0.00254 MIN, OVERALL NICKEL UNDERPLATE: .000050/0.00127 MIN.
 - PRODUCT SPECIFICATION: PS-10-07.
 - PACKAGING INFORMATION: SEE TABLES
 - KINK PIN OPTION NOT RECOMMENDED FOR 2 CIRCUIT PARTS. HOLE SIZE MAY NEED TO BE ADJUSTED ON 2 CIRCUIT PARTS WITH KINK OPTION FOR PROPER INSERTION INTO THE PCB. SEE SMES-42003 OR SMES-43703-0000 FOR ADDITIONAL INFORMATION ON KINK PIN DIRECTION AND PLACEMENT.
 - HEADERS ARE NOT STACKABLE ON .100/2.54 CENTERS.
 - SOLDERABILITY PER SMES-152.
 - PIN PUSH OUT FORCE: 3 LBS. MIN.
 - ABRASION MARKS ON BACK WALL SURFACE ARE PERMISSIBLE.
 - PARTS CONFORM TO CLASS 'B' REQUIREMENTS OF COSMETIC SPECIFICATION PS-45499-002.
 - PIN TIP DIMENSIONS ARE SHOWN FOR REFERENCE ONLY. DIMENSIONS APPLY PRIOR TO PLATING OR ASSEMBLY.
 - FIRST AND LAST CIRCUIT BACKWALLS MUST BE REMOVED WHEN MATING TO A PART WITH POLARIZING RIBS.



| SYMBOLS | | THIS DRAWING CONTAINS INFORMATION THAT IS PROPRIETARY TO MOLEX ELECTRONIC TECHNOLOGIES, LLC AND SHOULD NOT BE USED WITHOUT WRITTEN PERMISSION | |
|---------------------------------|--|---|--------------|
| | | DIMENSION UNITS | SCALE |
| ▽ = 0 | in/mm | 2:1 | |
| ▽ = 0 | GENERAL TOLERANCES (UNLESS SPECIFIED) | | |
| ▽ = 0 | | MM | INCH |
| ▽ = 0 | 4 PLACES ± | | |
| ▽ = 0 | 3 PLACES ± | | ± 0.01 |
| ▽ = 0 | 2 PLACES ± | 0.25 | |
| ▽ = 0 | 1 PLACE ± | 0.36 | |
| ▽ = 0 | 0 PLACES ± | | |
| ▽ = 0 | ANGULAR TOL | ± 0.5° | |
| ■ = 0 | DRAFT WHERE APPLICABLE MUST REMAIN WITHIN DIMENSIONS | | |
| ▽ = 0 | THIRD ANGLE PROJECTION | DRAWING | SERIES |
| | | B-SIZE | 42228 |
| CURRENT REV DESC: NEW PIN ADDED | | EC NO: 605734 | |
| | | DRWN: SS06 | 2018/09/21 |
| | | CHK'D: ISHWARG | 2018/10/11 |
| | | APPR: ISHWARG | 2018/10/11 |
| INITIAL REVISION: | | DRWN: JSCHAFFER | 2004/03/18 |
| | | APPR: MARGULIS | 2004/03/18 |
| DOCUMENT NUMBER | | DOC TYPE | DOC PART |
| SD-42228-002 | | PSD | 001 |
| REVISION | | | |
| L7 | | | |
| MATERIAL NUMBER | | CUSTOMER | SHEET NUMBER |
| SEE CHART | | GENERAL MARKET | 1 OF 6 |

| A-42228-0213/0246 | | | | | |
|--------------------|-----------------|-------------------------|------|-----------------|--------------|
| HEADER NUMBER: | | 41411 | | | |
| PIN NUMBER: | | 154 | | | |
| PIN LENGTH: L | | .705/17.91 | | | |
| MATING LENGTH: M | | .295/7.49 | | | |
| GOLD POINT: G | | N/A | | | |
| PC TAIL LENGTH: P | | .120/3.05 | | | |
| TIN: T | | OVERALL | | | |
| DIMENSION Y | | .022/0.56 | | | |
| CKTS: | | 3-36 | | | |
| KINKS: | | NO | | | |
| REMOVED BACKWALLS: | | YES | | | |
| VOIDED CKTS: | | NONE | | | |
| PACKAGING: | | BULK, PER PK-40873-0056 | | | |
| CKTS | MATERIAL NUMBER | ENG NUMBER | CKTS | MATERIAL NUMBER | ENG NUMBER |
| 2 | | | 20 | 22-28-1206 | A-42228-0230 |
| 3 | 22-28-1036 | A-42228-0213 | 21 | 22-28-1216 | A-42228-0231 |
| 4 | 22-28-1046 | A-42228-0214 | 22 | 22-28-1226 | A-42228-0232 |
| 5 | 22-28-1056 | A-42228-0215 | 23 | 22-28-1236 | A-42228-0233 |
| 6 | 22-28-1066 | A-42228-0216 | 24 | 22-28-1246 | A-42228-0234 |
| 7 | 22-28-1076 | A-42228-0217 | 25 | 22-28-1256 | A-42228-0235 |
| 8 | 22-28-1086 | A-42228-0218 | 26 | 22-28-1266 | A-42228-0236 |
| 9 | 22-28-1096 | A-42228-0219 | 27 | 22-28-1276 | A-42228-0237 |
| 10 | 22-28-1106 | A-42228-0220 | 28 | 22-28-1286 | A-42228-0238 |
| 11 | 22-28-1116 | A-42228-0221 | 29 | 22-28-1296 | A-42228-0239 |
| 12 | 22-28-1126 | A-42228-0222 | 30 | 22-28-1306 | A-42228-0240 |
| 13 | 22-28-1136 | A-42228-0223 | 31 | 22-28-1316 | A-42228-0241 |
| 14 | 22-28-1146 | A-42228-0224 | 32 | 22-28-1326 | A-42228-0242 |
| 15 | 22-28-1156 | A-42228-0225 | 33 | 22-28-1336 | A-42228-0243 |
| 16 | 22-28-1166 | A-42228-0226 | 34 | 22-28-1346 | A-42228-0244 |
| 17 | 22-28-1176 | A-42228-0227 | 35 | 22-28-1356 | A-42228-0245 |
| 18 | 22-28-1186 | A-42228-0228 | 36 | 22-28-1366 | A-42228-0246 |
| 19 | 22-28-1196 | A-42228-0229 | | | |

| A-42228-0248/0281 | | | | | |
|--------------------|-----------------|-------------------------|------|-----------------|--------------|
| HEADER NUMBER: | | 41411 | | | |
| PIN NUMBER: | | 208 | | | |
| PIN LENGTH: L | | .705/17.91 | | | |
| MATING LENGTH: M | | .295/7.49 | | | |
| GOLD POINT: G | | .140/3.56 | | | |
| PC TAIL LENGTH: P | | .120/3.05 | | | |
| TIN: T | | .135/3.43 | | | |
| DIMENSION Y | | .022/0.56 | | | |
| CKTS: | | 3-36 | | | |
| KINKS: | | NO | | | |
| REMOVED BACKWALLS: | | YES | | | |
| VOIDED CKTS: | | NONE | | | |
| PACKAGING: | | BULK, PER PK-40873-0056 | | | |
| CKTS | MATERIAL NUMBER | ENG NUMBER | CKTS | MATERIAL NUMBER | ENG NUMBER |
| 2 | | | 20 | 22-28-1207 | A-42228-0265 |
| 3 | 22-28-1037 | A-42228-0248 | 21 | 22-28-1217 | A-42228-0266 |
| 4 | 22-28-1047 | A-42228-0249 | 22 | 22-28-1227 | A-42228-0267 |
| 5 | 22-28-1057 | A-42228-0250 | 23 | 22-28-1237 | A-42228-0268 |
| 6 | 22-28-1067 | A-42228-0251 | 24 | 22-28-1247 | A-42228-0269 |
| 7 | 22-28-1077 | A-42228-0252 | 25 | 22-28-1257 | A-42228-0270 |
| 8 | 22-28-1087 | A-42228-0253 | 26 | 22-28-1267 | A-42228-0271 |
| 9 | 22-28-1097 | A-42228-0254 | 27 | 22-28-1277 | A-42228-0272 |
| 10 | 22-28-1107 | A-42228-0255 | 28 | 22-28-1287 | A-42228-0273 |
| 11 | 22-28-1117 | A-42228-0256 | 29 | 22-28-1297 | A-42228-0274 |
| 12 | 22-28-1127 | A-42228-0257 | 30 | 22-28-1307 | A-42228-0275 |
| 13 | 22-28-1137 | A-42228-0258 | 31 | 22-28-1317 | A-42228-0276 |
| 14 | 22-28-1147 | A-42228-0259 | 32 | 22-28-1327 | A-42228-0277 |
| 15 | 22-28-1157 | A-42228-0260 | 33 | 22-28-1337 | A-42228-0278 |
| 16 | 22-28-1167 | A-42228-0261 | 34 | 22-28-1347 | A-42228-0279 |
| 17 | 22-28-1177 | A-42228-0262 | 35 | 22-28-1357 | A-42228-0280 |
| 18 | 22-28-1187 | A-42228-0263 | 36 | 22-28-1367 | A-42228-0281 |
| 19 | 22-28-1197 | A-42228-0264 | | | |

| <p>SYMBOLS</p> <p>THIS DRAWING CONTAINS INFORMATION THAT IS PROPRIETARY TO MOLEX ELECTRONIC TECHNOLOGIES, LLC AND SHOULD NOT BE USED WITHOUT WRITTEN PERMISSION</p> <p>CURRENT REV DESC: NEW PN ADDED</p> | | | | | | <p>molex</p> <p>.100 FRICTION LOCK BREAKAWAY HEADER ASSY</p> <p>PRODUCT CUSTOMER DRAWING</p> | | | | | | | | | | | | | | | | | | | | | | | | | | | | | |
|---|--------|---|--|--|--|---|----|----------------------------|----------|---|---|---------------------------------------|---|-----------------------------------|----------|--------|---|---------|--------|---|----------|---|---|--|--|---|--|--|--|----------------------------|--|----------------------------|--|---------------------------|--|
| <p>DIMENSION UNITS</p> <p>in/mm</p> | | <p>SCALE</p> <p>1:1</p> | | <p>GENERAL TOLERANCES (UNLESS SPECIFIED)</p> <table border="1"> <tr> <th></th> <th>MM</th> <th>INCH</th> </tr> <tr> <td>4 PLACES</td> <td>±</td> <td>±</td> </tr> <tr> <td>3 PLACES</td> <td>±</td> <td>± 0.01</td> </tr> <tr> <td>2 PLACES</td> <td>± 0.25</td> <td>±</td> </tr> <tr> <td>1 PLACE</td> <td>± 0.36</td> <td>±</td> </tr> <tr> <td>0 PLACES</td> <td>±</td> <td>±</td> </tr> </table> | | | MM | INCH | 4 PLACES | ± | ± | 3 PLACES | ± | ± 0.01 | 2 PLACES | ± 0.25 | ± | 1 PLACE | ± 0.36 | ± | 0 PLACES | ± | ± | <p>EC NO: 605734</p> <p>DRWN: SS06 2018/09/21</p> <p>CHK'D: ISHWARG 2018/10/11</p> <p>APPR: ISHWARG 2018/10/11</p> | | <p>INITIAL REVISION:</p> <p>DRWN: JSCHAFFER 2004/03/18</p> <p>APPR: MARGULIS 2004/03/18</p> | | <p>DOCUMENT NUMBER</p> <p>SD-42228-002</p> | | <p>DOC TYPE</p> <p>PSD</p> | | <p>DOC PART</p> <p>001</p> | | <p>REVISION</p> <p>L7</p> | |
| | MM | INCH | | | | | | | | | | | | | | | | | | | | | | | | | | | | | | | | | |
| 4 PLACES | ± | ± | | | | | | | | | | | | | | | | | | | | | | | | | | | | | | | | | |
| 3 PLACES | ± | ± 0.01 | | | | | | | | | | | | | | | | | | | | | | | | | | | | | | | | | |
| 2 PLACES | ± 0.25 | ± | | | | | | | | | | | | | | | | | | | | | | | | | | | | | | | | | |
| 1 PLACE | ± 0.36 | ± | | | | | | | | | | | | | | | | | | | | | | | | | | | | | | | | | |
| 0 PLACES | ± | ± | | | | | | | | | | | | | | | | | | | | | | | | | | | | | | | | | |
| <p>ANGULAR TOL</p> <p>± 0.5°</p> | | <p>DRAFT WHERE APPLICABLE MUST REMAIN WITHIN DIMENSIONS</p> | | <p>THIRD ANGLE PROJECTION</p> | | <p>DRAWING</p> <p>B-SIZE</p> | | <p>SERIES</p> <p>42228</p> | | <p>MATERIAL NUMBER</p> <p>SEE CHART</p> | | <p>CUSTOMER</p> <p>GENERAL MARKET</p> | | <p>SHEET NUMBER</p> <p>2 OF 6</p> | | | | | | | | | | | | | | | | | | | | | |
| <p>DOCUMENT STATUS</p> <p>P1</p> | | <p>RELEASE DATE</p> <p>2018/10/11 05:21:29</p> | | | | | | | | | | | | | | | | | | | | | | | | | | | | | | | | | |

| A-42228-0283/0316 | | | | | |
|--------------------|-----------------|-------------------------|------|-----------------|--------------|
| HEADER NUMBER: | | 41411 | | | |
| PIN NUMBER: | | 228 | | | |
| PIN LENGTH: L | | .705/17.91 | | | |
| MATING LENGTH: M | | .295/7.49 | | | |
| GOLD POINT: G | | .140/3.56 | | | |
| PC TAIL LENGTH: P | | .120/3.05 | | | |
| TIN: T | | .135/3.43 | | | |
| DIMENSION Y | | .022/0.56 | | | |
| CKTS: | | 3-36 | | | |
| KINKS: | | NO | | | |
| REMOVED BACKWALLS: | | YES | | | |
| VOIDED CKTS: | | NONE | | | |
| PACKAGING: | | BULK, PER PK-40873-0056 | | | |
| CKTS | MATERIAL NUMBER | ENG NUMBER | CKTS | MATERIAL NUMBER | ENG NUMBER |
| 2 | | | 20 | 22-28-1208 | A-42228-0300 |
| 3 | 22-28-1038 | A-42228-0283 | 21 | 22-28-1218 | A-42228-0301 |
| 4 | 22-28-1048 | A-42228-0284 | 22 | 22-28-1228 | A-42228-0302 |
| 5 | 22-28-1058 | A-42228-0285 | 23 | 22-28-1238 | A-42228-0303 |
| 6 | 22-28-1068 | A-42228-0286 | 24 | 22-28-1248 | A-42228-0304 |
| 7 | 22-28-1078 | A-42228-0287 | 25 | 22-28-1258 | A-42228-0305 |
| 8 | 22-28-1088 | A-42228-0288 | 26 | 22-28-1268 | A-42228-0306 |
| 9 | 22-28-1098 | A-42228-0289 | 27 | 22-28-1278 | A-42228-0307 |
| 10 | 22-28-1108 | A-42228-0290 | 28 | 22-28-1288 | A-42228-0308 |
| 11 | 22-28-1118 | A-42228-0291 | 29 | 22-28-1298 | A-42228-0309 |
| 12 | 22-28-1128 | A-42228-0292 | 30 | 22-28-1308 | A-42228-0310 |
| 13 | 22-28-1138 | A-42228-0293 | 31 | 22-28-1318 | A-42228-0311 |
| 14 | 22-28-1148 | A-42228-0294 | 32 | 22-28-1328 | A-42228-0312 |
| 15 | 22-28-1158 | A-42228-0295 | 33 | 22-28-1338 | A-42228-0313 |
| 16 | 22-28-1168 | A-42228-0296 | 34 | 22-28-1348 | A-42228-0314 |
| 17 | 22-28-1178 | A-42228-0297 | 35 | 22-28-1358 | A-42228-0315 |
| 18 | 22-28-1188 | A-42228-0298 | 36 | 22-28-1368 | A-42228-0316 |
| 19 | 22-28-1198 | A-42228-0299 | | | |

| A-42228-0318/0351 | | | | | |
|--------------------|-----------------|-------------------------|------|-----------------|--------------|
| HEADER NUMBER: | | 41411 | | | |
| PIN NUMBER: | | 154 | | | |
| PIN LENGTH: L | | .720/18.29 | | | |
| MATING LENGTH: M | | .295/7.49 | | | |
| GOLD POINT: G | | N/A | | | |
| PC TAIL LENGTH: P | | .135/3.43 | | | |
| TIN: T | | OVERALL | | | |
| DIMENSION Y | | .022/0.56 | | | |
| CKTS: | | 3-36 | | | |
| KINKS: | | YES SMES-42003 | | | |
| REMOVED BACKWALLS: | | YES | | | |
| VOIDED CKTS: | | NONE | | | |
| PACKAGING: | | BULK, PER PK-40873-0056 | | | |
| CKTS | MATERIAL NUMBER | ENG NUMBER | CKTS | MATERIAL NUMBER | ENG NUMBER |
| 2 | | | 20 | 22-28-1209 | A-42228-0335 |
| 3 | 22-28-1039 | A-42228-0318 | 21 | 22-28-1219 | A-42228-0336 |
| 4 | 22-28-1049 | A-42228-0319 | 22 | 22-28-1229 | A-42228-0337 |
| 5 | 22-28-1059 | A-42228-0320 | 23 | 22-28-1239 | A-42228-0338 |
| 6 | 22-28-1069 | A-42228-0321 | 24 | 22-28-1249 | A-42228-0339 |
| 7 | 22-28-1079 | A-42228-0322 | 25 | 22-28-1259 | A-42228-0340 |
| 8 | 22-28-1089 | A-42228-0323 | 26 | 22-28-1269 | A-42228-0341 |
| 9 | 22-28-1099 | A-42228-0324 | 27 | 22-28-1279 | A-42228-0342 |
| 10 | 22-28-1109 | A-42228-0325 | 28 | 22-28-1289 | A-42228-0343 |
| 11 | 22-28-1119 | A-42228-0326 | 29 | 22-28-1299 | A-42228-0344 |
| 12 | 22-28-1129 | A-42228-0327 | 30 | 22-28-1309 | A-42228-0345 |
| 13 | 22-28-1139 | A-42228-0328 | 31 | 22-28-1319 | A-42228-0346 |
| 14 | 22-28-1149 | A-42228-0329 | 32 | 22-28-1329 | A-42228-0347 |
| 15 | 22-28-1159 | A-42228-0330 | 33 | 22-28-1339 | A-42228-0348 |
| 16 | 22-28-1169 | A-42228-0331 | 34 | 22-28-1349 | A-42228-0349 |
| 17 | 22-28-1179 | A-42228-0332 | 35 | 22-28-1359 | A-42228-0350 |
| 18 | 22-28-1189 | A-42228-0333 | 36 | 22-28-1369 | A-42228-0351 |
| 19 | 22-28-1199 | A-42228-0334 | | | |

| <p>SYMBOLS</p> <p>THIS DRAWING CONTAINS INFORMATION THAT IS PROPRIETARY TO MOLEX ELECTRONIC TECHNOLOGIES, LLC AND SHOULD NOT BE USED WITHOUT WRITTEN PERMISSION</p> <p>CURRENT REV DESC: NEW PIN ADDED</p> | | | | | | <p>molex</p> <p>.100 FRICTION LOCK BREAKAWAY HEADER ASSY</p> <p>PRODUCT CUSTOMER DRAWING</p> | | | | | | | | | | | | | | | | | | | | | | | | | |
|--|--------|---|----|-------------------------------|----------|---|---|----------------------------|---|---|----------|---------------------------------------|---|-----------------------------------|--------|---|----------|---|---|--|--|---|--|---|--|----------------------------|--|----------------------------|--|---------------------------|--|
| <p>GENERAL TOLERANCES (UNLESS SPECIFIED)</p> <table border="1"> <thead> <tr> <th></th> <th>MM</th> <th>INCH</th> </tr> </thead> <tbody> <tr> <td>4 PLACES</td> <td>±</td> <td>±</td> </tr> <tr> <td>3 PLACES</td> <td>±</td> <td>± 0.01</td> </tr> <tr> <td>2 PLACES</td> <td>± 0.25</td> <td>±</td> </tr> <tr> <td>1 PLACE</td> <td>± 0.36</td> <td>±</td> </tr> <tr> <td>0 PLACES</td> <td>±</td> <td>±</td> </tr> </tbody> </table> | | | MM | INCH | 4 PLACES | ± | ± | 3 PLACES | ± | ± 0.01 | 2 PLACES | ± 0.25 | ± | 1 PLACE | ± 0.36 | ± | 0 PLACES | ± | ± | <p>EC NO: 605734</p> <p>DRWN: SS06 2018/09/21</p> <p>CHK'D: ISHWARG 2018/10/11</p> <p>APPR: ISHWARG 2018/10/11</p> | | <p>INITIAL REVISION:</p> <p>DRWN: JSCHAFFER 2004/03/18</p> <p>APPR: MARGULIS 2004/03/18</p> | | <p>DOCUMENT NUMBER</p> <p>SD-42228-002</p> | | <p>DOC TYPE</p> <p>PSD</p> | | <p>DOC PART</p> <p>001</p> | | <p>REVISION</p> <p>L7</p> | |
| | MM | INCH | | | | | | | | | | | | | | | | | | | | | | | | | | | | | |
| 4 PLACES | ± | ± | | | | | | | | | | | | | | | | | | | | | | | | | | | | | |
| 3 PLACES | ± | ± 0.01 | | | | | | | | | | | | | | | | | | | | | | | | | | | | | |
| 2 PLACES | ± 0.25 | ± | | | | | | | | | | | | | | | | | | | | | | | | | | | | | |
| 1 PLACE | ± 0.36 | ± | | | | | | | | | | | | | | | | | | | | | | | | | | | | | |
| 0 PLACES | ± | ± | | | | | | | | | | | | | | | | | | | | | | | | | | | | | |
| <p>ANGULAR TOL ± 0.5°</p> | | <p>DRAFT WHERE APPLICABLE MUST REMAIN WITHIN DIMENSIONS</p> | | <p>THIRD ANGLE PROJECTION</p> | | <p>DRAWING</p> <p>B-SIZE</p> | | <p>SERIES</p> <p>42228</p> | | <p>MATERIAL NUMBER</p> <p>SEE CHART</p> | | <p>CUSTOMER</p> <p>GENERAL MARKET</p> | | <p>SHEET NUMBER</p> <p>3 OF 6</p> | | | | | | | | | | | | | | | | | |
| <p>DOCUMENT STATUS</p> <p>P1</p> | | <p>RELEASE DATE</p> <p>2018/10/11 05:21:29</p> | | | | | | | | | | | | | | | | | | | | | | | | | | | | | |

| A-42228-0422/0454 | | | | | |
|--------------------|-----------------|-------------------------|------|-----------------|--------------|
| F HEADER NUMBER: | | 41411 | | | |
| PIN NUMBER: | | 228 | | | |
| PIN LENGTH: L | | .705/17.91 | | | |
| MATING LENGTH: M | | .295/7.49 | | | |
| GOLD POINT: G | | .140/3.56 | | | |
| PC TAIL LENGTH: P | | .120/3.05 | | | |
| TIN: T | | .135/3.43 | | | |
| DIMENSION Y | | .022/0.56 | | | |
| E CKTS: | | 3-36 | | | |
| KINKS: | | NO | | | |
| REMOVED BACKWALLS: | | YES | | | |
| VOIDED CKTS: | | 3 | | | |
| PACKAGING: | | BULK, PER PK-40873-0056 | | | |
| CKTS | MATERIAL NUMBER | ENG NUMBER | CKTS | MATERIAL NUMBER | ENG NUMBER |
| 2 | | | 20 | | A-42228-0439 |
| 3 | | A-42228-0422 | 21 | | A-42228-0440 |
| 4 | 22-29-1041 | A-42228-0423 | 22 | | A-42228-0441 |
| 5 | | A-42228-0424 | 23 | | A-42228-0442 |
| 6 | | A-42228-0425 | 24 | | A-42228-0443 |
| 7 | | A-42228-0426 | 25 | | A-42228-0444 |
| 8 | | A-42228-0427 | 26 | | A-42228-0445 |
| 9 | | A-42228-0428 | 27 | | A-42228-0446 |
| 10 | | A-42228-0429 | 28 | | A-42228-0447 |
| 11 | | A-42228-0430 | 29 | | A-42228-0448 |
| 12 | | A-42228-0431 | 30 | | A-42228-0449 |
| 13 | | A-42228-0432 | 31 | | A-42228-0450 |
| 14 | | A-42228-0433 | 32 | | A-42228-0451 |
| 15 | | A-42228-0434 | 33 | | A-42228-0452 |
| 16 | | A-42228-0435 | 34 | | A-42228-0453 |
| 17 | | A-42228-0436 | 35 | | A-42228-0454 |
| 18 | | A-42228-0437 | 36 | | A-42228-0455 |
| 19 | | A-42228-0438 | | | |

| A-42228-0456/0490 | | | | | |
|--------------------|-----------------|-------------------------|------|-----------------|--------------|
| F HEADER NUMBER: | | 41411 | | | |
| PIN NUMBER: | | 208 | | | |
| PIN LENGTH: L | | .720/18.29 | | | |
| MATING LENGTH: M | | .295/7.49 | | | |
| GOLD POINT: G | | .140/3.56 | | | |
| PC TAIL LENGTH: P | | .135/3.43 | | | |
| TIN: T | | .135/3.43 | | | |
| DIMENSION Y | | .022/0.56 | | | |
| E CKTS: | | 2-36 | | | |
| KINKS: | | YES SMES-42003 | | | |
| REMOVED BACKWALLS: | | NO | | | |
| VOIDED CKTS: | | 2 | | | |
| PACKAGING: | | BULK, PER PK-40873-0056 | | | |
| CKTS | MATERIAL NUMBER | ENG NUMBER | CKTS | MATERIAL NUMBER | ENG NUMBER |
| 2 | | A-42228-0456 | 20 | 22-29-1204 | A-42228-0474 |
| 3 | 22-29-1034 | A-42228-0457 | 21 | 22-29-1214 | A-42228-0475 |
| 4 | 22-29-1044 | A-42228-0458 | 22 | 22-29-1224 | A-42228-0476 |
| 5 | 22-29-1054 | A-42228-0459 | 23 | 22-29-1234 | A-42228-0477 |
| 6 | 22-29-1064 | A-42228-0460 | 24 | 22-29-1244 | A-42228-0478 |
| 7 | 22-29-1074 | A-42228-0461 | 25 | 22-29-1254 | A-42228-0479 |
| 8 | 22-29-1084 | A-42228-0462 | 26 | 22-29-1264 | A-42228-0480 |
| 9 | 22-29-1094 | A-42228-0463 | 27 | 22-29-1274 | A-42228-0481 |
| 10 | 22-29-1104 | A-42228-0464 | 28 | 22-29-1284 | A-42228-0482 |
| 11 | 22-29-1114 | A-42228-0465 | 29 | 22-29-1294 | A-42228-0483 |
| 12 | 22-29-1124 | A-42228-0466 | 30 | 22-29-1304 | A-42228-0484 |
| 13 | 22-29-1134 | A-42228-0467 | 31 | 22-29-1314 | A-42228-0485 |
| 14 | 22-29-1144 | A-42228-0468 | 32 | 22-29-1324 | A-42228-0486 |
| 15 | 22-29-1154 | A-42228-0469 | 33 | 22-29-1334 | A-42228-0487 |
| 16 | 22-29-1164 | A-42228-0470 | 34 | 22-29-1344 | A-42228-0488 |
| 17 | 22-29-1174 | A-42228-0471 | 35 | 22-29-1354 | A-42228-0489 |
| 18 | 22-29-1184 | A-42228-0472 | 36 | 22-29-1364 | A-42228-0490 |
| 19 | 22-29-1194 | A-42228-0473 | | | |

| | | | | | | | | | | | | | | | | | | | | | | | | | | | | | | | | | | | | | | | | | | | | | | | | | | | | | | | | | | | | | | | | | | | | | | | | | | | | | | | | | | | | | | | | | | | | | |
|---|---|------------------------|---|----------------------------|---------------------------------------|---------|---|--|--|--|--|---|-----------------|-------|--------------------------------|--|--|-------|-----|---|--|--|---------------------------------------|--|----|------|---------------|--|------------|--|--|-----------------------|--|------------|--|--------|---------------------------|--|------------|------|--|--------------------------|--|-----------|------|--|-------------------|--|------------|--|--|----------------------------|--|---------------|------|--|---------------------------|--|--|------------------------|---------|--------|-----------------|--|--|--|--------|-------|--------------|--|--|--|--|--|----------------------------|--|--|--|--|--|------------|--|--|--|--|--|---------------------------------------|--|--|--|--|--|---------------------------------|
| B | | | | | | | | | | | | | | | | | | | | | | | | | | | | | | | | | | | | | | | | | | | | | | | | | | | | | | | | | | | | | | | | | | | | | | | | | | | | | | | | | | | | | | | | | | | | | |
| A | | | | | | | | | | | | | | | | | | | | | | | | | | | | | | | | | | | | | | | | | | | | | | | | | | | | | | | | | | | | | | | | | | | | | | | | | | | | | | | | | | | | | | | | | | | | | |
| <table border="1"> <tr> <td>SYMBOLS</td> <td colspan="5">THIS DRAWING CONTAINS INFORMATION THAT IS PROPRIETARY TO MOLEX ELECTRONIC TECHNOLOGIES, LLC AND SHOULD NOT BE USED WITHOUT WRITTEN PERMISSION</td> </tr> <tr> <td rowspan="2"> = 0 = 0 = 0 = 0 = 0 = 0 = 0 = 0 = 0 </td> <td>DIMENSION UNITS</td> <td>SCALE</td> <td colspan="3">CURRENT REV DESC: NEW PN ADDED</td> </tr> <tr> <td>in/mm</td> <td>1:1</td> <td colspan="3" rowspan="2"> molex .100 FRICTION LOCK BREAKAWAY HEADER ASSY PRODUCT CUSTOMER DRAWING </td> </tr> <tr> <td colspan="2">GENERAL TOLERANCES (UNLESS SPECIFIED)</td> <td>MM</td> <td>INCH</td> <td>EC NO: 605734</td> </tr> <tr> <td></td> <td>4 PLACES ±</td> <td></td> <td></td> <td>DRWN: SS06 2018/09/21</td> </tr> <tr> <td></td> <td>3 PLACES ±</td> <td></td> <td>± 0.01</td> <td>CHK'D: ISHWARG 2018/10/11</td> </tr> <tr> <td></td> <td>2 PLACES ±</td> <td>0.25</td> <td></td> <td>APPR: ISHWARG 2018/10/11</td> </tr> <tr> <td></td> <td>1 PLACE ±</td> <td>0.36</td> <td></td> <td>INITIAL REVISION:</td> </tr> <tr> <td></td> <td>0 PLACES ±</td> <td></td> <td></td> <td>DRWN: JSCHAFFER 2004/03/18</td> </tr> <tr> <td></td> <td>ANGULAR TOL ±</td> <td>0.5°</td> <td></td> <td>APPR: MARGULIS 2004/03/18</td> </tr> <tr> <td></td> <td>DRAFT WHERE APPLICABLE MUST REMAIN WITHIN DIMENSIONS</td> <td>THIRD ANGLE PROJECTION</td> <td>DRAWING</td> <td>SERIES</td> <td>DOCUMENT NUMBER</td> </tr> <tr> <td></td> <td></td> <td></td> <td>B-SIZE</td> <td>42228</td> <td>SD-42228-002</td> </tr> <tr> <td></td> <td></td> <td></td> <td></td> <td></td> <td>DOC TYPE DOC PART REVISION</td> </tr> <tr> <td></td> <td></td> <td></td> <td></td> <td></td> <td>PSD 001 L7</td> </tr> <tr> <td></td> <td></td> <td></td> <td></td> <td></td> <td>MATERIAL NUMBER CUSTOMER SHEET NUMBER</td> </tr> <tr> <td></td> <td></td> <td></td> <td></td> <td></td> <td>SEE CHART GENERAL MARKET 4 OF 6</td> </tr> </table> | | | | | | SYMBOLS | THIS DRAWING CONTAINS INFORMATION THAT IS PROPRIETARY TO MOLEX ELECTRONIC TECHNOLOGIES, LLC AND SHOULD NOT BE USED WITHOUT WRITTEN PERMISSION | | | | | = 0 = 0 = 0 = 0 = 0 = 0 = 0 = 0 = 0 | DIMENSION UNITS | SCALE | CURRENT REV DESC: NEW PN ADDED | | | in/mm | 1:1 | molex .100 FRICTION LOCK BREAKAWAY HEADER ASSY PRODUCT CUSTOMER DRAWING | | | GENERAL TOLERANCES (UNLESS SPECIFIED) | | MM | INCH | EC NO: 605734 | | 4 PLACES ± | | | DRWN: SS06 2018/09/21 | | 3 PLACES ± | | ± 0.01 | CHK'D: ISHWARG 2018/10/11 | | 2 PLACES ± | 0.25 | | APPR: ISHWARG 2018/10/11 | | 1 PLACE ± | 0.36 | | INITIAL REVISION: | | 0 PLACES ± | | | DRWN: JSCHAFFER 2004/03/18 | | ANGULAR TOL ± | 0.5° | | APPR: MARGULIS 2004/03/18 | | DRAFT WHERE APPLICABLE MUST REMAIN WITHIN DIMENSIONS | THIRD ANGLE PROJECTION | DRAWING | SERIES | DOCUMENT NUMBER | | | | B-SIZE | 42228 | SD-42228-002 | | | | | | DOC TYPE DOC PART REVISION | | | | | | PSD 001 L7 | | | | | | MATERIAL NUMBER CUSTOMER SHEET NUMBER | | | | | | SEE CHART GENERAL MARKET 4 OF 6 |
| SYMBOLS | THIS DRAWING CONTAINS INFORMATION THAT IS PROPRIETARY TO MOLEX ELECTRONIC TECHNOLOGIES, LLC AND SHOULD NOT BE USED WITHOUT WRITTEN PERMISSION | | | | | | | | | | | | | | | | | | | | | | | | | | | | | | | | | | | | | | | | | | | | | | | | | | | | | | | | | | | | | | | | | | | | | | | | | | | | | | | | | | | | | | | | | | | | |
| = 0 = 0 = 0 = 0 = 0 = 0 = 0 = 0 = 0 | DIMENSION UNITS | SCALE | CURRENT REV DESC: NEW PN ADDED | | | | | | | | | | | | | | | | | | | | | | | | | | | | | | | | | | | | | | | | | | | | | | | | | | | | | | | | | | | | | | | | | | | | | | | | | | | | | | | | | | | | | | | | | | |
| | in/mm | 1:1 | molex .100 FRICTION LOCK BREAKAWAY HEADER ASSY PRODUCT CUSTOMER DRAWING | | | | | | | | | | | | | | | | | | | | | | | | | | | | | | | | | | | | | | | | | | | | | | | | | | | | | | | | | | | | | | | | | | | | | | | | | | | | | | | | | | | | | | | | | | |
| GENERAL TOLERANCES (UNLESS SPECIFIED) | | MM | | | | INCH | EC NO: 605734 | | | | | | | | | | | | | | | | | | | | | | | | | | | | | | | | | | | | | | | | | | | | | | | | | | | | | | | | | | | | | | | | | | | | | | | | | | | | | | | | | | | | | | |
| | 4 PLACES ± | | | DRWN: SS06 2018/09/21 | | | | | | | | | | | | | | | | | | | | | | | | | | | | | | | | | | | | | | | | | | | | | | | | | | | | | | | | | | | | | | | | | | | | | | | | | | | | | | | | | | | | | | | | | |
| | 3 PLACES ± | | ± 0.01 | CHK'D: ISHWARG 2018/10/11 | | | | | | | | | | | | | | | | | | | | | | | | | | | | | | | | | | | | | | | | | | | | | | | | | | | | | | | | | | | | | | | | | | | | | | | | | | | | | | | | | | | | | | | | | |
| | 2 PLACES ± | 0.25 | | APPR: ISHWARG 2018/10/11 | | | | | | | | | | | | | | | | | | | | | | | | | | | | | | | | | | | | | | | | | | | | | | | | | | | | | | | | | | | | | | | | | | | | | | | | | | | | | | | | | | | | | | | | | |
| | 1 PLACE ± | 0.36 | | INITIAL REVISION: | | | | | | | | | | | | | | | | | | | | | | | | | | | | | | | | | | | | | | | | | | | | | | | | | | | | | | | | | | | | | | | | | | | | | | | | | | | | | | | | | | | | | | | | | |
| | 0 PLACES ± | | | DRWN: JSCHAFFER 2004/03/18 | | | | | | | | | | | | | | | | | | | | | | | | | | | | | | | | | | | | | | | | | | | | | | | | | | | | | | | | | | | | | | | | | | | | | | | | | | | | | | | | | | | | | | | | | |
| | ANGULAR TOL ± | 0.5° | | APPR: MARGULIS 2004/03/18 | | | | | | | | | | | | | | | | | | | | | | | | | | | | | | | | | | | | | | | | | | | | | | | | | | | | | | | | | | | | | | | | | | | | | | | | | | | | | | | | | | | | | | | | | |
| | DRAFT WHERE APPLICABLE MUST REMAIN WITHIN DIMENSIONS | THIRD ANGLE PROJECTION | DRAWING | SERIES | DOCUMENT NUMBER | | | | | | | | | | | | | | | | | | | | | | | | | | | | | | | | | | | | | | | | | | | | | | | | | | | | | | | | | | | | | | | | | | | | | | | | | | | | | | | | | | | | | | | | |
| | | | B-SIZE | 42228 | SD-42228-002 | | | | | | | | | | | | | | | | | | | | | | | | | | | | | | | | | | | | | | | | | | | | | | | | | | | | | | | | | | | | | | | | | | | | | | | | | | | | | | | | | | | | | | | | |
| | | | | | DOC TYPE DOC PART REVISION | | | | | | | | | | | | | | | | | | | | | | | | | | | | | | | | | | | | | | | | | | | | | | | | | | | | | | | | | | | | | | | | | | | | | | | | | | | | | | | | | | | | | | | | |
| | | | | | PSD 001 L7 | | | | | | | | | | | | | | | | | | | | | | | | | | | | | | | | | | | | | | | | | | | | | | | | | | | | | | | | | | | | | | | | | | | | | | | | | | | | | | | | | | | | | | | | |
| | | | | | MATERIAL NUMBER CUSTOMER SHEET NUMBER | | | | | | | | | | | | | | | | | | | | | | | | | | | | | | | | | | | | | | | | | | | | | | | | | | | | | | | | | | | | | | | | | | | | | | | | | | | | | | | | | | | | | | | | |
| | | | | | SEE CHART GENERAL MARKET 4 OF 6 | | | | | | | | | | | | | | | | | | | | | | | | | | | | | | | | | | | | | | | | | | | | | | | | | | | | | | | | | | | | | | | | | | | | | | | | | | | | | | | | | | | | | | | | |
| DOCUMENT STATUS | P1 | RELEASE DATE | 2018/10/11 | 05:21:29 | | | | | | | | | | | | | | | | | | | | | | | | | | | | | | | | | | | | | | | | | | | | | | | | | | | | | | | | | | | | | | | | | | | | | | | | | | | | | | | | | | | | | | | | | |

| | | | | | |
|--------------------|-----------------|-------------------------|------|-----------------|--------------|
| A-42228-0538/0566 | | | | | |
| F HEADER NUMBER: | | 41411 | | | |
| PIN NUMBER: | | 154 | | | |
| PIN LENGTH: L | | .720/18.29 | | | |
| MATING LENGTH: M | | .295/7.49 | | | |
| GOLD POINT: G | | N/A | | | |
| PC TAIL LENGTH: P | | .135/3.43 | | | |
| TIN: T | | OVERALL | | | |
| E DIMENSION Y | | .022/0.56 | | | |
| CKTS: | | 8-36 | | | |
| KINKS: | | YES SMES-42003 | | | |
| REMOVED BACKWALLS: | | NO | | | |
| VOIDED CKTS: | | 8 | | | |
| PACKAGING: | | BULK, PER PK-40873-0056 | | | |
| CKTS | MATERIAL NUMBER | ENG NUMBER | CKTS | MATERIAL NUMBER | ENG NUMBER |
| 2 | | | 20 | 42228-0550 | A-42228-0550 |
| 3 | | | 21 | 42228-0551 | A-42228-0551 |
| 4 | | | 22 | 42228-0552 | A-42228-0552 |
| 5 | | | 23 | 42228-0553 | A-42228-0553 |
| 6 | | | 24 | 42228-0554 | A-42228-0554 |
| 7 | | | 25 | 42228-0555 | A-42228-0555 |
| 8 | 42228-0538 | A-42228-0538 | 26 | 42228-0556 | A-42228-0556 |
| 9 | 42228-0539 | A-42228-0539 | 27 | 42228-0557 | A-42228-0557 |
| 10 | 42228-0540 | A-42228-0540 | 28 | 42228-0558 | A-42228-0558 |
| 11 | 42228-0541 | A-42228-0541 | 29 | 42228-0559 | A-42228-0559 |
| 12 | 42228-0542 | A-42228-0542 | 30 | 42228-0560 | A-42228-0560 |
| 13 | 42228-0543 | A-42228-0543 | 31 | 42228-0561 | A-42228-0561 |
| 14 | 42228-0544 | A-42228-0544 | 32 | 42228-0562 | A-42228-0562 |
| 15 | 42228-0545 | A-42228-0545 | 33 | 42228-0563 | A-42228-0563 |
| 16 | 42228-0546 | A-42228-0546 | 34 | 42228-0564 | A-42228-0564 |
| 17 | 42228-0547 | A-42228-0547 | 35 | 42228-0565 | A-42228-0565 |
| 18 | 42228-0548 | A-42228-0548 | 36 | 42228-0566 | A-42228-0566 |
| 19 | 42228-0549 | A-42228-0549 | | | |

| | | | | | | | | | | | | | | | | | | | | |
|------------|---|---|--------|--------------------|---|--|--|------------------------|------------------------|---------|-------------------|--------|-----------------|-----------------|-----------------|----------|-----------------|--------------|--------------|--|
| SYMBOLS | THIS DRAWING CONTAINS INFORMATION THAT IS PROPRIETARY TO MOLEX ELECTRONIC TECHNOLOGIES, LLC AND SHOULD NOT BE USED WITHOUT WRITTEN PERMISSION | | | | | | | | | | | | | | | | | | | |
| | DIMENSION UNITS | | SCALE | | CURRENT REV DESC: NEW PN ADDED | | | | | | | | | | | | | | | |
| | in/mm | | 1:1 | | molex .100 FRICTION LOCK BREAKAWAY HEADER ASSY PRODUCT CUSTOMER DRAWING | | | | | | | | | | | | | | | |
| | GENERAL TOLERANCES (UNLESS SPECIFIED) | | | | | | | | | | EC NO: 605734 | | DRWN: SS06 | | 2018/09/21 | | | | | |
| | 4 PLACES ± | | ± | | | | | | | | CHK'D: ISHWARG | | 2018/10/11 | | APPR: ISHWARG | | 2018/10/11 | | | |
| | 3 PLACES ± | | ± 0.01 | | | | | | | | INITIAL REVISION: | | DRWN: JSCHAFFER | | 2004/03/18 | | DOCUMENT NUMBER | | | |
| | 2 PLACES ± | | ± 0.25 | | 1 PLACE ± | | ± 0.36 | | APPR: MARGULIS | | 2004/03/18 | | SD-42228-002 | | PSD | 001 | L7 | | | |
| | 0 PLACES ± | | ± | | ANGULAR TOL ± 0.5° | | DRAFT WHERE APPLICABLE MUST REMAIN WITHIN DIMENSIONS | | THIRD ANGLE PROJECTION | | DRAWING | | SERIES | | MATERIAL NUMBER | | CUSTOMER | | SHEET NUMBER | |
| | 4 PLACES ± | | ± | | ANGULAR TOL ± 0.5° | | DRAFT WHERE APPLICABLE MUST REMAIN WITHIN DIMENSIONS | | THIRD ANGLE PROJECTION | | DRAWING | | SERIES | | MATERIAL NUMBER | | CUSTOMER | | SHEET NUMBER | |
| | 4 PLACES ± | | ± | | ANGULAR TOL ± 0.5° | | DRAFT WHERE APPLICABLE MUST REMAIN WITHIN DIMENSIONS | | THIRD ANGLE PROJECTION | | DRAWING | | SERIES | | MATERIAL NUMBER | | CUSTOMER | | SHEET NUMBER | |
| 4 PLACES ± | | ± | | ANGULAR TOL ± 0.5° | | DRAFT WHERE APPLICABLE MUST REMAIN WITHIN DIMENSIONS | | THIRD ANGLE PROJECTION | | DRAWING | | SERIES | | MATERIAL NUMBER | | CUSTOMER | | SHEET NUMBER | | |