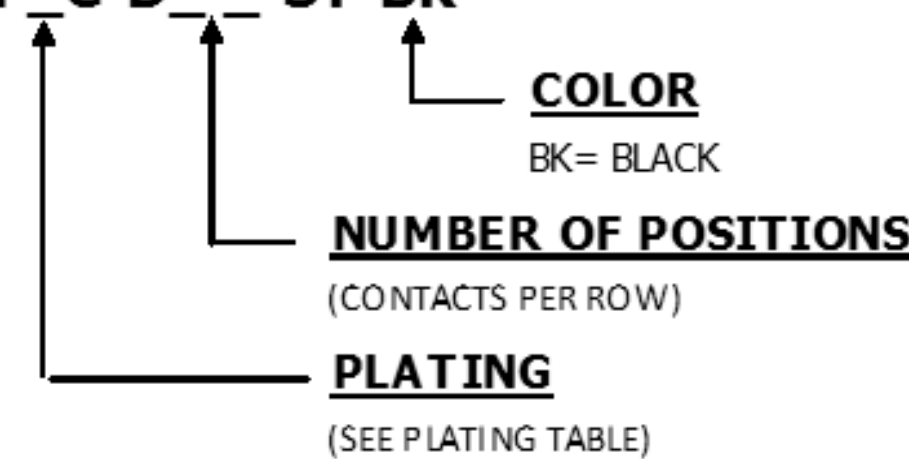


PART NUMBER CODING

SIP110-PP_C-D_-ST-BK



COLOR

BK= BLACK

NUMBER OF POSITIONS

(CONTACTS PER ROW)

PLATING

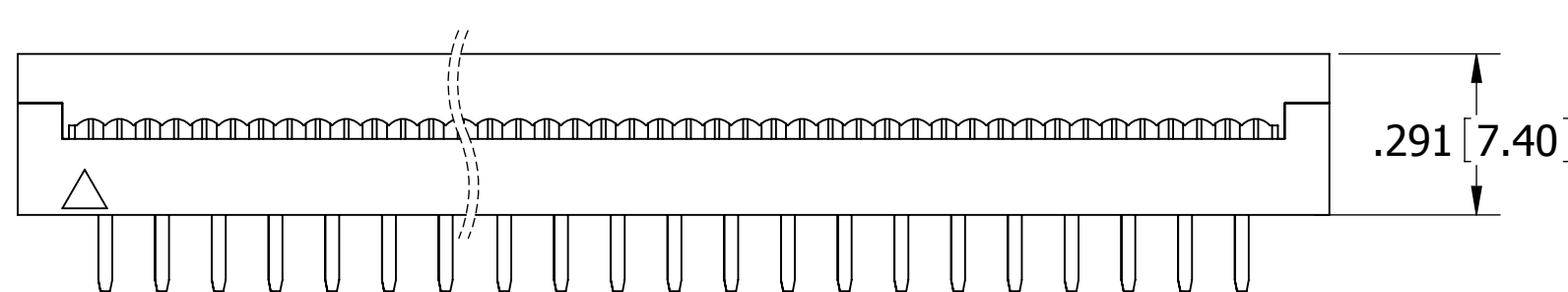
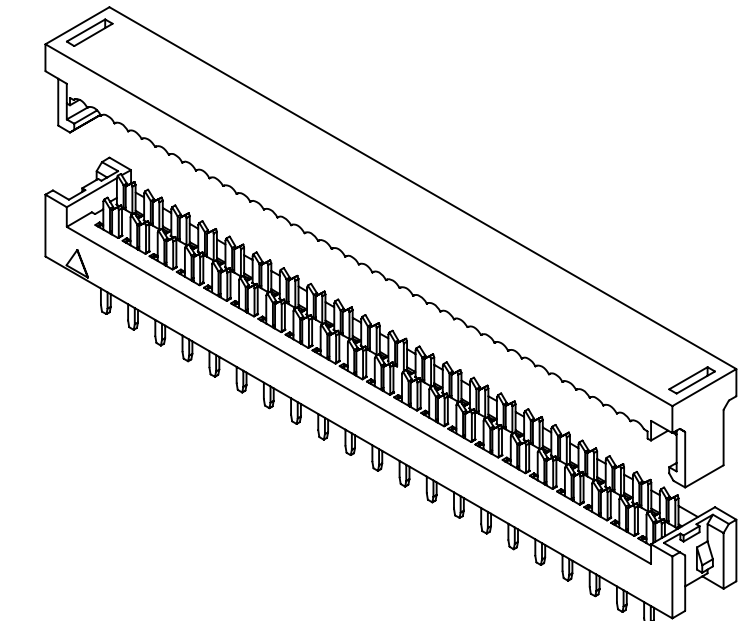
(SEE PLATING TABLE)

PLATING TABLE

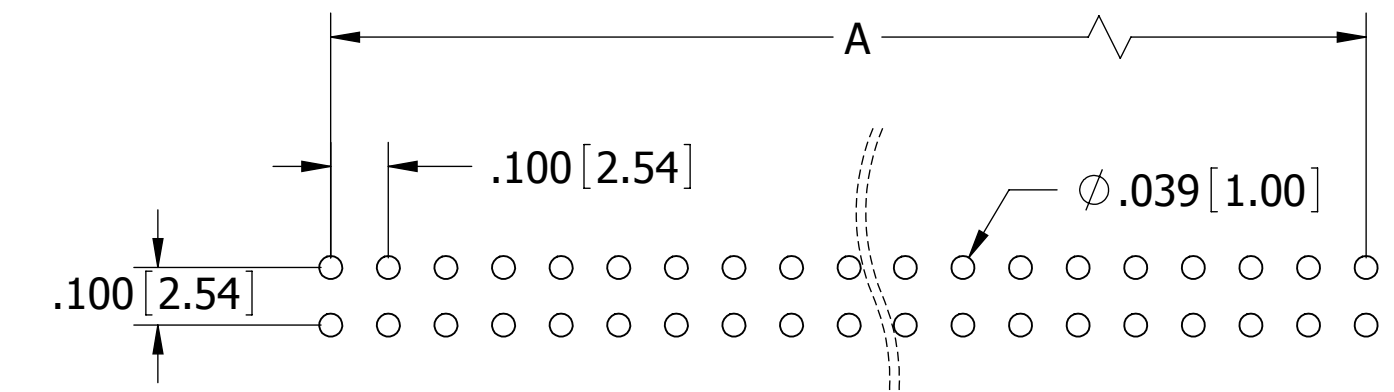
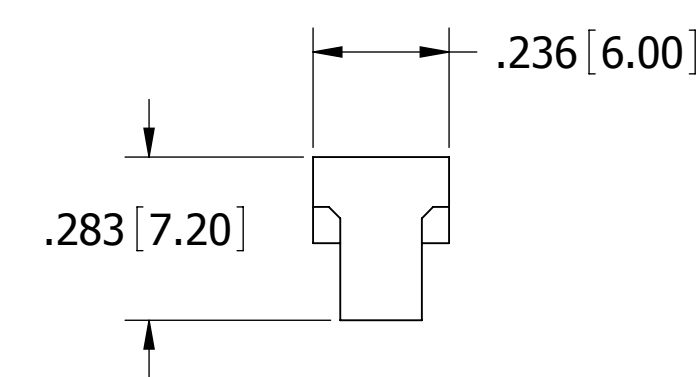
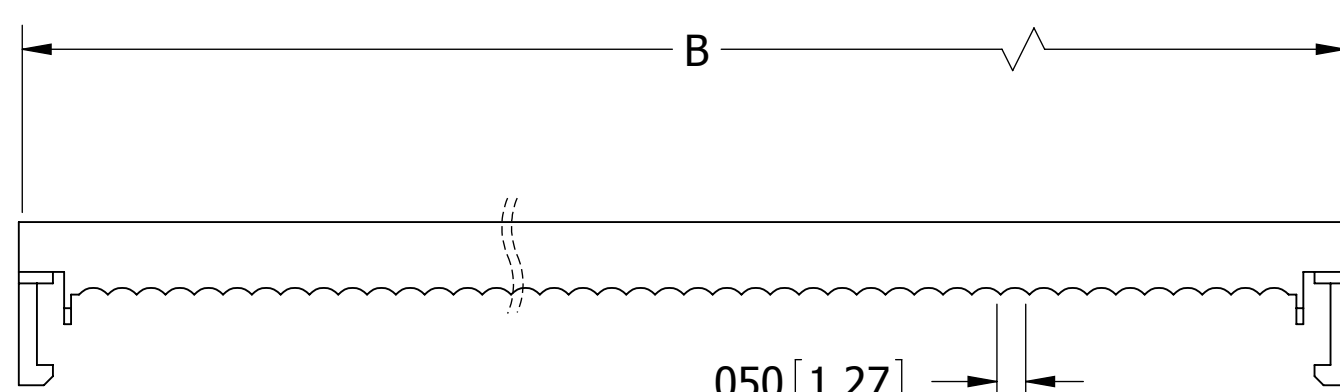
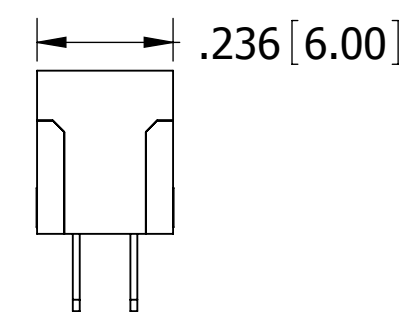
CONTACT SURFACE	TERMINATION
P = GOLD FLASH	GOLD FLASH
V = GOLD FLASH	NICKEL
K = .000015" GOLD	NICKEL
J = .000015" GOLD	GOLD FLASH
E = .000100" PURE TIN, MATTE	.000100" PURE TIN, MATTE

REVISIONS

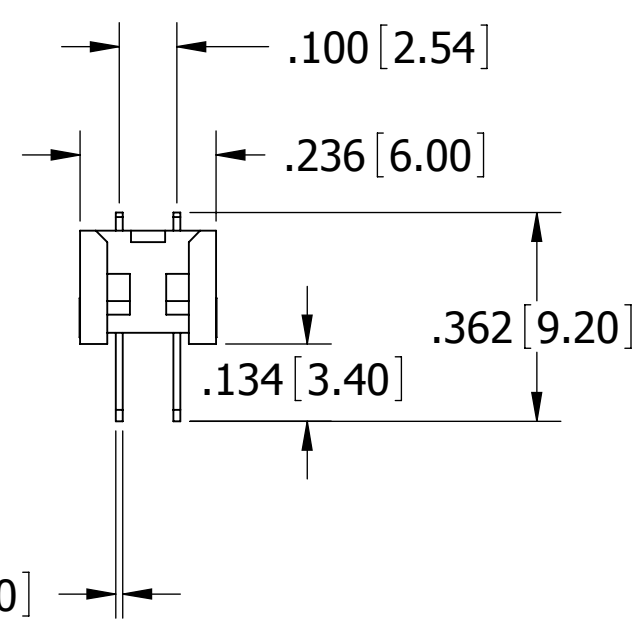
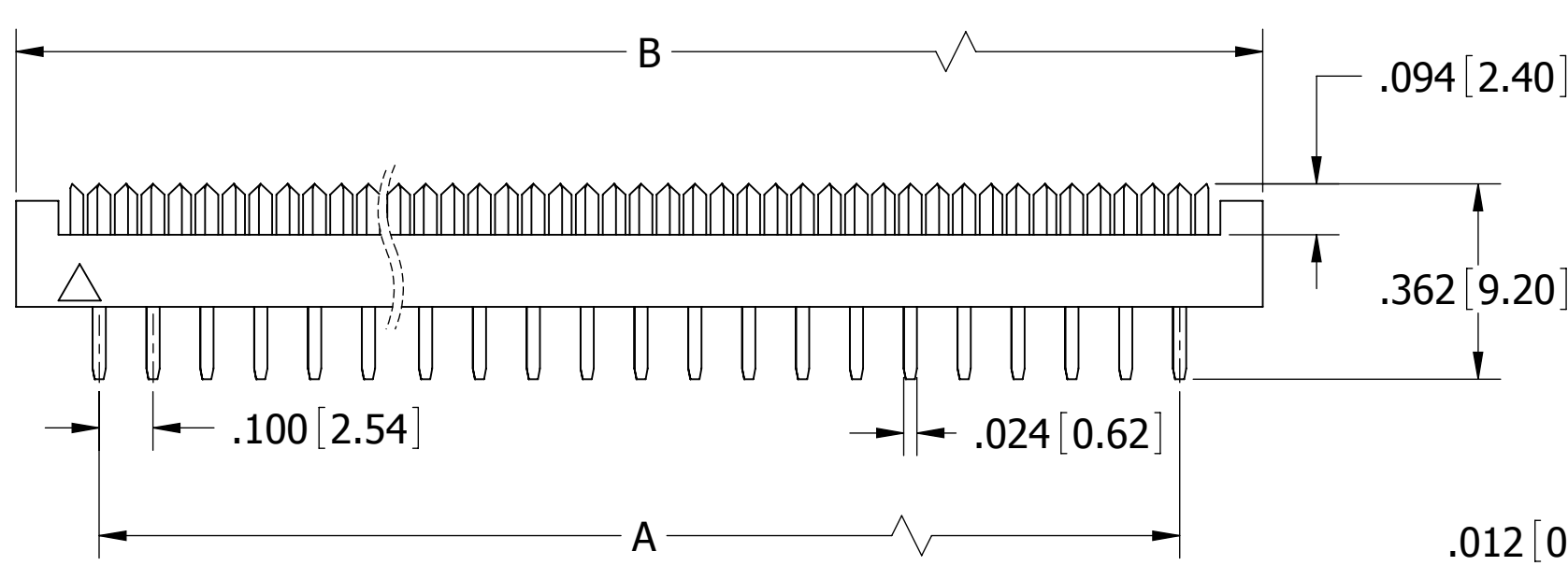
REV.	ECO. NO	DESCRIPTION	DATE	BY
A	1930	INITIAL RELEASE	3/17/2009	JH
B	2159	UPDATE NOTE 8 FLAT RIBBON CABLE SPEC.	07/05/2010	LH



ASSEMBLED FRONT VIEW



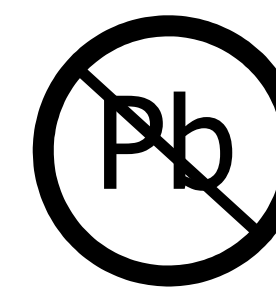
RECOMMENDED PCB HOLE LAYOUT



PART NUMBER	POSITIONS/ CONTACTS	A		B	
		INCH	MM	INCH	MM
SIP110-PP_C-D03-ST-BK	03/06	0.200	5.08	0.509	12.94
SIP110-PP_C-D04-ST-BK	04/08	0.300	7.62	0.609	15.48
SIP110-PP_C-D05-ST-BK	05/10	0.400	10.16	0.713	18.10
SIP110-PP_C-D06-ST-BK	06/12	0.500	12.70	0.807	20.51
SIP110-PP_C-D07-ST-BK	07/14	0.600	15.24	0.907	23.05
SIP110-PP_C-D08-ST-BK	08/16	0.700	17.78	1.009	25.64
SIP110-PP_C-D09-ST-BK	09/18	0.800	20.32	1.108	28.15
SIP110-PP_C-D10-ST-BK	10/20	0.900	22.86	1.212	30.78
SIP110-PP_C-D12-ST-BK	12/24	1.100	27.94	1.412	35.86
SIP110-PP_C-D13-ST-BK	13/26	1.200	30.48	1.512	38.40
SIP110-PP_C-D14-ST-BK	14/28	1.300	33.02	1.598	40.60
SIP110-PP_C-D15-ST-BK	15/30	1.400	35.56	1.713	43.50
SIP110-PP_C-D17-ST-BK	17/34	1.600	40.64	1.913	48.58
SIP110-PP_C-D20-ST-BK	20/40	1.900	48.26	2.213	56.20
SIP110-PP_C-D25-ST-BK	25/50	2.400	60.96	2.717	69.00
SIP110-PP_C-D30-ST-BK	30/60	2.900	73.66	3.219	81.75
SIP110-PP_C-D32-ST-BK	32/64	3.100	78.74	3.419	86.83

NOTES:

1. INSULATOR MATERIAL: PBT 30% GLASS FIBER.
2. CONTACT MATERIAL: PHOSPHOR BRONZE.
3. OPERATING TEMPERATURE: -40 °C TO +105 °C.
4. UL FLAMMABILITY RATING: 94V-0.
5. CURRENT RATING: 1 AMP PER CONTACT.
6. INSULATION RESISTANCE: 5,000M OHMS MIN.
7. DIELECTRIC WITHSTANDING: 1,000 VAC.
8. FOR .05"[1.27mm] PITCH FLAT RIBBON CABLE, 26 - 28 AWG WIRE RANGE.



RoHS COMPLIANT

UNLESS OTHERWISE SPECIFIED:
 DIMENSIONS ARE IN INCHES(MM)
 TOLERANCES:
 ANGULAR: ± 30°
 .XX = ± .01 [3]
 .XXX = ± .008 [20]
 .XXXX = ± .0040 [100]

INTERPRET DIMENSIONS AND GEOMETRIC TOLERANCING PER: ASME Y14.5M-2009

DATE	NAME
DRAWN 4/07/2009	JH

THE INFORMATION HEREIN CONTAINS PROPRIETARY INFORMATION OF SULLINS ELECTRONICS AND IS NOT TO BE REPRODUCED, USED OR DISCLOSED TO OTHERS FOR ANY PURPOSE EXCEPT AS SPECIFICALLY AUTHORIZED IN WRITING BY AN OFFICER OF SULLINS ELECTRONICS.

SULLINS
CONNECTOR SOLUTIONS

DESCRIPTION
IDC DIP PLUG, .100" CC/RS

PART NUMBER
SIP110-PP_C-D_-ST-BK

SIZE DWG. NO. REV
C 11229 B

SCALE: 2:1 SHEET 1 OF 1