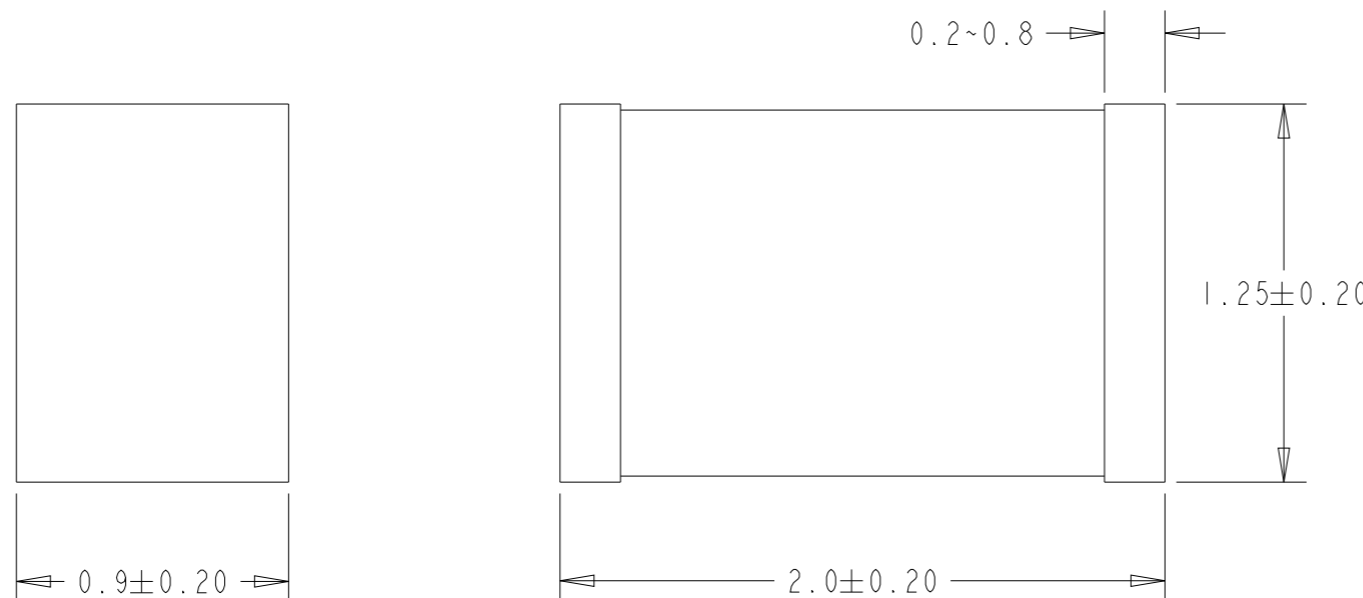


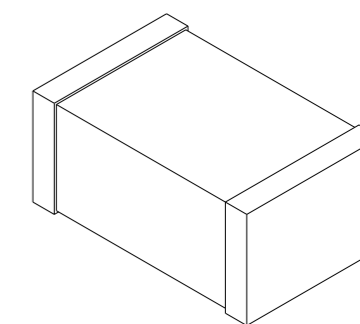
REVISIONS

P	LTR	DESCRIPTION	DATE	DWN	APVD
	A	INITIAL RELEASE	03MAR2022	DM	AP
	A1	NEW PRODUCT INTRODUCTION	05APR2022	DM	AP

FOR FURTHER INFORMATION SEE DATA SHEET OF BMC SERIES



Complete TIN	Product Number	Material Description
2176488-1	BMC2AY0600KN	BMC 0805 600R 25% K GEN C
2176488-2	BMC2AY1200KN	BMC 0805 1K2 25% K GEN C
2176488-3	BMC2AY2000KN	BMC 0805 2K0 25% K GEN C
2176488-4	BMC2AY2700KN	BMC 0805 2K7 25% K GEN C



SCALE 20:1

THIS DRAWING IS A CONTROLLED DOCUMENT.		DWN DHEERAJ M	03MAR2022		
		CHK ALLAN P	03MAR2022		
DIMENSIONS: mm		APVD ALLAN P	03MAR2022	NAME Multilayer Ferrite Beads Type BMC0805 KN configuration	
		PRODUCT SPEC	-	RESTRICTED TO	
TOLERANCES UNLESS OTHERWISE SPECIFIED:		APPLICATION SPEC	-	SIZE A3	CAGE CODE 00779
0 PLC ±-		WEIGHT	-	DRAWING NO C-2176488	SCALE 40:1
1 PLC ±0.5		CUSTOMER DRAWING		SHEET 1	OF 1
2 PLC ±0.13				REV A1	
3 PLC ±0.013					
4 PLC ±0.0001					
ANGLES ±-					
MATERIAL					
FINISH					
-					
-					