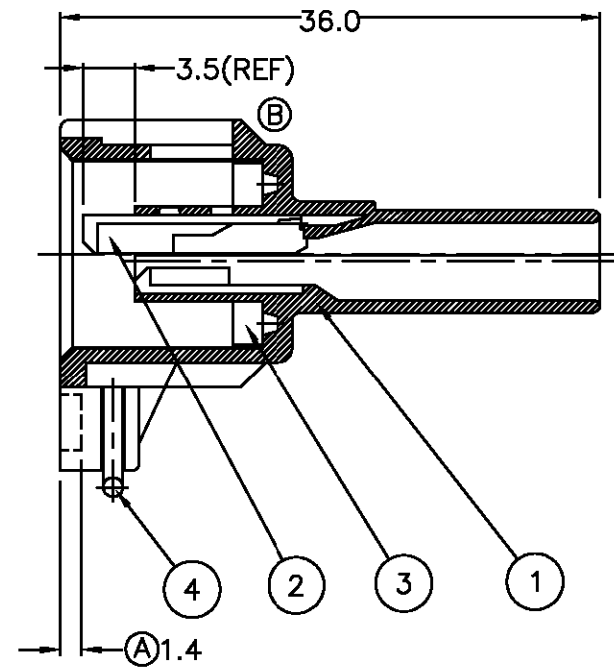
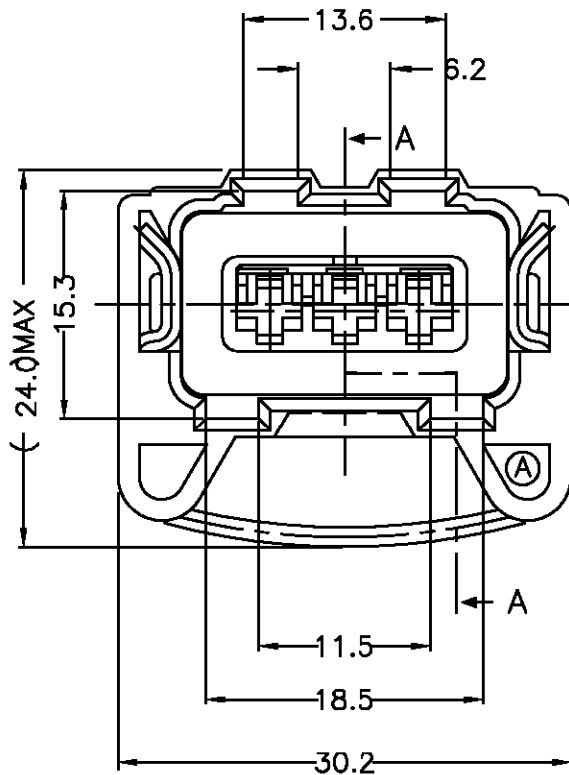
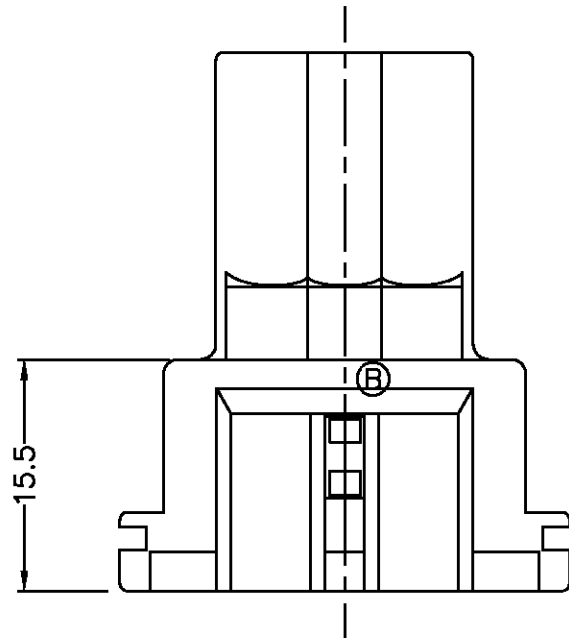


| P | LTR | DESCRIPTION | DATE | DWN | APVD |
|---|-----|-----------------------|---------------|-----|------|
| | 0 | RELEASED(RD97-202) | '97 30/SEP | YD | JK |
| | A | REVISED(RD98-063) | '98 16/MAR | YD | CS |
| | B | REVISED(FC00-0018-00) | '00 24/FEB | YD | CS |



SECTION A-A

* NOTES *

1. APPLICABLE CONTACT P/NO: 927770 / 927766
2. APPLICABLE WIRE SEAL P/NO: 828904 / 828905 / 368064

| NO | P/NO | DESCRIPTION | MATERIAL | COLOR | REQUIRED Q'TY |
|----|----------|-----------------------------|------------|------------|---------------|
| 4 | 85388-1 | SPRING | SUS 304 | | 1 |
| 3 | 85384-1 | SEAL RUBBER | SILICONE | ORANGE | 1 |
| 2 | 85207-1 | SPACER | PBT | YELLOW | 1 |
| 1 | 368216-1 | JPT 3P HSG FOR KNOCK SENSOR | PBT 30% GF | LIGHT GRAY | 1 |

P/NO 368215-1
 DESCRIPTION JPT 3P ASS'Y FOR KNOCK SENSOR

THIS DRAWING IS A CONTROLLED DOCUMENT FOR AMP INCORPORATED. IT IS SUBJECT TO CHANGE AND THE CONTROLLING ENGINEERING ORGANIZATION SHOULD BE CONTACTED FOR THE LATEST REVISION.

| | | | | | | | |
|----------------------|--|--|--|--------------|--|--|--|
| DIMENSIONS: MM | | TOLERANCES UNLESS OTHERWISE SPECIFIED: 0<XX<10 ± 0.2 10<XX<30 ± 0.25 30<XX<100 ± 0.3 ANGLES ± 3° | | DWN | | AMP AMP KOREA. kyungsan, korea | |
| 3rd ANGLE PROJECTION | | FINISH | | CHK | | | |
| MATERIAL | | APVD | | PRODUCT SPEC | | NAME | |
| | | APPLICATION SPEC | | 108-61000 | | JPT 3P ASS'Y FOR KNOCK SENSOR | |
| | | WEIGHT | | 114-18018 | | DRAWING NO | |
| | | 6.35g | | SIZE | | CAGE CODE | |
| | | | | A3 | | 00779 | |
| | | | | SCALE | | DRAWING NO | |
| | | | | 2/1 | | C= 368215 | |
| | | | | SHEET | | REV | |
| | | | | 1 | | B | |