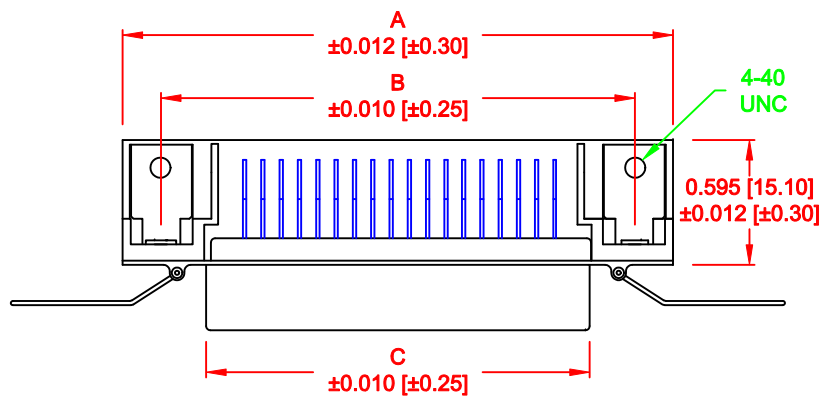


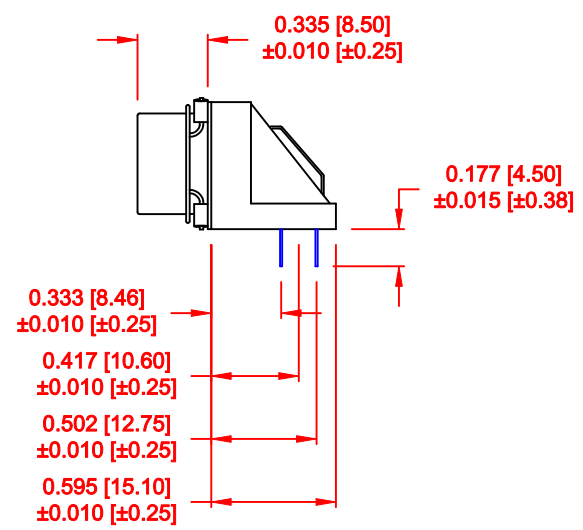
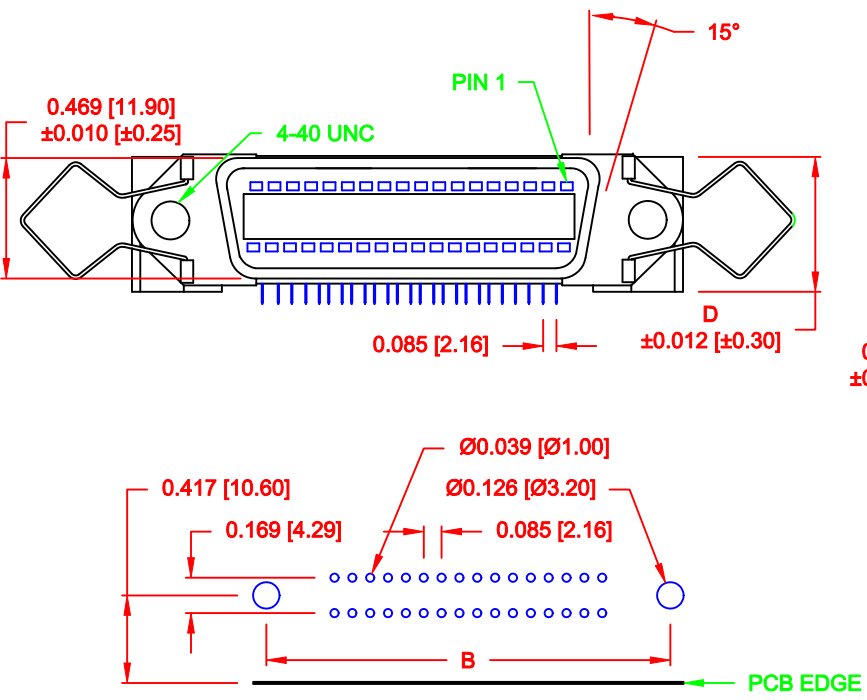
DESCRIPTION: .085" RIBBON FEMALE R/A BOARD MOUNT



No. OF PINS	DIMENSIONS			
	A	B	C	D
14	1.728	1.417	0.992	0.602
	43.90	36.00	25.20	15.30
24	2.154	1.843	1.417	0.600
	54.70	46.80	36.00	15.25
36	2.667	2.352	1.925	0.600
	67.75	59.74	48.90	15.25
50	3.272	2.947	2.524	0.600
	83.10	74.85	64.10	15.25

MATERIAL:
 COLD ROLLED STEEL,
 NICKEL PLATED
 PBT UL 94V-0 RATED
 PHOSPHOR BRONZE OR BRASS,
 GOLD FLASH

SPECIFICATION:
 CURRENT RATING: 1 AMP
 INSULATION RESISTANCE: 1,000 MegOhms min. AT 500VDC
 WITHSTANDING VOLTAGE: 1,000VAC FOR 1 MINUTE
 CONTACT RESISTANCE: 30 milliOhms max.
 OPERATING TEMPERATURE: -55° C TO 105° C
 INSERTION FORCE: 25 Lb. max.
 WITHDRAWAL FORCE: 2 Lb. min.





112-YYY-2 1 3 R 00 1

SERIES _____
 POSITIONS _____
 014 _____
 024 _____
 036 _____
 050 _____
 GENDER _____
 2 = FEMALE _____
 TERMINATION _____
 1 = DIP SOLDER _____
 SHELL PLATING _____
 3 = NICKEL PLATED _____
 RoHS COMPLIANT _____
 (HIGH TEMP. PROCESS) _____
 HARDWARE OPTIONS _____
 00 = 4-40 THREAD PCB _____
 PLATING OPTIONS _____
 1 = GOLD FLASH _____

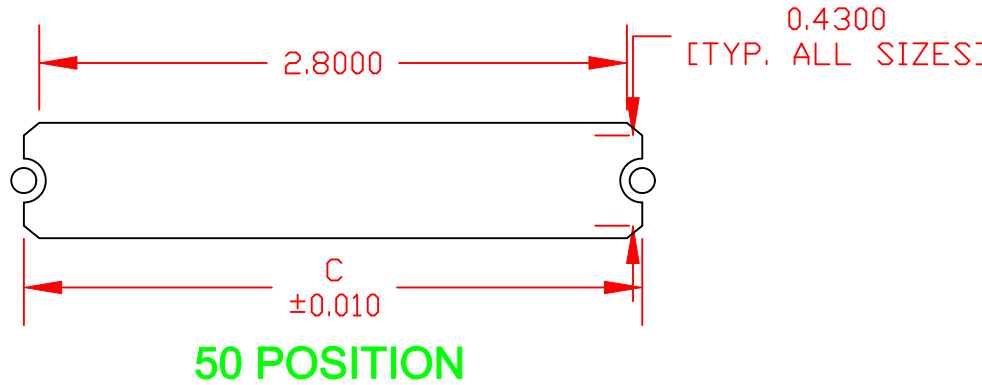
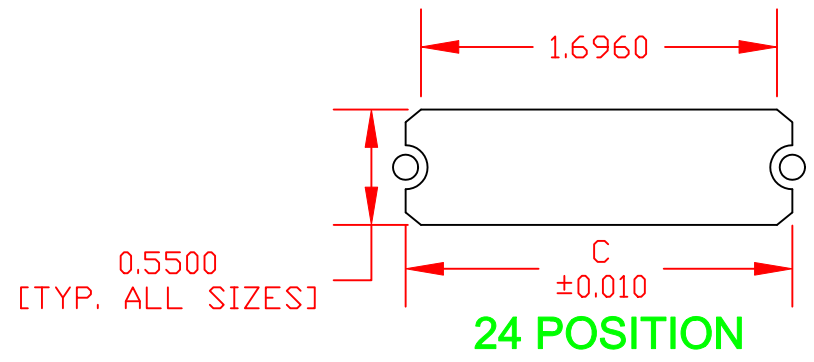
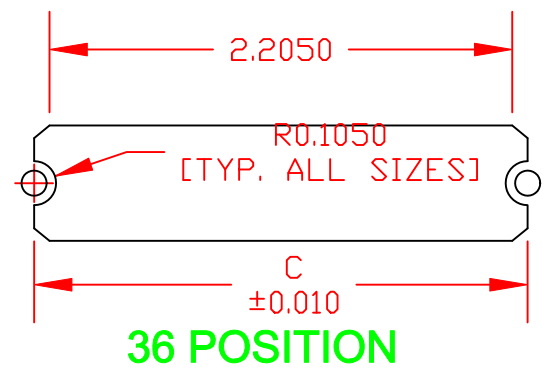
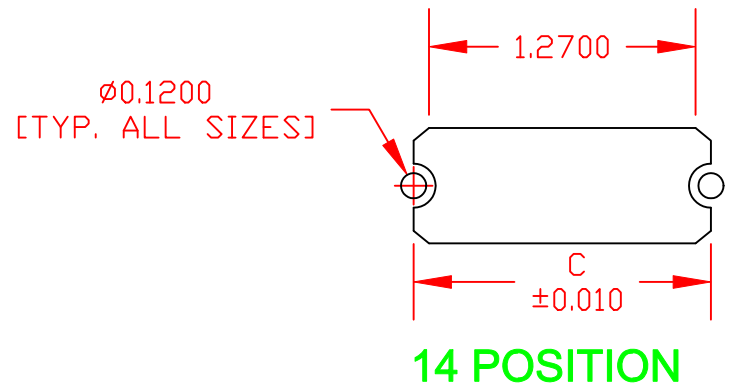
DO NOT SCALE FROM DRAWING

RECOMMENDED PCB LAYOUT

RoHS COMPLIANT

	THESE DRAWINGS AND SPECIFICATIONS ARE THE PROPERTY OF NorComp AND SHALL NOT BE REPRODUCED, COPIED OR USED AS THE BASIS FOR THE MANUFACTURE OR SALE OF APPARATUS WITHOUT WRITTEN PERMISSION.		DRAWN: WAYNE ROBBINS	DATE: 9-15-05
			CHECKED:	DATE:
		SCALE: 1:1	SHEET 1 OF 2	REV 5
		DWG NO. 112-YYY-213R001		



	014	024	036	050
C	1.417	1.843	2.352	2.947
	36.00	46.80	59.74	74.85



*****NOTE*** DIMENSION "C" =
 CENTER TO CENTER OF MOUNTING HOLES
 CENTER OF RADI
 OVERALL LENGTH OF CUTOUT**

RoHS COMPLIANT

DO NOT SCALE FROM DRAWING

	THESE DRAWINGS AND SPECIFICATIONS ARE THE PROPERTY OF NorComp AND SHALL NOT BE REPRODUCED, COPIED OR USED AS THE BASIS FOR THE MANUFACTURE OF SALE OF APPARATUS WITHOUT WRITTEN PERMISSION.	DRAWN: M. SIGMON	DATE: 01-14-11	
		CHECKED:	DATE:	
		SCALE: NONE	SHEET 2 OF 2	REV 5
		DWG NO. 112-YYY-213R001		