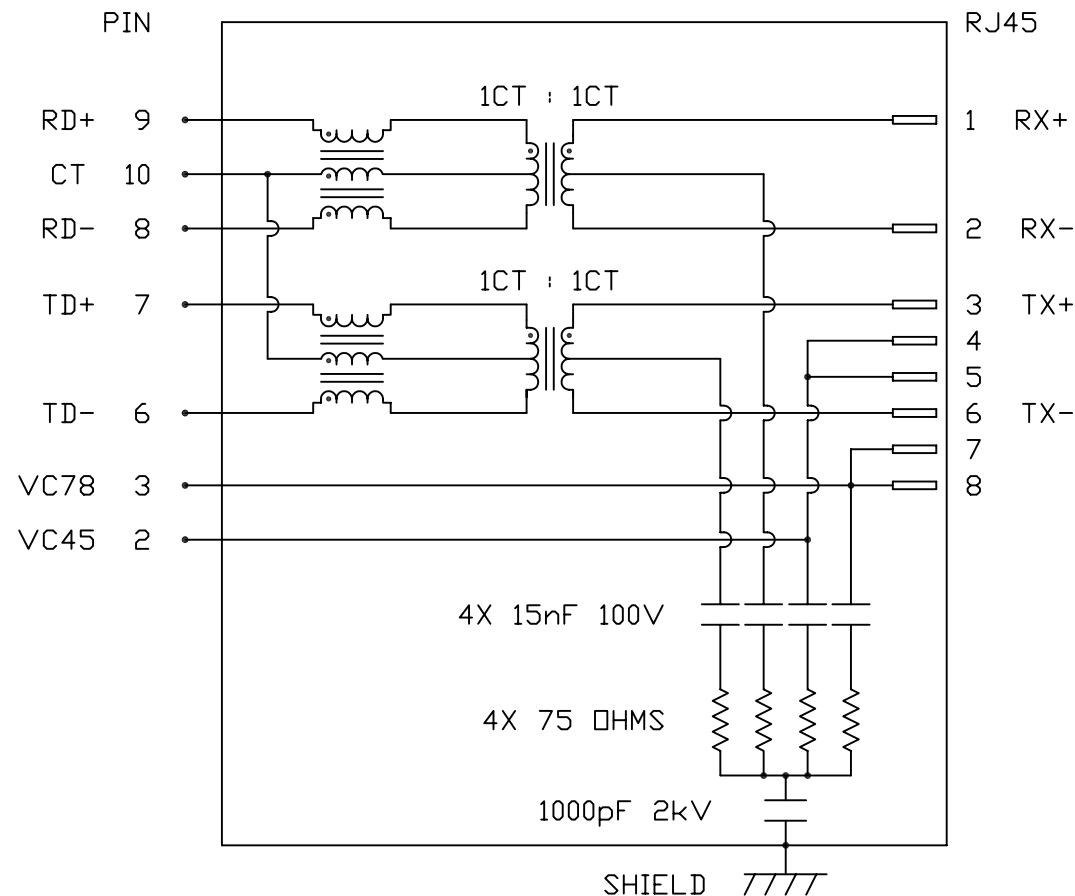
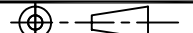


ELECTRICAL CHARACTERISTICS @ 25°C

TURNS RATIO □CL @ 0.1V, 100KHz 8mA DC BIAS	1CT : 1CT ±2% 350μ H MIN.
INSERTION LOSS 100KHz TO 100MHz	-1.5 dB MAX.
RETURN LOSS (MIN.) 2MHz-30MHz 60MHz-80MHz	-16 dB MIN. -10 dB MIN.
D.C. RESISTANCE (9-8)=(7-6) (RJ1-RJ2)=(RJ3-RJ6)	1.40 ΩHM MAX. 1.0 ΩHM MAX.
INTERWINDING CAPACITANCE PER CHANNEL (PRI. to SEC.)	40 pF MAX.
XTALK 100KHz TO 100MHz	-30 dB MIN.
HIPOT (Isolation Voltage): 100% OF PRODUCTION TESTED TO COMPLY WITH IEEE 802.3 ISOLATION REQUIREMENT	2250 VDC
BALANCED DC LINE CURRENT	350 mA MAX. @ 57 VDC CONTINUOUS 500 mA MAX. @ 57 VDC FOR 200 MILLISECONDS

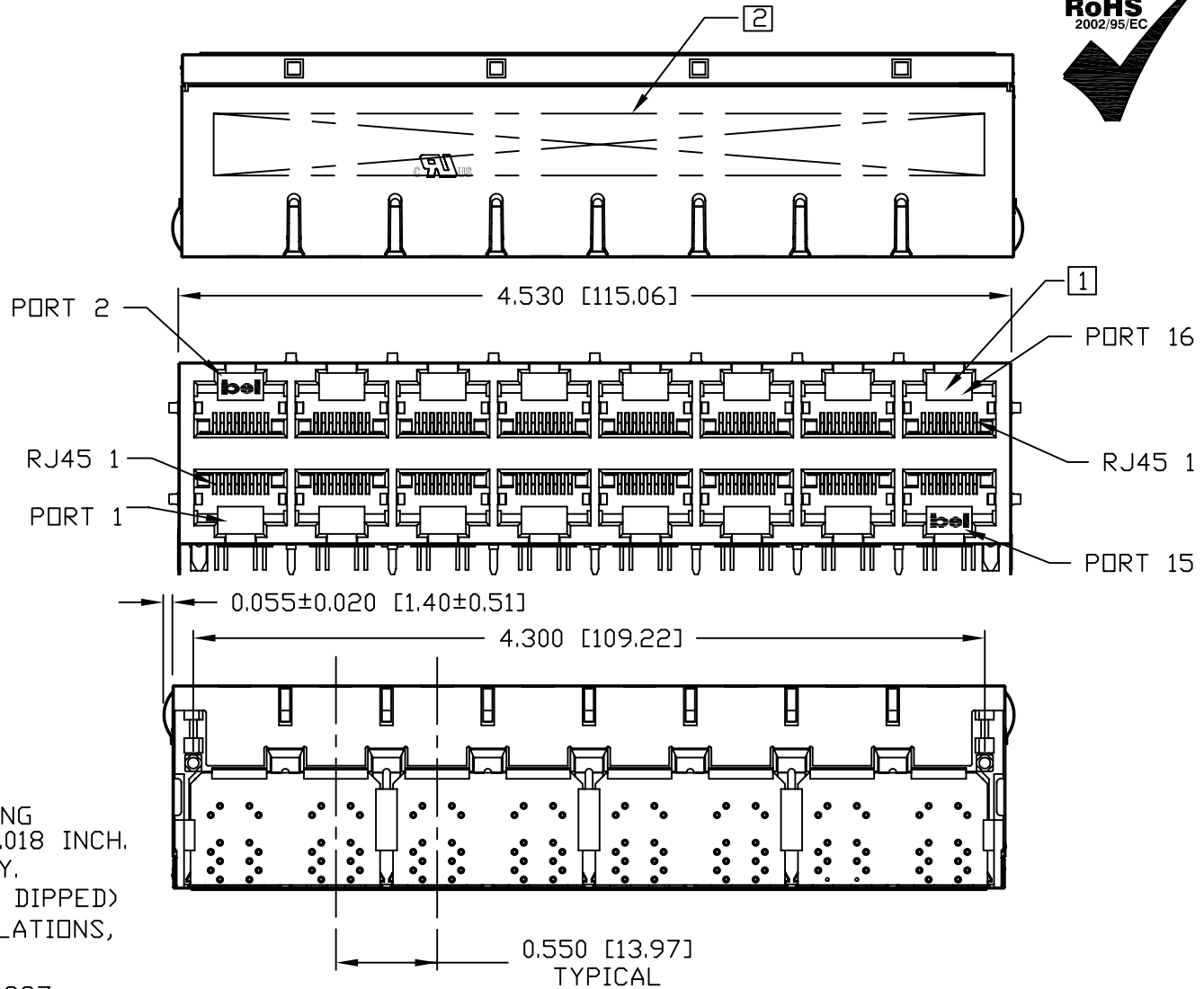
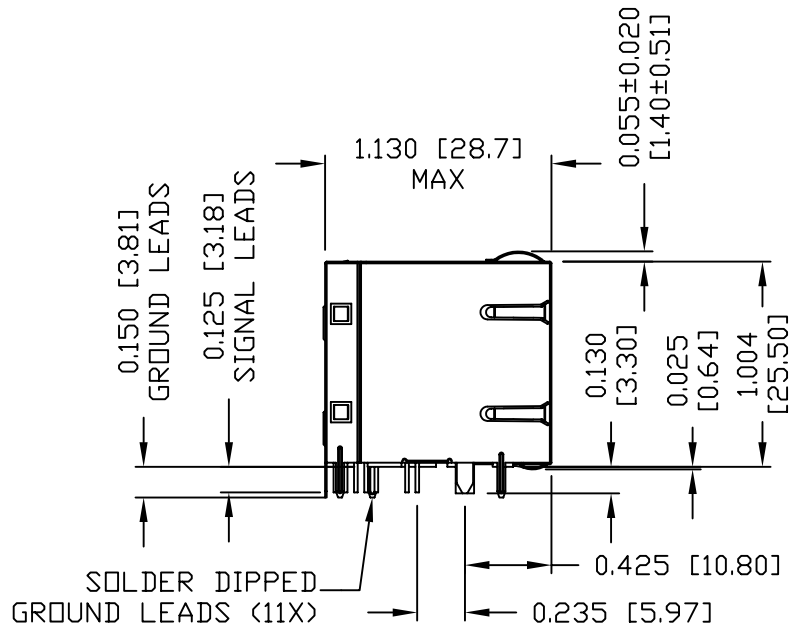
SCHEMATIC



ORIGINATED BY CHOW WANGCHUNG 09-02-09	DATE 09-02-09	TITLE 2X8 10/100 MagJack® PoE 0833-2X8R-59-F PATENTED	PART NO. / DRAWING NO. 08332X8R59-F	STANDARD DIM. TOL. IN INCH .X .XX .XXX	[] METRIC DIM. AS REFERENCE	
					UNIT : INCH [mm]	REV. : A
FILE NAME 08332X8R59-F_A.DWG				SCALE : N/A		SIZE : A4
						PAGE : 2

THE INFORMATION CONTAINED HEREIN IS CONSIDERED "PROPRIETARY" TO BEL FUSE INC. AND SHALL NOT BE COPIED, REPRODUCED OR DISCLOSED WITHOUT THE WRITTEN APPROVAL OF BEL FUSE INC.

RoHS
2002/95/EC



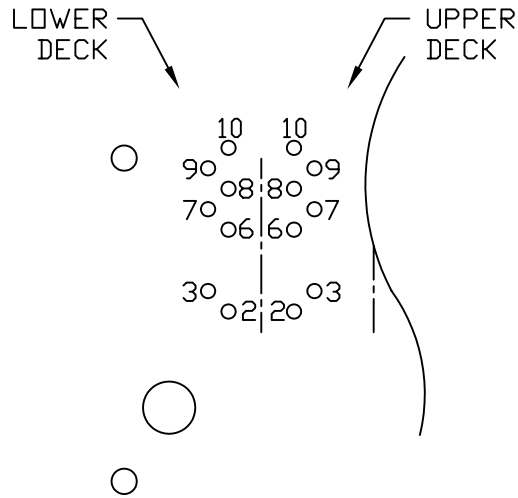
- NOTES:**
 PLASTIC HOUSING: THERMOPLASTIC PBT
 FLAMMABILITY RATING UL 94V-0
 CONTACT PLATING: 50 MICRO-INCH HARD GOLD PLATING
 OUTPUT PINS: TIN-COATED COPPER WIRE, DIA 0.018 INCH.
 METAL SHIELD: NICKEL PLATED ON COPPER ALLOY.
 (ALL GROUND LEADS ARE SOLDER DIPPED)

1. JACK CAVITY CONFORMS TO FCC RULES AND REGULATIONS, PART 68 SUBPART F.
 UL RECOGNIZED - FILE #E196366 AND E169987.
2. MARK PART WITH MFG LOGO, MFG NAME, PART NUMBER, DATE CODE AND PATENTED.
3. RoHS COMPLIANCE, PER EU DIRECTIVE 2002/95/EC
4. THE PRODUCT IS PATENTED, THE PATENT NUMBER IS U.S. PAT. 5,736,910.

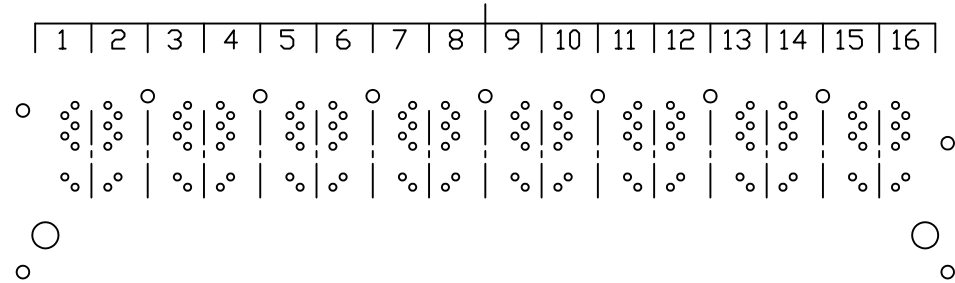
ORIGINATED BY LIU QIN	DATE 09-02-09	TITLE 2X8 10/100 MagJack® PoE 0833-2X8R-59-F PATENTED	PART NO. / DRAWING NO. 08332X8R59-F	STANDARD DIM. TOL. IN INCH	[] METRIC DIM. AS REFERENCE	
					UNIT : INCH [mm]	REV. : A
DRAWN BY XIAN JIAXIN	DATE 09-02-09		FILE NAME 08332X8R59-F_A.DWG	.X	/	SCALE : N/A
				.XX		SIZE : A4
				.XXX	±0.010	
					PAGE : 3	



THE INFORMATION CONTAINED HEREIN IS CONSIDERED "PROPRIETARY" TO BEL FUSE INC. AND SHALL NOT BE COPIED, REPRODUCED OR DISCLOSED WITHOUT THE WRITTEN APPROVAL OF BEL FUSE INC.



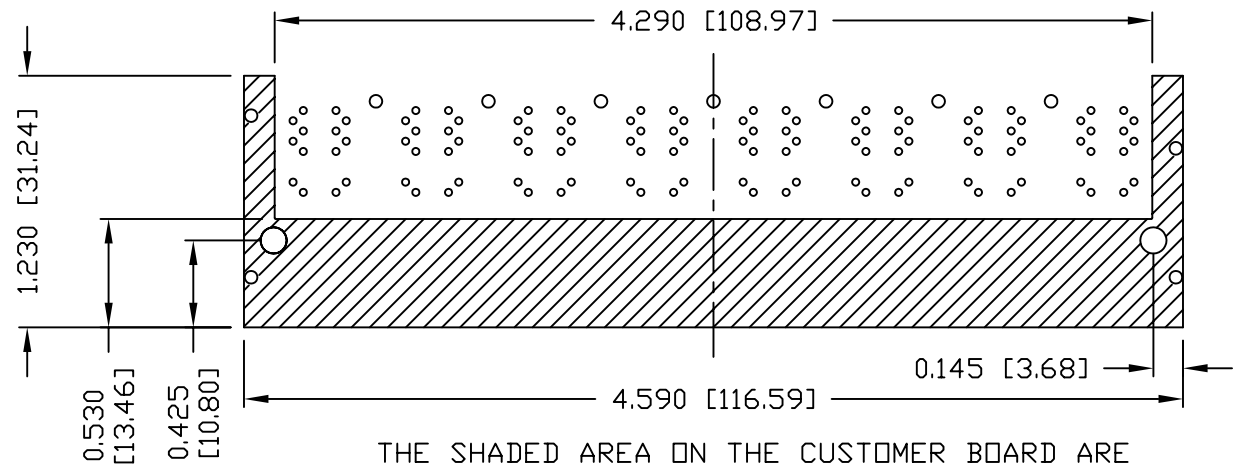
PORT ASSIGNMENT
(COMPONENT SIDE VIEW)



PIN-OUT INFORMATION
(COMPONENT SIDE VIEW)

10	COMMON CT
9	RD+
8	RD-
7	TD+
6	TD-
5	NO PIN
4	NO PIN
3	VC78
2	VC45
1	NO PIN

UNUSED PIN LOCATIONS MUST BE REMOVED TO ENSURE 2KV ISOLATION.

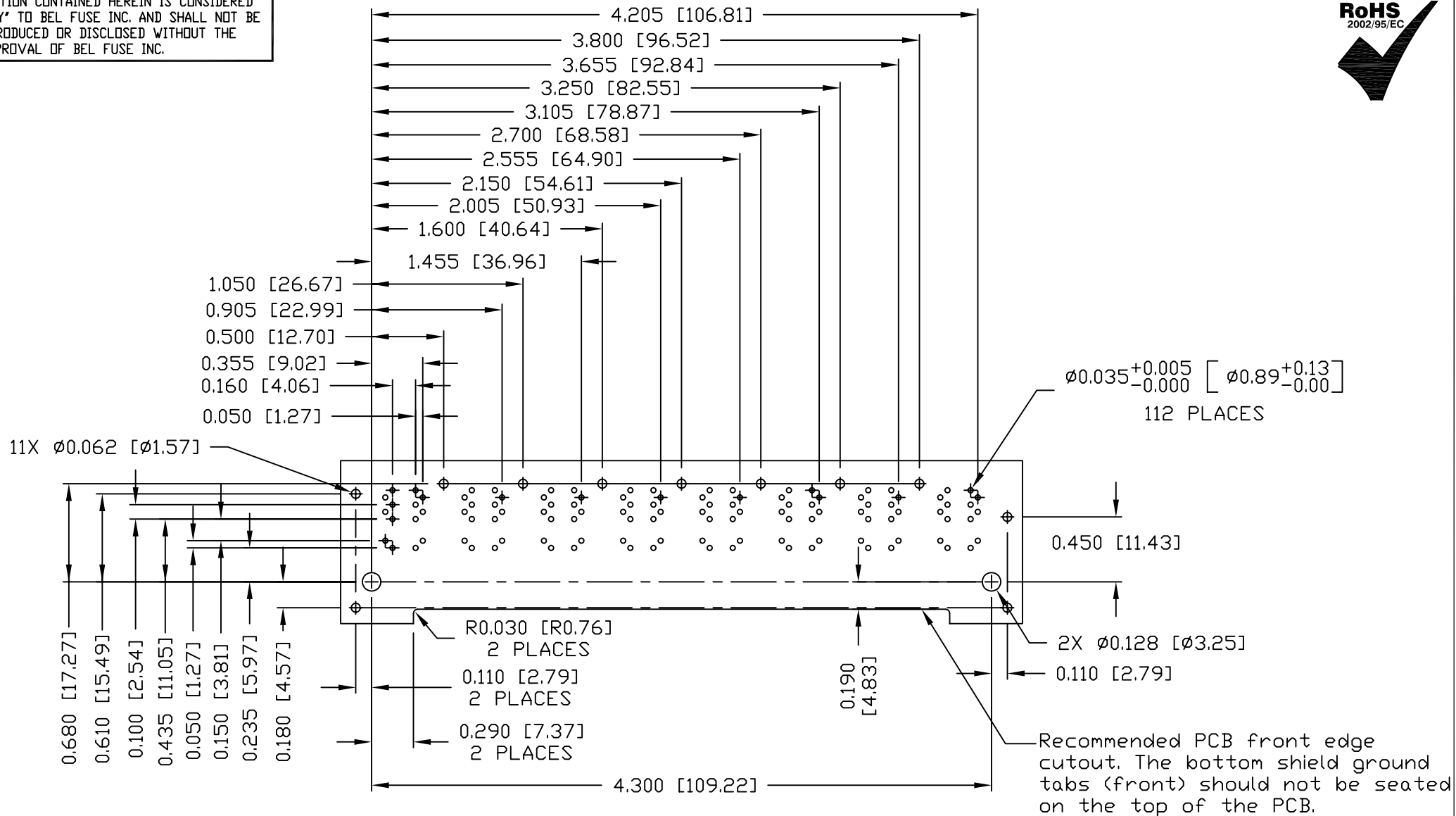


THE SHADED AREA ON THE CUSTOMER BOARD ARE RECOMMENDED TO BE CLEAR OFF ANY VIA HOLE OR COMPONENT PAD.

ORIGINATED BY LIU QIN	DATE 09-02-09	TITLE 2X8 10/100 MagJack® PoE 0833-2X8R-59-F PATENTED	PART NO. / DRAWING NO. 08332X8R59-F		STANDARD DIM. TOL. IN INCH		[] METRIC DIM. AS REFERENCE	
			FILE NAME 08332X8R59-F_A.DWG		.X .XX .XXX	±0.004	UNIT : INCH [mm]	REV. : A
DRAWN BY XIAN JIAXIN	DATE 09-02-09						SCALE : N/A	SIZE : A4
								PAGE : 4



THE INFORMATION CONTAINED HEREIN IS CONSIDERED "PROPRIETARY" TO BEL FUSE INC. AND SHALL NOT BE COPIED, REPRODUCED OR DISCLOSED WITHOUT THE WRITTEN APPROVAL OF BEL FUSE INC.

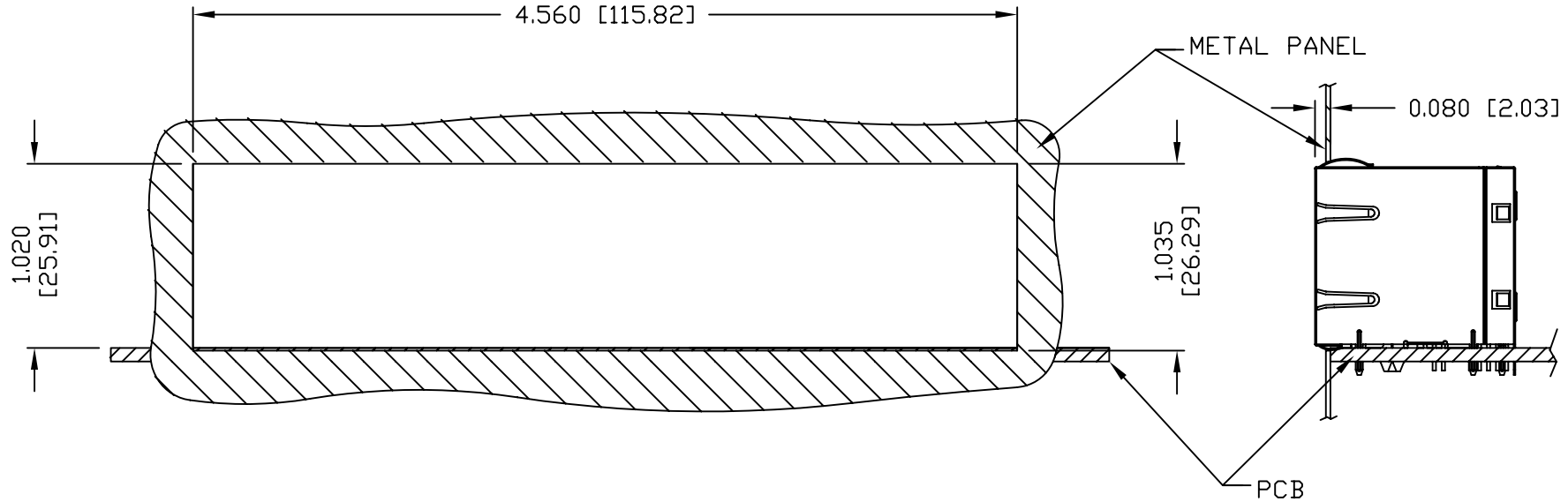


SUGGESTED FOOTPRINT
(COMPONENT SIDE VIEW)

ORIGINATED BY LIU QIN	DATE 09-02-09	TITLE 2X8 10/100 MagJack® PoE 0833-2X8R-59-F PATENTED	PART NO. / DRAWING NO. 08332X8R59-F	STANDARD DIM. TOL. IN INCH	[] METRIC DIM. AS REFERENCE	 COMPONENTS FOR A CONNECTED PLANET
DRAWN BY XIAN JIAXIN	DATE 09-02-09	FILE NAME 08332X8R59-F_A.DWG	.X	UNIT : INCH [mm]	REV. : A	
			.XX	SCALE : N/A	SIZE : A4	
			.XXX	±0.004		PAGE : 5

THE INFORMATION CONTAINED HEREIN IS CONSIDERED "PROPRIETARY" TO BEL FUSE INC. AND SHALL NOT BE COPIED, REPRODUCED OR DISCLOSED WITHOUT THE WRITTEN APPROVAL OF BEL FUSE INC.

SUGGESTED PANEL OPENING



NOTE:

THE DISTANCE OF PANEL INSIDE SURFACE RELATIVE TO FRONT SURFACE OF PART IS ONLY A SUGGESTION. IN CASE THIS DISTANCE IS DIFFERENT, THE REQUIRED PANEL OPENING DIMENSIONS CHANGE ACCORDINGLY.

PACKING INFORMATION

PACKING TRAY : 0200-9999-B2 (TOP)
0200-9999-B1 (BOTTOM)

PACKING QUANTITY : 10 PCS FINISHED GOODS PER TRAY
7 TRAY (70 PCS FINISHED GOODS) PER CARTON BOX

NOTE : CARDBOARDS ARE PLACED BETWEEN LAYERS OF PACKING TRAY INSIDE CARTON BOX (INCLUDE THE UPPERMOST AND LOWERMOST TRAY)

ORIGINATED BY LIU QIN	DATE 09-02-09	TITLE 2X8 10/100 MagJack® PoE 0833-2X8R-59-F PATENTED	PART NO. / DRAWING NO. 08332X8R59-F	STANDARD DIM. TOL. IN INCH		[] METRIC DIM. AS REFERENCE	
				.X		UNIT : INCH [mm]	REV. : A
DRAWN BY XIAN JIAXIN	DATE 09-02-09		FILE NAME 08332X8R59-F_A.DWG	.XX		SCALE : N/A	SIZE : A4
				.XXX	±0.004		PAGE : 6

