

NOTES:

1. PART NO.73415-4670 PACKAGE WITH TRAY
2. PART NO.73415-4671/73415-4672 PACKAGE WITH TAPE & REEL (SEE SHEET 3 & 4)

PART NO.	BODY MATERIAL	BODY FINISH	CONTACT MATERIAL	CONTACT FINISH	INSULATOR
73415-4672	BERYLLIUM COPPER	PLATED GOLD (10µ-in MIN) OVER NICKEL (80µ-in MIN)	BERYLLIUM COPPER	PLATED GOLD (10µ-in MIN) OVER NICKEL (80µ-in MIN)	PTFE
73415-4670 & 73415-4671	BRASS	PLATED GOLD (1µ-in MIN) OVER NICKEL (50µ-in MIN)	BERYLLIUM COPPER	PLATED GOLD (10µ-in MIN) OVER NICKEL (70µ-in MIN)	PTFE

73415-4674	1 PC 73415-4672 PER BAG	ONE PER BAG
73415-4673	1 PC 73415-4670 PER BAG	ONE PER BAG
73415-4672	NON-MAGNETIC	TRAY & REEL SEE SHEET 3 & 4
73415-4671	GENERAL TYPE	TRAY & REEL SEE SHEET 3 & 4
73415-4670	GENERAL TYPE	TRAY PER 89542-0040 DRAWING
PART NUMBER	DESCRIPTION	PACKAGING

REV	DESCRIPTION
B6	ADDED PCB LAUNCH DETAILS ON SHEET 2 ADDED PLATING THICKNESS ON SHEET 2 MOVED DETAILS ON SHEET 2 & 3 TO SHEET 3 & 4 RESPECTIVELY
B5	UPDATE DIMENSION TOLERANCE 2.3 REF TO 2.3±0.13 , Ø3.9 REF TO 3.9±0.13 4.72 REF TO 4.67±0.13 , 3.00 REF TO 3.00±0.13 0.58 REF TO 0.58±0.13 , 3.40 REF TO 3.40±0.13 REMOVE DIMENSION Ø0.58 REF ADD VIEW WITH DIMENSION Ø1.82±0.13 , 1.24±0.20 , 2.17±0.15 , Ø0.58±0.10

THIS DRAWING CONTAINS INFORMATION THAT IS PROPRIETARY TO MOLEX ELECTRONIC TECHNOLOGIES, LLC AND SHOULD NOT BE USED WITHOUT WRITTEN PERMISSION

DIMENSION UNITS	SCALE	CURRENT REV DESC: SEE REV TABLE	
mm			
GENERAL TOLERANCES (UNLESS SPECIFIED)		EC NO: 603404	
ANGULAR TOL	± 2.0°	DRWN: PSWAMI02	2018/08/21
4 PLACES	±	CHK'D: PSWAMI02	2018/09/05
3 PLACES	±	APPR: AROBERTSON	2018/09/05
2 PLACES	±	INITIAL REVISION:	
1 PLACE	±	DRWN: JTSAO	2005/03/17
0 PLACES	±	APPR: MHUANG	2005/03/21
DRAFT WHERE APPLICABLE MUST REMAIN WITHIN DIMENSIONS	THIRD ANGLE PROJECTION	DRAWING	SERIES
		C-SIZE	73415

molex

SSMCX JACK, 50 OHM
EDGE MOUNT SSMCX-J/PCB, EWR-12178

PRODUCT CUSTOMER DRAWING

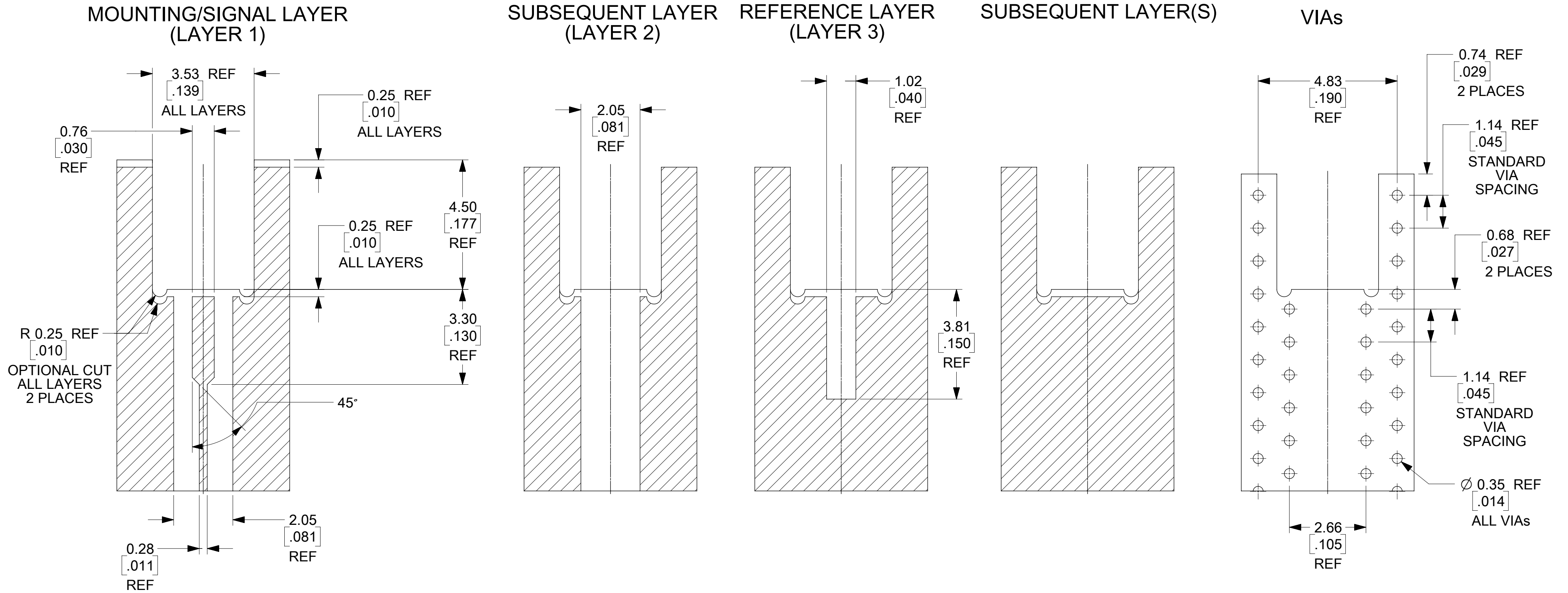
DOCUMENT NUMBER	DOC TYPE	DOC PART	REVISION
SD-73415-467	PSD	001	B6

MATERIAL NUMBER	CUSTOMER	SHEET NUMBER
SEE TABLE		1 OF 4

PS-73598-0220	ELECTRO/MECH PERFORM.
SPECIFICATION	DESCRIPTION
DOCUMENT STATUS	P1
RELEASE DATE	2018/09/05 16:18:25

PCB CONNECTOR LAUNCH / PAD (FOR REFERENCE ONLY)

ALL HATCHED SURFACES SHOWN BELOW ARE COPPER (Cu)



PCB STACK UP

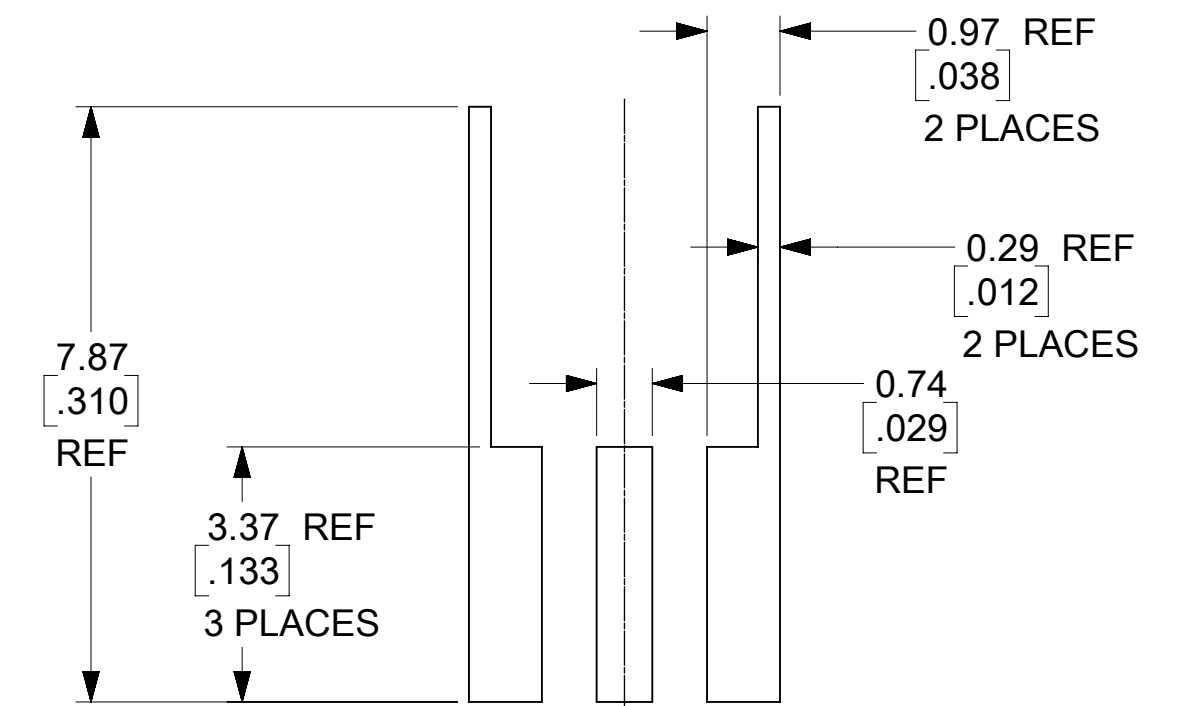
LAYER	MATERIAL	Dk	THICKNESS(mil)
1	1/2 oz Cu + PLATING		1.8
	RO4350 (CORE)	4.1	2.65
2	1/2 oz Cu + PLATING		0.6
	RO4350	4.1	3
3	1/2 oz Cu		0.6
	FR4	4.1	36.1
4	1/2 oz Cu		0.6
	FR4	4.1	3
5	1/2 oz Cu		0.6
	FR4	4.1	2.65
6*	1/2 oz Cu		0.6

* SUBSEQUENT LAYERS MAY BE ADDED AS REQUIRED FOR INDIVIDUAL APPLICATIONS

TYPICAL PERFORMANCE CHARACTERISTICS WITH CONNECTOR AND PCB LAUNCH SHOWN

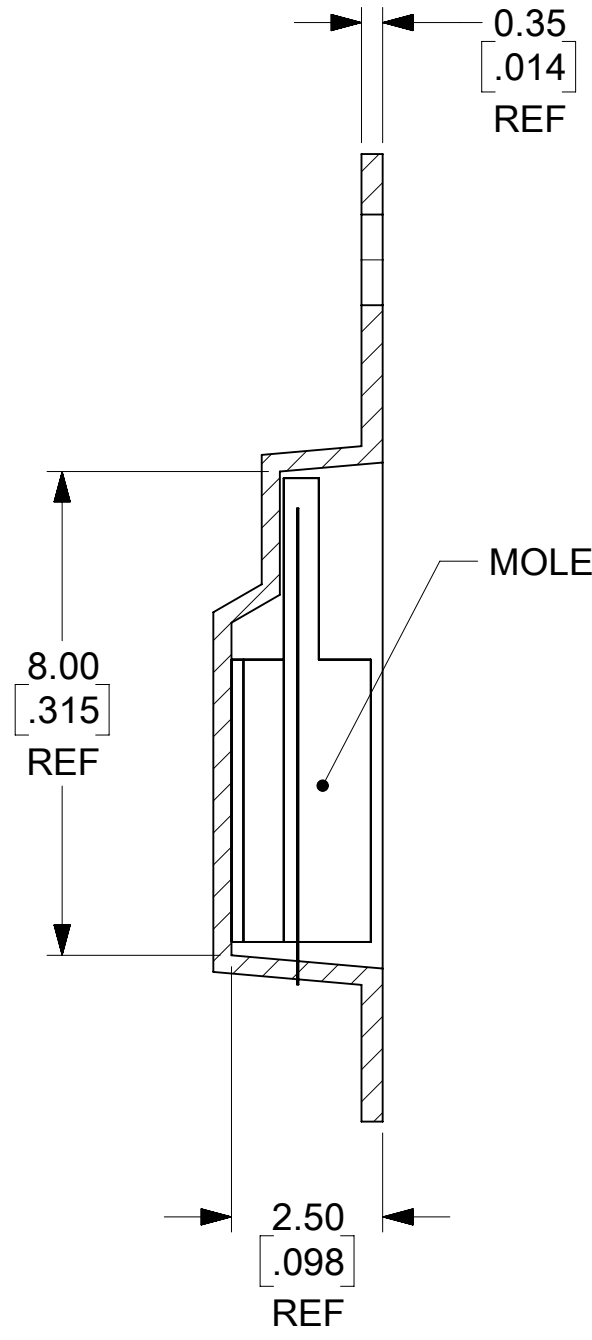
VSWR (FULLY MATED)	FREQUENCY BAND
1.10	DC TO 6 GHz
1.25	6GHz TO 8 GHz

VARYING PCB STACKUPS AND PCB LAUNCH WILL RESULT IN VARYING RESULTS CONTACT MOLEX RF / MICROWAVE FOR APPLICATION SPECIFIC ASSISTANCE

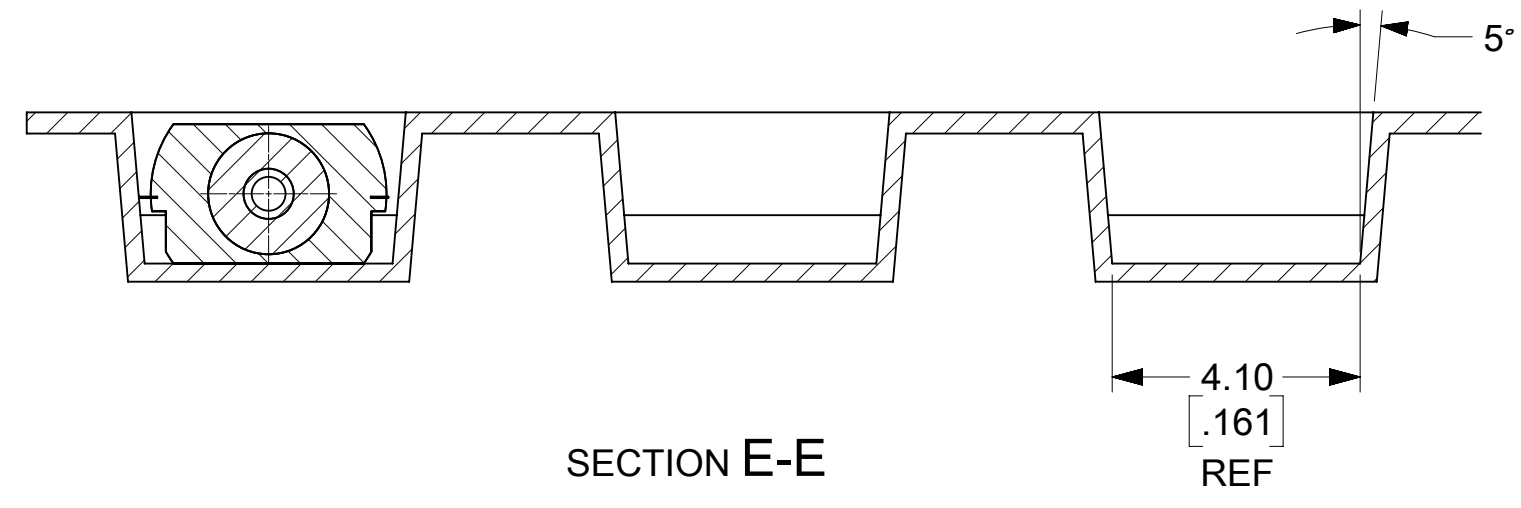
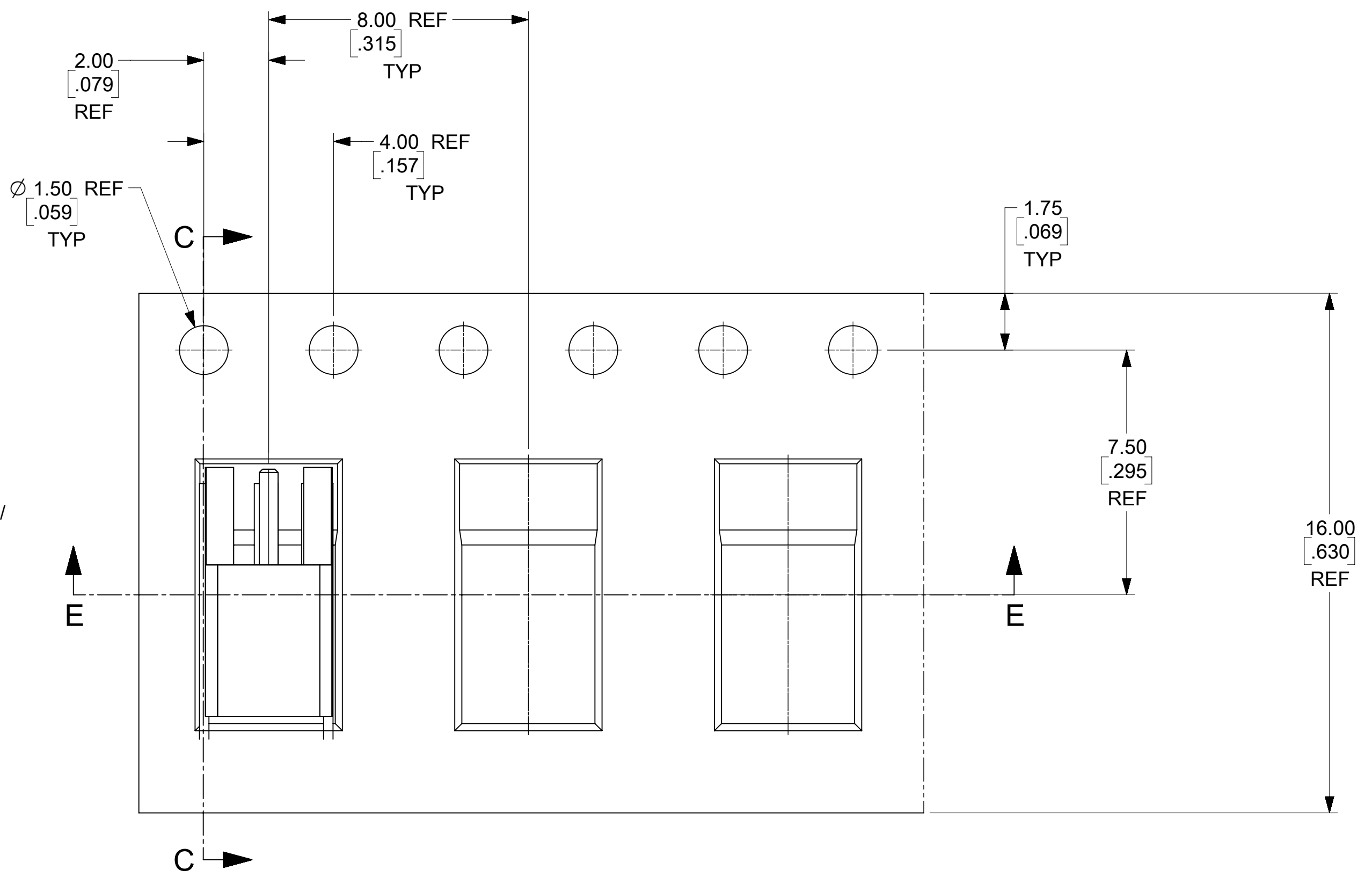


THIS DRAWING CONTAINS INFORMATION THAT IS PROPRIETARY TO MOLEX ELECTRONIC TECHNOLOGIES, LLC AND SHOULD NOT BE USED WITHOUT WRITTEN PERMISSION

DIMENSION UNITS: mm	SCALE:	CURRENT REV DESC: SEE REV TABLE	molex			
GENERAL TOLERANCES (UNLESS SPECIFIED)						
ANGULAR TOL ± 2.0°		EC NO: 603404	SSMCX JACK, 50 OHM EDGE MOUNT SSMCX-J/PCB, EWR-12178			
4 PLACES ±		DRWN: PSWAMI02 2018/08/21				
3 PLACES ±		CHK'D: PSWAMI02 2018/09/05	PRODUCT CUSTOMER DRAWING			
2 PLACES ±		APPR: AROBERTSON 2018/09/05				
1 PLACE ±		INITIAL REVISION:	DOCUMENT NUMBER	DOC TYPE	DOC PART	REVISION
0 PLACES ±		DRWN: JTSAO 2005/03/17	SD-73415-467	PSD	001	B6
DRAFT WHERE APPLICABLE MUST REMAIN WITHIN DIMENSIONS	THIRD ANGLE PROJECTION	DRAWING SERIES	MATERIAL NUMBER	CUSTOMER	SHEET NUMBER	
		C-SIZE 73415	SEE TABLE		2 OF 4	



SECTION C-C



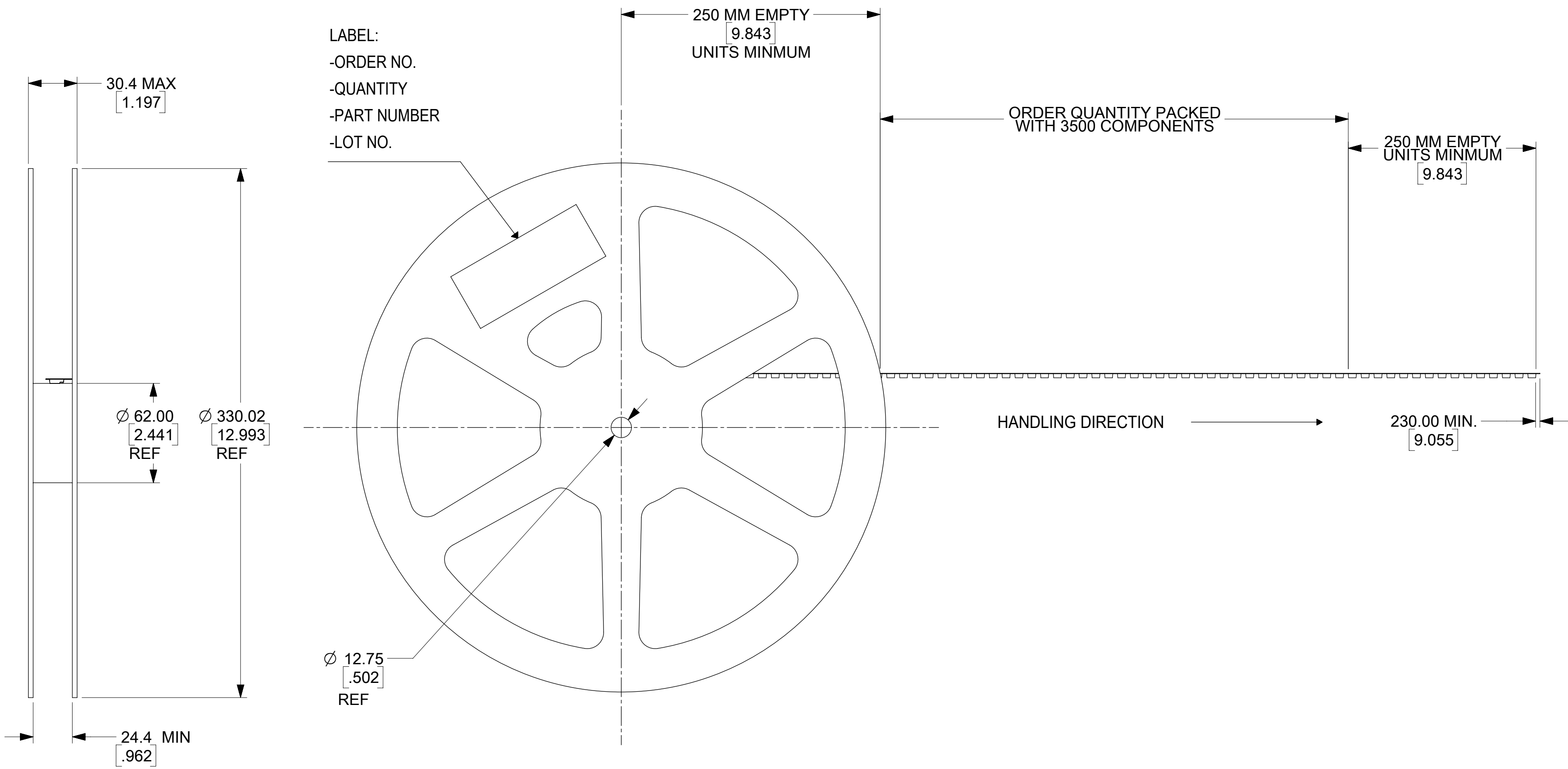
SECTION E-E

PART # 73415-4671 / 73415-4672

THIS DRAWING CONTAINS INFORMATION THAT IS PROPRIETARY TO MOLEX ELECTRONIC TECHNOLOGIES, LLC AND SHOULD NOT BE USED WITHOUT WRITTEN PERMISSION

DIMENSION UNITS	SCALE	CURRENT REV DESC: SEE REV TABLE		molex		
mm						
GENERAL TOLERANCES (UNLESS SPECIFIED)		EC NO: 603404		SSMCX JACK, 50 OHM		
ANGULAR TOL	± 2.0°	DRWN: PSWAMI02	2018/08/21	EDGE MOUNT SSMCX-J/PCB, EWR-12178		
4 PLACES	±	CHK'D: PSWAMI02	2018/09/05	PRODUCT CUSTOMER DRAWING		
3 PLACES	±	APPR: AROBERTSON	2018/09/05	DOCUMENT NUMBER		
2 PLACES	±	INITIAL REVISION:		SD-73415-467		
1 PLACE	±	DRWN: JTSAO	2005/03/17	DOC TYPE	DOC PART	REVISION
0 PLACES	±	APPR: MHUANG	2005/03/21	PSD	001	B6
DRAFT WHERE APPLICABLE MUST REMAIN WITHIN DIMENSIONS		THIRD ANGLE PROJECTION	DRAWING	SERIES	MATERIAL NUMBER	CUSTOMER
			C-SIZE	73415	SEE TABLE	
						SHEET NUMBER
						3 OF 4

DOCUMENT STATUS	P1	RELEASE DATE	2018/09/05	16:18:25
-----------------	----	--------------	------------	----------



LABEL:
 -ORDER NO.
 -QUANTITY
 -PART NUMBER
 -LOT NO.

PART # 73415-4671/73415-4672
 PACKING DESCRIPTION :
 1. MATERIAL : PS BLACK-THICKNESS : 0.35
 2. PACKING LENGTH PER 22" REEL : 86 METER (1:3)
 3. COMPONENT LOAD PER 13" REEL : 3500 PCS
 4. DIMENSION ARE PROVIDED FOR REFERENCE ONLY

THIS DRAWING CONTAINS INFORMATION THAT IS PROPRIETARY TO MOLEX ELECTRONIC TECHNOLOGIES, LLC AND SHOULD NOT BE USED WITHOUT WRITTEN PERMISSION									
DIMENSION UNITS		SCALE		CURRENT REV DESC: SEE REV TABLE				molex	
mm									
GENERAL TOLERANCES (UNLESS SPECIFIED)				EC NO: 603404				SSMCX JACK, 50 OHM EDGE MOUNT SSMCX-J/PCB, EWR-12178	
ANGULAR TOL		± 2.0°		DRWN: PSWAMI02		2018/08/21			
4 PLACES		±		CHK'D: PSWAMI02		2018/09/05			
3 PLACES		±		APPR: AROBERTSON		2018/09/05		PRODUCT CUSTOMER DRAWING	
2 PLACES		±		INITIAL REVISION:				DOCUMENT NUMBER	
1 PLACE		±		DRWN: JTSAO		2005/03/17		SD-73415-467	
0 PLACES		±		APPR: MHUANG		2005/03/21		DOC TYPE DOC PART REVISION	
DRAFT WHERE APPLICABLE MUST REMAIN WITHIN DIMENSIONS		THIRD ANGLE PROJECTION		DRAWING		SERIES		MATERIAL NUMBER CUSTOMER SHEET NUMBER	
				C-SIZE		73415		SEE TABLE	

DOCUMENT STATUS	P1	RELEASE DATE	2018/09/05	16:18:25
-----------------	----	--------------	------------	----------