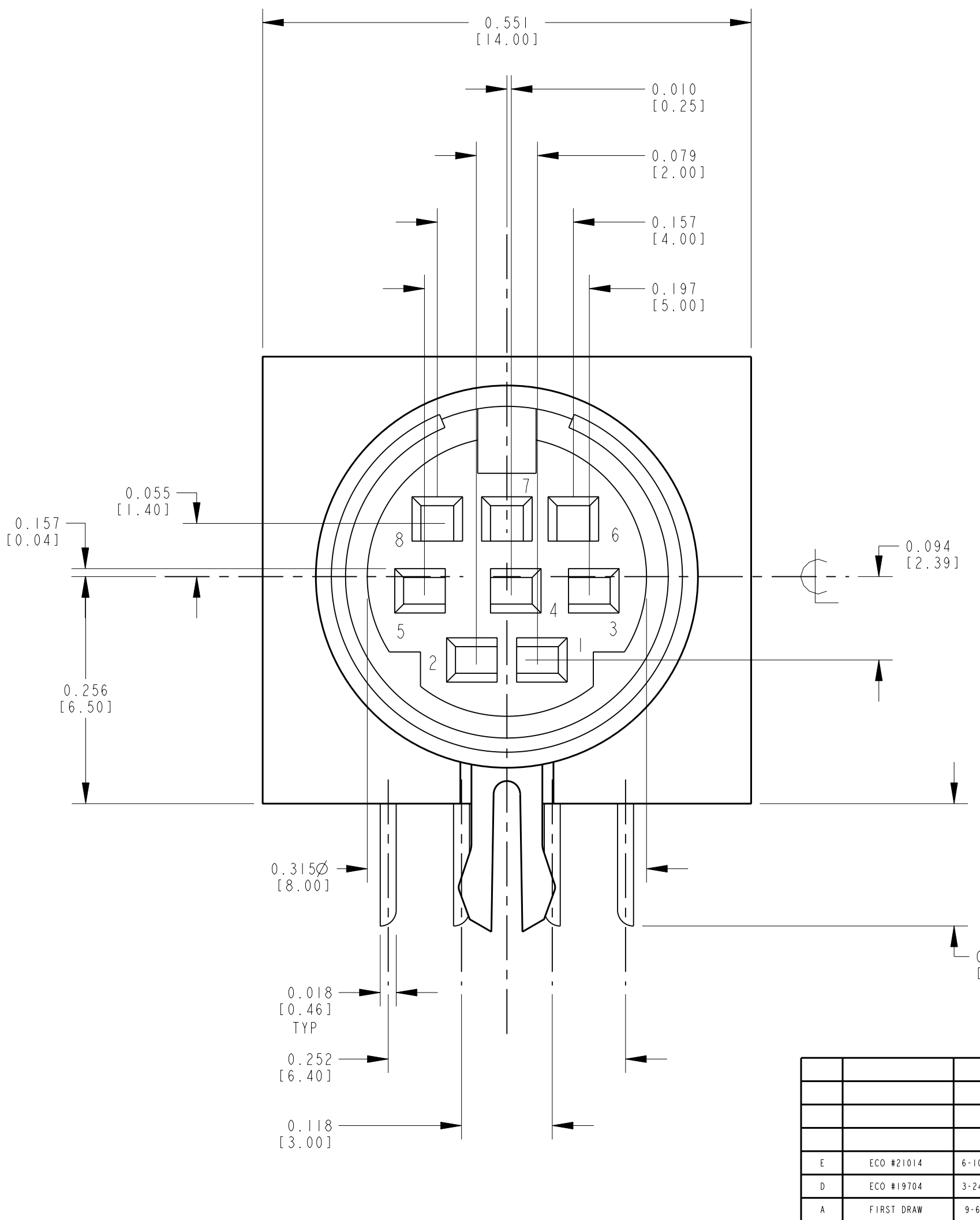
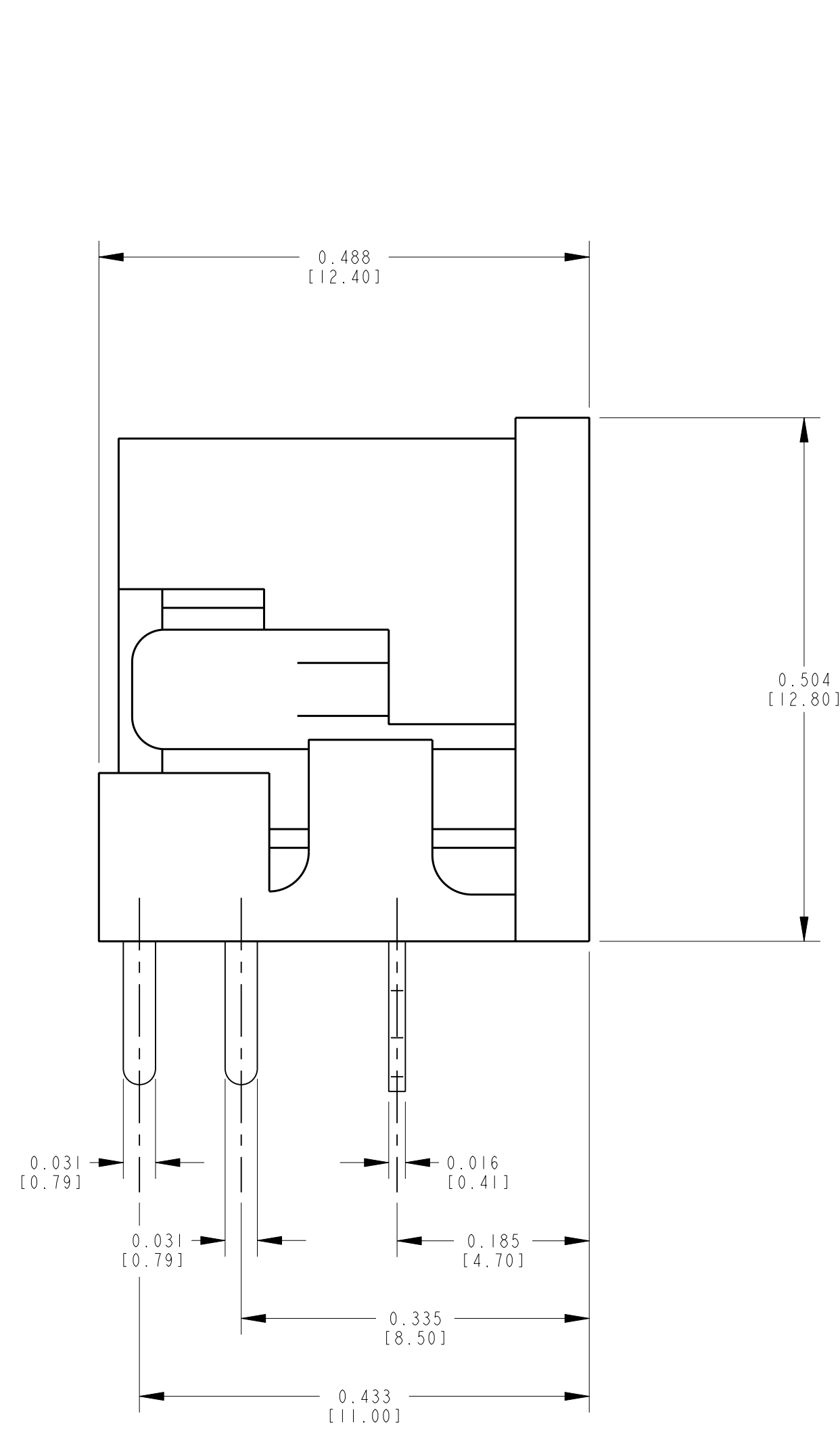


SWITCHCRAFT CATALOG PART NUMBER

SILVER PLATED CONTACT	S-MD3FRA120	SILVER PLATED CONTACT	S-MD4FRA120	SILVER PLATED CONTACT	S-MD5FRA120	SILVER PLATED CONTACT	S-MD6FRA120	SILVER PLATED CONTACT	S-MD7FRA120	SILVER PLATED CONTACT	S-MD8FRA120
<p>FRONT FACE OF CONTACTS</p>		<p>FRONT FACE OF CONTACTS</p>		<p>FRONT FACE OF CONTACTS</p>		<p>FRONT FACE OF CONTACTS</p>		<p>FRONT FACE OF CONTACTS</p>		<p>FRONT FACE OF CONTACTS</p>	
<p>RECOMMENDED P.C. BOARD LAYOUT (SOLDER SIDE) SCALE: 1: .375</p>		<p>RECOMMENDED P.C. BOARD LAYOUT (SOLDER SIDE) SCALE: 1: .375</p>		<p>RECOMMENDED P.C. BOARD LAYOUT (SOLDER SIDE) SCALE: 1: .375</p>		<p>RECOMMENDED P.C. BOARD LAYOUT (SOLDER SIDE) SCALE: 1: .375</p>		<p>RECOMMENDED P.C. BOARD LAYOUT (SOLDER SIDE) SCALE: 1: .375</p>		<p>RECOMMENDED P.C. BOARD LAYOUT (SOLDER SIDE) SCALE: 1: .375</p>	



CURRENT CARRYING CAPACITY

1A, 100V AC
2A, 12V DC
INSULATION RESISTANCE: 50M Ω MIN
DIELECTRIC STRENGTH: 250V DC/1 MINUTE
CONTACT RESISTANCE: 30m Ω MAX I
INSERTION FORCE: 0.8-5 KG / 1.76-11.1b
EXTRACTION FORCE: 0.8-4 KG / 1.76-8.81b

CUSTOMER DRAWING
CAD/CAM DWG. NO.
SMD3-SMD8FRA120_CD
SHEET 1 OF 1

STAR SYMBOL DENOTES CRITICAL DIMENSION. SEE SPC ENGINEERING STANDARD ES-0001. THIS DRAWING DESCRIBES A DESIGN CONSIDERED PROPRIETARY IN NATURE, DEVELOPED AND MANUFACTURED BY SWITCHCRAFT INC. AND IS RELEASED ON A CONFIDENTIAL BASIS FOR IDENTIFICATION PURPOSE ONLY.		UNLESS OTHERWISE SPECIFIED	
FINISH: SILVER PLATE	MATERIAL SPEC. NO.	SCALE: NTS	APP'D: DV
DATE DRAWN: 9-6-90	BY: SG	CHK'D: EB	DATE: 10-10-90
ISSUE: CHANGE NO.	DATE	BY	APP'D
REVISIONS		DO NOT SCALE DRAWING	

ECO #21014	6-10-86	DEA	KS
ECO #19704	3-24-85	RC	GHJ
FIRST DRAW	9-6-90	SG	EB

FINISH: SILVER PLATE
 MATERIAL: SMD3/SMD8FRA120
 SCALE: NTS
 APP'D: DV
 DATE: 10-10-90
 BY: SG
 CHK'D: EB
 DATE: 10-10-90
 PART NO: SMD3/SMD8FRA120
 ISSUE: E