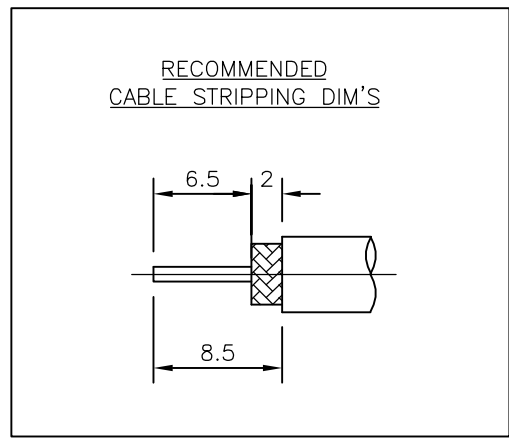
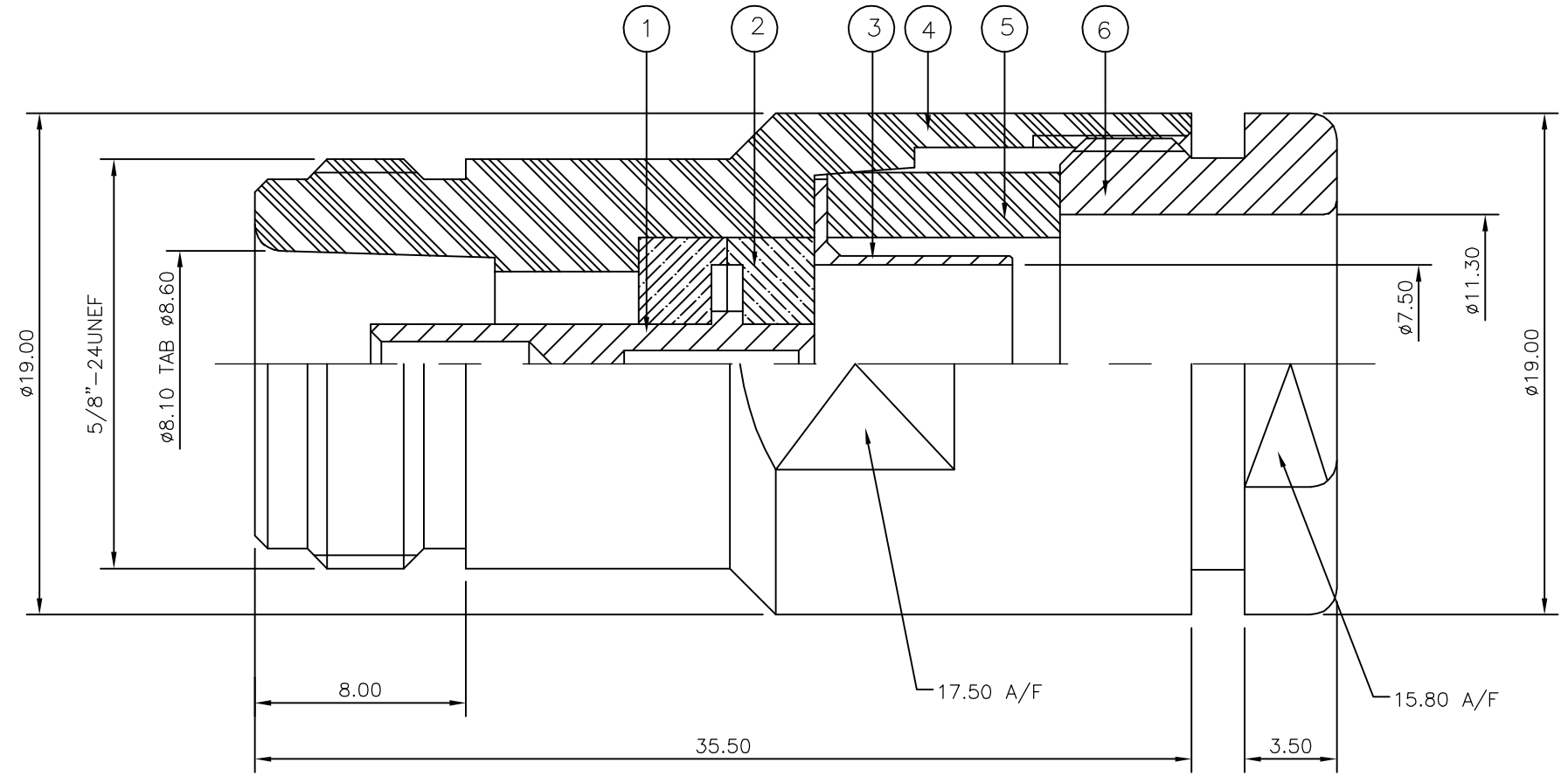


THIS DRAWING IS UNPUBLISHED. RELEASED FOR PUBLICATION SEP, 2005.
 © COPYRIGHT 2005 BY TYCO ELECTRONICS CORPORATION. ALL RIGHTS RESERVED.

LOC	DIST	REVISIONS					
E	B	P	LTR	DESCRIPTION	DATE	DWN	APVD
		C		ECR-05-010526	14SEP05	JMS	FWK

- NOTES:
- 1 PACK IN ACCORDANCE WITH AMP SPEC 107-3275
 - 2 100 TRAY PACK IN ACCORDANCE WITH AMP SPEC 107-3275
 - 3 Ag PLATING
 - 4 THIS ITEM MUST BE WHITE
5. ELECTRICAL CHARACTERISTICS
- | | |
|-------------------------------|-----------------------------|
| FREQUENCY RANGE: | DC - 11 GHz |
| NOMINAL IMPEDANCE: | 50 Ohm |
| INSULATION RESISTANCE: | 5000 MOhm |
| WORKING VOLTAGE: | 1000 Volts RMS at Sea Level |
| DIELECTRIC WITHSTAND VOLTAGE: | 2500 Volts RMS Max |
| CONTACT RESISTANCE: | |
| CENTRE CONTACT: | 1.00 mOhm Max |
| OUTER CONTACT: | 1.00 mOhm Max |
| VSWR @ 4GHz: | 1.30:1 Max |
| INSERTION LOSS dB @ x 4 GHz: | 0.30 Max |
6. MECHANICAL CHARACTERISTICS
- | | |
|-------------------------------|----------------|
| COUPLING NUT RETENTION FORCE: | N/A |
| CABLE RETENTION FORCE: | 350N Min |
| CLAMP NUT RECOMMENDED TORQUE: | 4.5N |
| DURABILITY: | 500 Cycles Min |
7. ENVIRONMENTAL CHARACTERISTICS
- | | |
|------------------------|------------------|
| OPERATING TEMPERATURE: | -65 to +165 DegC |
|------------------------|------------------|



QTY	QTY PER ASSY	MATERIAL	DESCRIPTION	ITEM
1	1	BRASS	CLAMP NUT	6
1	1	SILICON RUBBER	GASKET	5
1	1	BRASS	BODY	4
1	1	BRASS	SLEEVE	3
1	1	PTFE	INSULATION	2
1	1	BRASS	CONTACT	1
6--0	1--0			

THIS DRAWING IS A CONTROLLED DOCUMENT.		DWN	J.SANDWELL	14SEP05	 Tyco Electronics Corporation Bideford EX39 4HE
DIMENSIONS: mm		CHK	S.PARLOW	14SEP05	
TOLERANCES UNLESS OTHERWISE SPECIFIED:		APVD	F.WHEELER-KING	14SEP05	
0 PLC ± - 1 PLC ± - 2 PLC ± - 3 PLC ± - 4 PLC ± - ANGLES ± -		PRODUCT SPEC	108-3435		
MATERIAL	SEE TABLE	FINISH	SEE TABLE	APPLICATION SPEC	411-3256
WEIGHT		-		SIZE	A3
CUSTOMER DRAWING		SCALE		CAGE CODE	00779
SCALE		NTS		DRAWING NO	C-1337406
SHEET		1 OF 1		RESTRICTED TO	-
REV		C			