

SPECIFICATION FOR APPROVAL



TO: _____

PART NO.		REV.		DELTA SAMPLE ISSUE NO	
PART NAME	EMI FILTER			DELTA MODEL	20GENG3E-R
ORDER P/N.	20GENG3E-R			SAMPLE ISSUE DATE	

1. ELECTRICAL CHARACTERISTICS:

- 1-1. VOLTAGE RATING 125/250VAC
- 1-2. CURRENT RATING
 - A. AT 125VAC 20 A RMS Max.
 - B. AT 250VAC 16 A RMS Max.
- 1-3. OPERATING FREQUENCY..... 50/60 Hz
- 1-4. LEAKAGE CURRENT: EACH LINE TO GROUND
 - A. @115VAC 60Hz 0.20 mA Max.
 - B. @250VAC 50Hz 0.40 mA Max.
- 1-5. HIPOT RATING (FOR ONE MINUTE)
 - A. LINE TO GROUND 2250VDC
 - B. LINE TO LINE 1450VDC
- 1-6. TEMPERATURE RANGE: -25 TO +100 DEGREE C
- 1-7. MINIMUM INSERTION LOSS IN dB: (AT 50 OHM SYSTEM)

FREQ. MHz	.01	.05	.10	.15	.50	1.0	5.0	10	30
COM. MODE dB	/	2	5	8	10	15	25	30	35
DIF. MODE dB	/	0	2	2	10	15	40	35	40

1-8. SAFETY

REPORT BY	CHECKED BY	APPROVED BY		
			REV.	

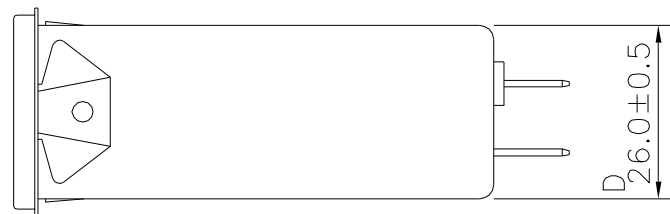
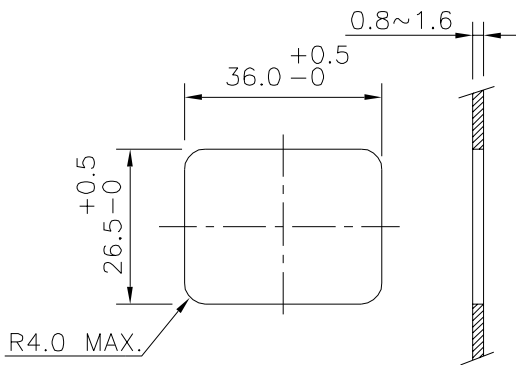
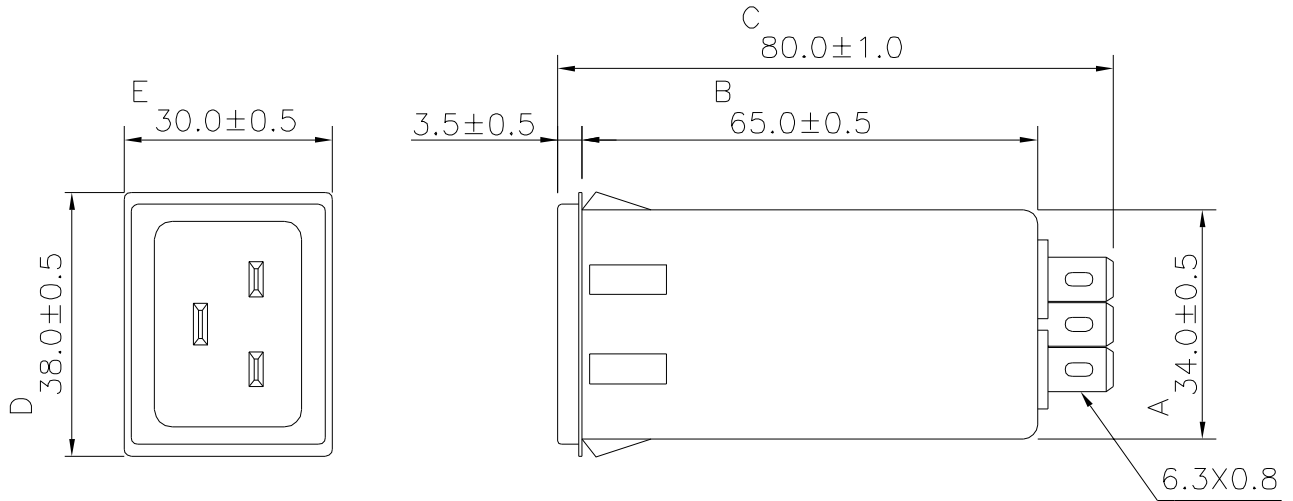
SPECIFICATION FOR APPROVAL



TO: _____

PART NO.		REV.		DELTA SAMPLE ISSUE NO	
PART NAME	EMI FILTER			DELTA MODEL	20GENG3E-R
ORDER P/N.	20GENG3E-R			SAMPLE ISSUE DATE	

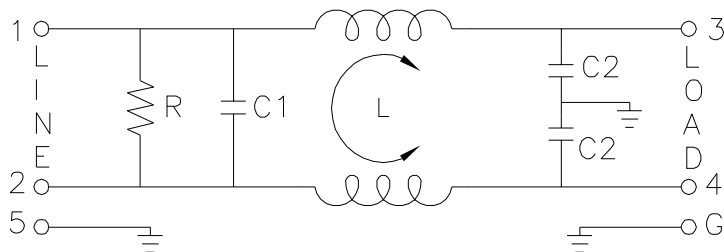
2. PHYSICAL DIMENSIONS:



SUGGESTED MOUNTING CUTOUT
(MOUNTING FROM REVERSE)

UNIT: mm

3. SCHEMATIC:



L: 0.3mH
C1: 0.1uF
C2: 2200pF
R: 1.0MΩ

REPORT BY	CHECKED BY	APPROVED BY	UNLESS OTHERWISE SPECIFIED DIMENSION TOLERANCE		
			DCEIMALS .X±	.XX±	ANGLES±
			REV.		

DELTA ELECTRONICS, INC.

186 RUEY KUANG ROAD, NEIHU, TAIPEI 114,
TAIWAN, R.O.C.
TEL:886-2-87972088 FAX:886-2-87972120