

5

4

3

2

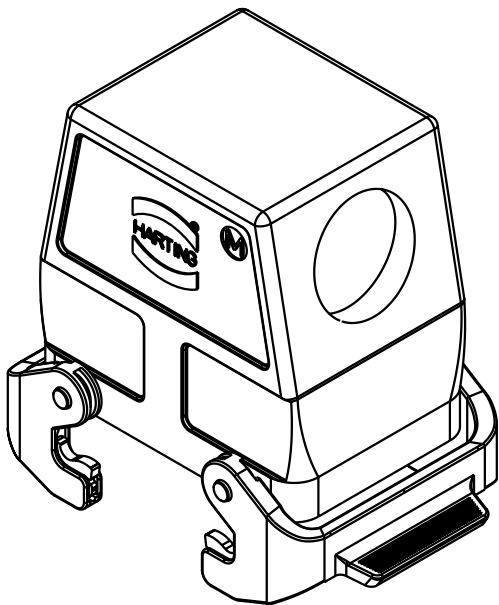
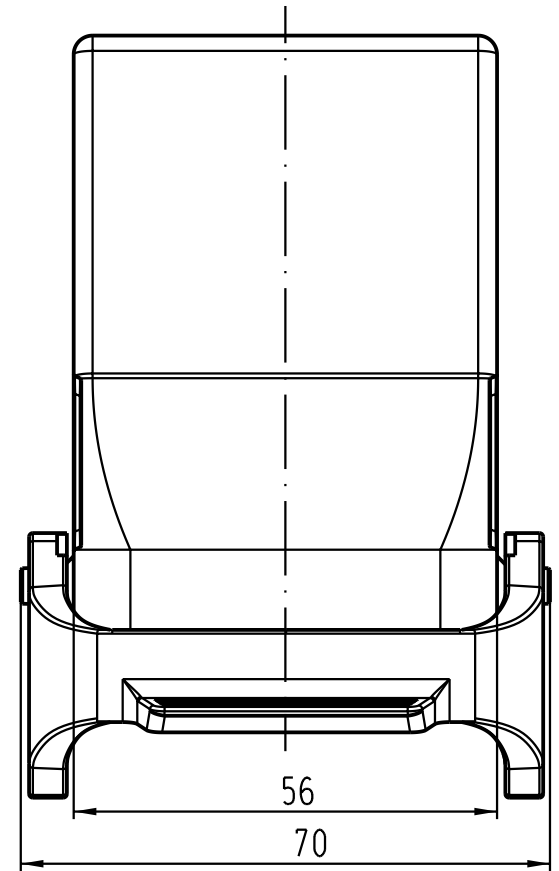
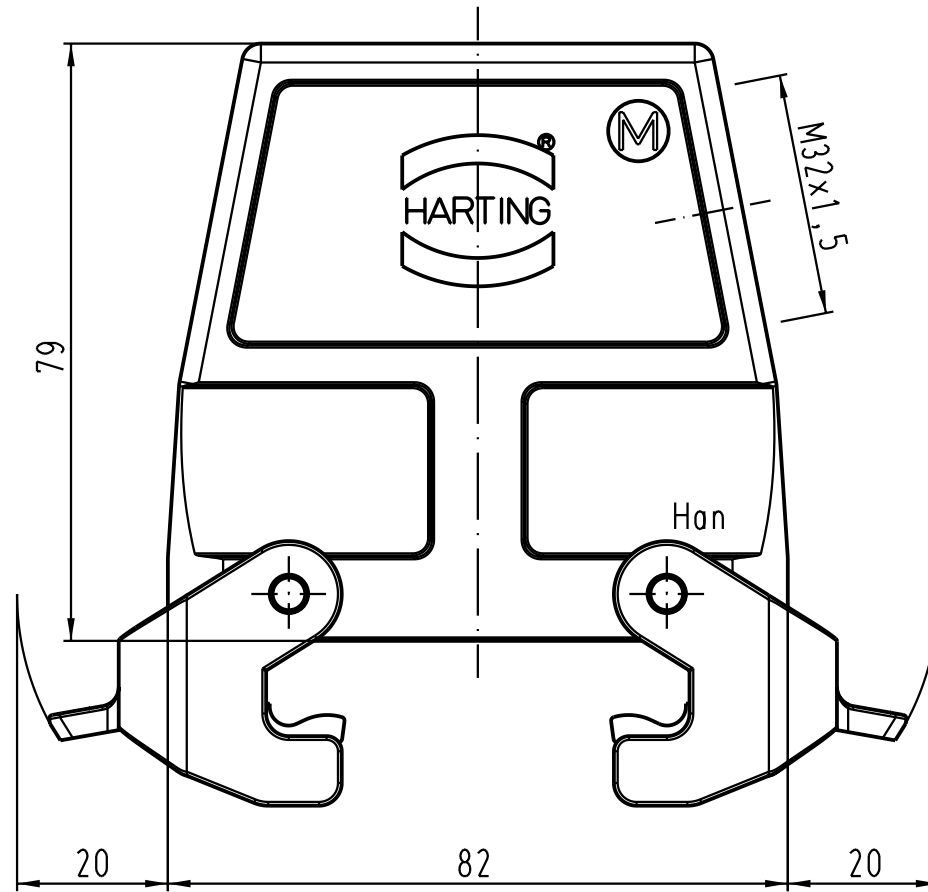
1

D

C

B

A



|   |      |                                |                   |      |   |  |
|---|------|--------------------------------|-------------------|------|---|--|
| All Dimensions in mm<br>Original Size DIN A 4 |      | Techn. Character.              |                   |      | Nicht tolerierte Masse / Free size tolerances |  |
|   |      |                                | Dat.              | Name | Masstab / Scale                               | <b>Han 32A-gs-QB-M32</b><br>Topfgehäuse /<br>hoods |
|   |      | Detail.                        | 22.07.03          | Ho   | 1:1   |  |
|   |      | Insp.                          |                   | KR   |   |  |
|   |      | Stand.                         |                   |      |   |  |
| 410622  |      | HARTING Electric GmbH & Co. KG |                   |      |   | <b>TB 19 20 032 0537</b>                           |
| Mod.  | Dat. | Name                           | D-32339 Espelkamp |      |   |  |
|   |      |                                |                   |      | Sub.  |  |