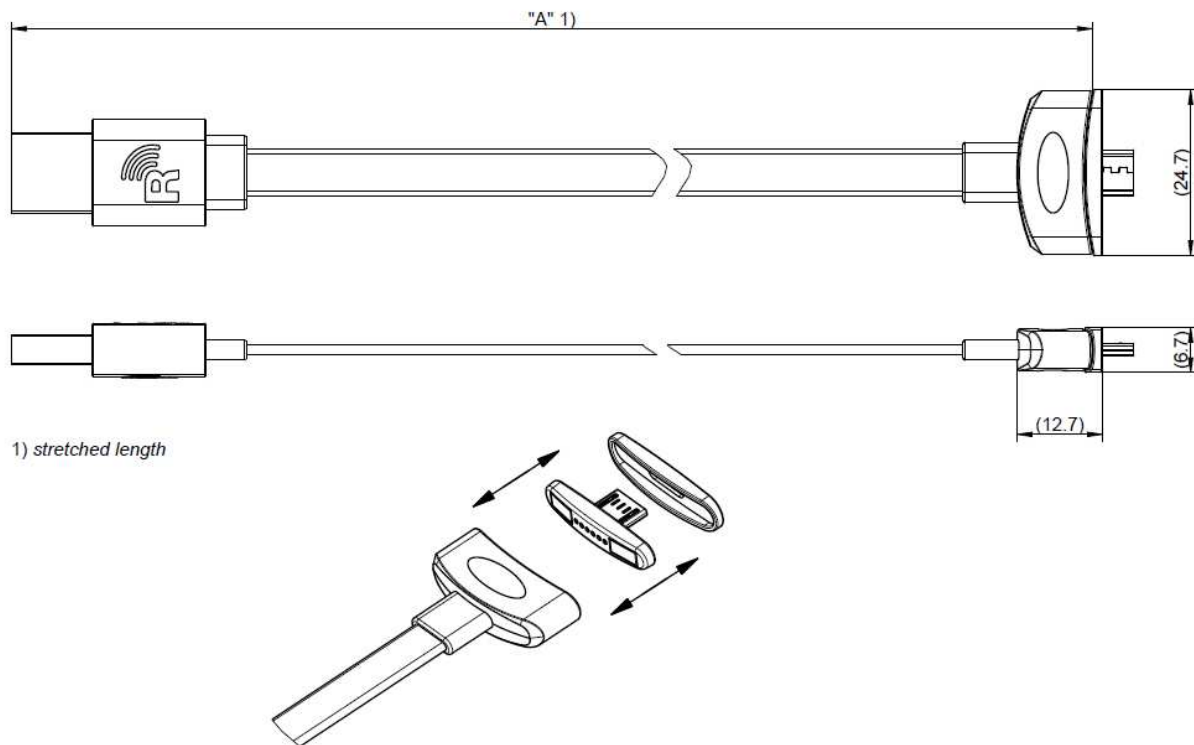


L99 USB 2.0 A MALE TO USB 2.0 MICRO-B ADAPTER

L99-M0014-XXX-Y



1) stretched length

All dimensions are in mm; tolerances according to ISO 2768 c

Interface

According to MU1S199-K01L-Y

Available length

| Description | Length "A" in [mm] ¹ |
|-----------------|---------------------------------|
| L99-M0014-XXX-Y | XXX ± 1% |

¹length < 300 ± 3 mm

Available colour

| Description | Colour "Y" in |
|-----------------|---------------|
| L99-M0014-XXX-Y | A- white |
| | B- black |

Technical data cable interfaces

USB 2.0 480Mbit/s
 gold contacts
 1.0 meter length
 USB 2.0 A-plug male version
 Magnetic interface for magnetic adapter

RF_35/06.07/5.0

L99 USB 2.0 A MALE TO USB 2.0 MICRO-B ADAPTER

L99-M0014-XXX-Y

Technical data magnetic adapter

USB 2.0 480Mbit/s
gold contacts
Magnetic interface for cable interface
USB Micro B 2.0 Plug

Electrical data

USB Standard 2.0

Mechanical data

Mating cycles USB acc. to USB 2.0 specification
Mating cycles Adapter min. 10000
Disengagement force (USB interface) min. 11 N
max. 16 N
Disengagement force (magnetic interface) min. 6 N
max. 11 N

Environmental data

Temperature range -25°C to +50°C
RoHS compliant

Packing

Standard plastic bag
Weight 25.1g/piece

Safety instruction

Caution

Magnets can impact the function of pace makers and implantable cardioverter-defibrillators (e.g. actuation of reed switch). Keep a minimum distance of 0.5 m (50 cm) from magnetic components in order to prevent malfunction and danger to health.

While the information has been carefully compiled to the best of our knowledge, nothing is intended as representation or warranty on our part and no statement herein shall be construed as recommendation to infringe existing patents. In the effort to improve our products, we reserve the right to make changes judged to be necessary.

| Draft | Date | Approved | Date | Rev. | Engineering change number | Name | Date |
|--|----------|---------------|----------|--|---------------------------|--------------|---------------|
| M. Portenkirchner | 23/03/16 | C. Kainzmaier | 21.08.18 | a00 | 18-s302 | M. Schönsmal | 21.08.18 |
| Rosenberger Hochfrequenztechnik GmbH & Co. KG P.O.Box 1260 D-84526 Tittmoning Germany www.rosenberger.de | | | | Tel.: +49 8684 18-0 Fax: +49 8684 18-499 email: info@rosenberger.de | | | Page 2 / 2 |