

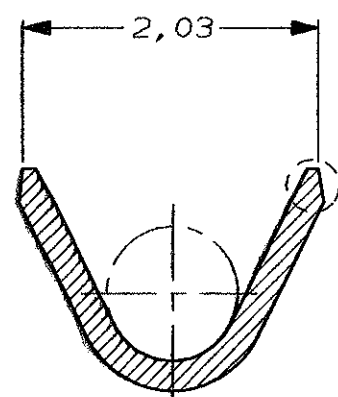
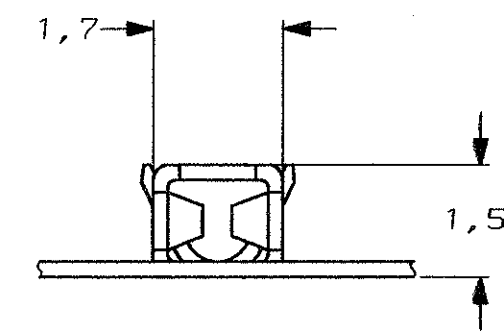
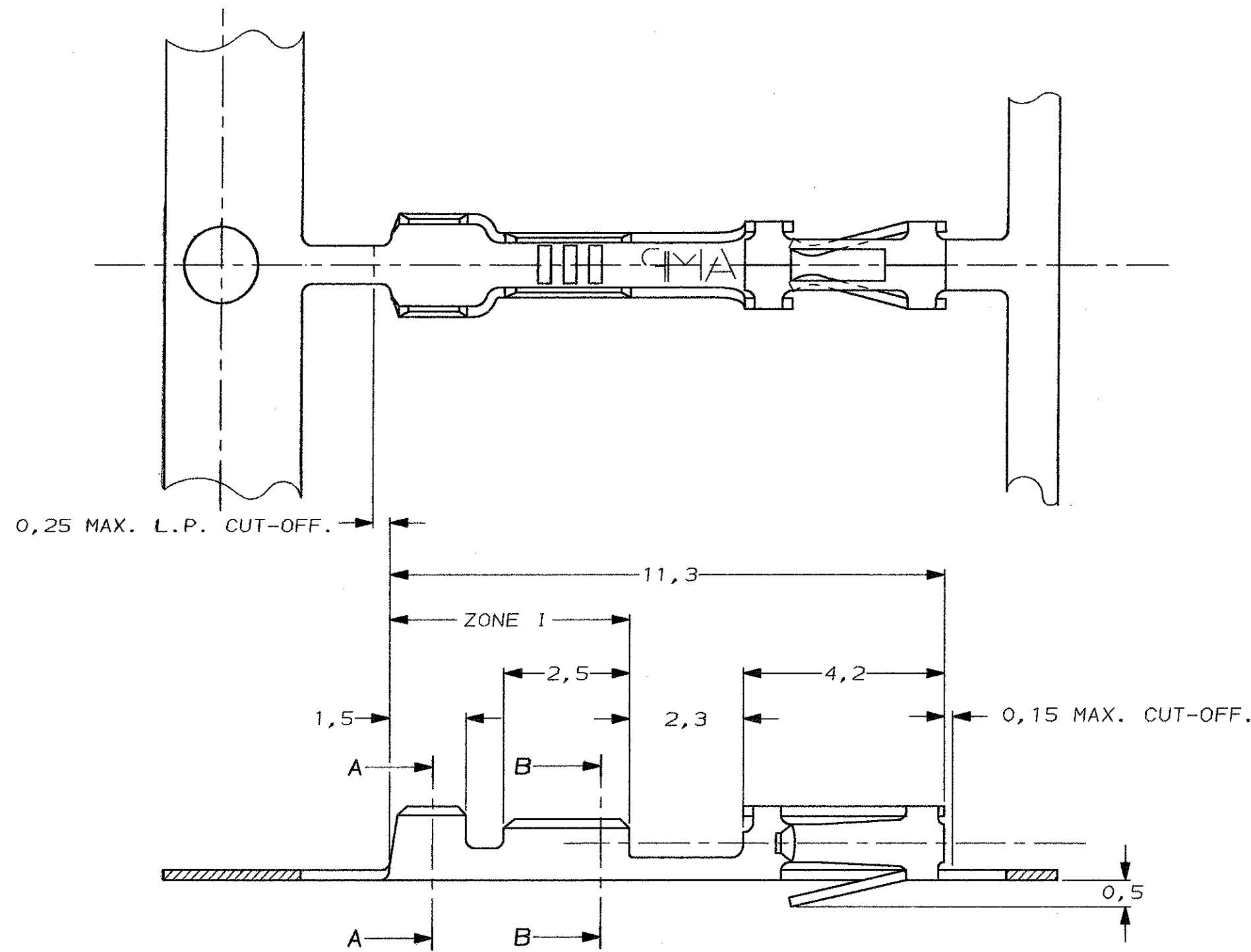
DO NOT SCALE  
DIMENSIONS IN mm

METRIC

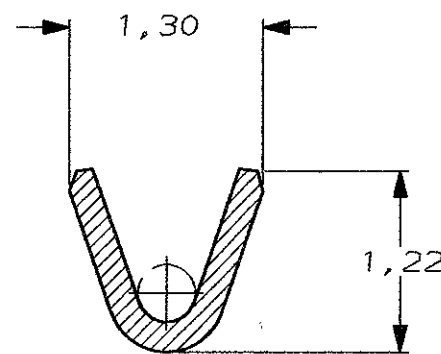
THIRD ANGLE  
PROJECTION

NOTES:

- 1 REVERSE REELING FOR USE WITH MINI-APPLICATOR.
- 2 CRIMPING SPECIFICATION 114-25003.
- △ PREPLATED STOCK 0,8µm MIN. GOLD ON CONTACT AREA OVER 1,25µm MIN. NICKEL OVERALL. ZONE I: 0,5µm MIN. GOLDFLASH.
- △ PREPLATED STOCK 0,8µm MIN. GOLD ON CONTACT AREA OVER 1,25µm MIN. NICKEL OVERALL. GOLDFLASH ON REMAINDER.
- 5 WIRE RANGE: 28-32 AWG.



SECTION A-A  
SCALE 20:1



SECTION B-B  
SCALE 20:1

	SEL. Au/Au FLASH	△ 4	167023-2	167020-2	
	SEL. Au/Au FLASH	△ 3	167023-1	167020-1	
	FINISH		LOOSE PIECE NR.	PARTNUMBER	
-	-	-	-	-	
-	-	-	-	-	
-	-	-	-	-	
-	-	-	-	-	
-	-	-	-	-	
B	EH-2039-98	JvL JvL	03-12-98		
A	EH-0491-93	JvdH D.S.	10-07-93		
LTR.	REVISION RECORD	DR.	CHK.	DATE	
DR.:	J.V.D.HEIJDEN	CHK.:	J.V.LIEMPT	APP.:	E.LEIJTENS
DATE:	10-07-93	DATE:	19-07-93	DATE:	19-07-93
DWG. No.			C-167020	REV. LTR.	SHEET
			B	1 OF 1	A2