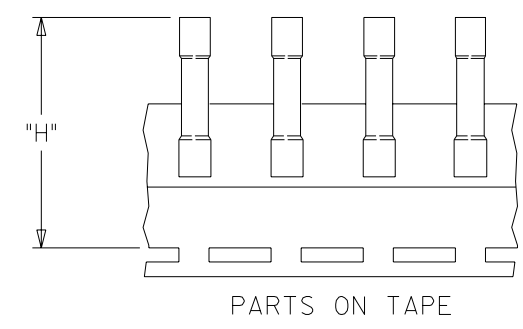
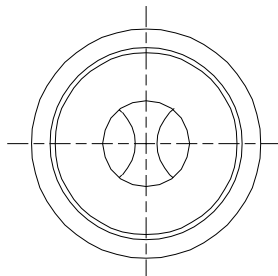
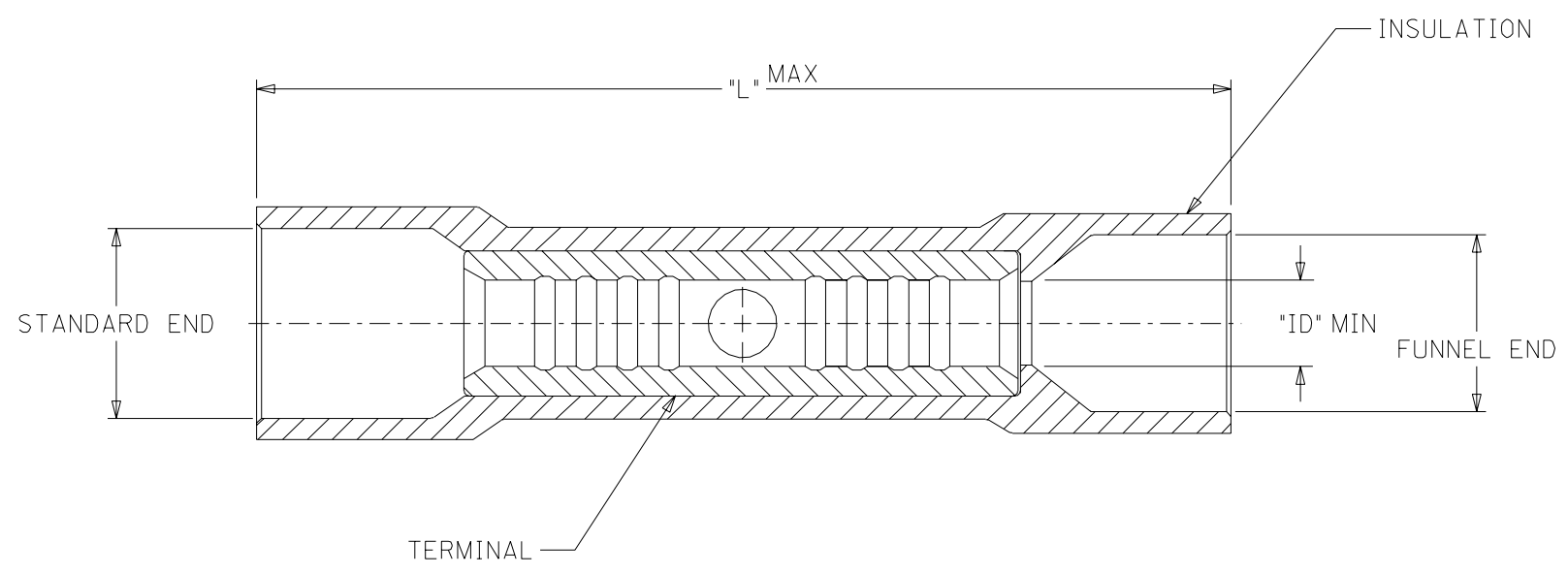


MATERIAL NUMBER	ENGINEERING NUMBER	MATERIAL NUMBER ON TAPE	ENGINEERING NUMBER ON TAPE	WIRE SIZE AWG	INSULATION COLOR	TERMINAL ID MIN	MAX. WIRE INSUL. DIA.		LENTH "L" MAX	"H" ±.010/0.25
							STANDARD END	FUNNEL END		
192020063	A-945-DK	192020007	A-945-DKT	18-22	DK RED	.062/1.57	.161/4.09	.147/3.74	1.070/27.18	1.522/38.67
192020019	B-931-DK	192020021	B-931-DKT	14-16	DK BLUE	.081/2.57	.199/5.05	.185/4.70	1.070/27.18	1.524/38.71
192020039	C-946-DK	192020041	C-946-DKT	10-12	DK YELLOW	.131/3.33	.276/7.01	.261/6.63	1.150/29.21	1.561/39.65



SALES DRAWING

- NOTES:
 1. MATERIAL: COPPER.
 2. PLATING: ELECTRON-TIN.
 3. INSULATION: 6/6 NYLON

NEW RELEASE EC NO. ETC2004-0207 DRWN: BRE 04/04/23 CHK: HEB 04/04/23 APPR: RWD 04/04/23	QUALITY SYMBOLS	MAJOR =0
	CRITICAL =0	
	DESCRIPTION	
	REV	A

GENERAL TOLERANCES: (UNLESS SPECIFIED)	SCALE 4:1	DESIGN UNITS <input type="checkbox"/> mm <input checked="" type="checkbox"/> INCH
4 PLACES ±0. ±.	DRAWN BY & DATE BRE 04/04/20	TITLE: FUNNEL ENTRY NYLON BUTTED BUTT SPLICES
3 PLACES ±0. ±.005	CHECKED BY & DATE HEB 04/04/20	MOLEX INCORPORATED
2 PLACES ±0.13 ±.01	APPROVED BY & DATE RWD 04/04/20	MATERIAL NO. SEE CHART DRAWING NO. SD-19202-002
1 PLACE ±0.25 ±.	ANGULAR: ±1/2 °	SHEET NO. 1 OF 1
DRAFT WHERE APPLICABLE MUST REMAIN WITHIN DIMENSIONS		SIZE B

THIRD ANGLE PROJECTION	THIRD ANGLE PROJECTION
CAD FILENAME SD-19202-002 .DGN	THIS DRAWING CONTAINS INFORMATION THAT IS PROPRIETARY TO MOLEX INCORPORATED AND SHOULD NOT BE USED WITHOUT WRITTEN PERMISSION.

DIMENSIONS: <input type="checkbox"/> mm <input checked="" type="checkbox"/> INCH <input type="checkbox"/> mm ONLY	SHT	REV
REVISE ON CAD ONLY		